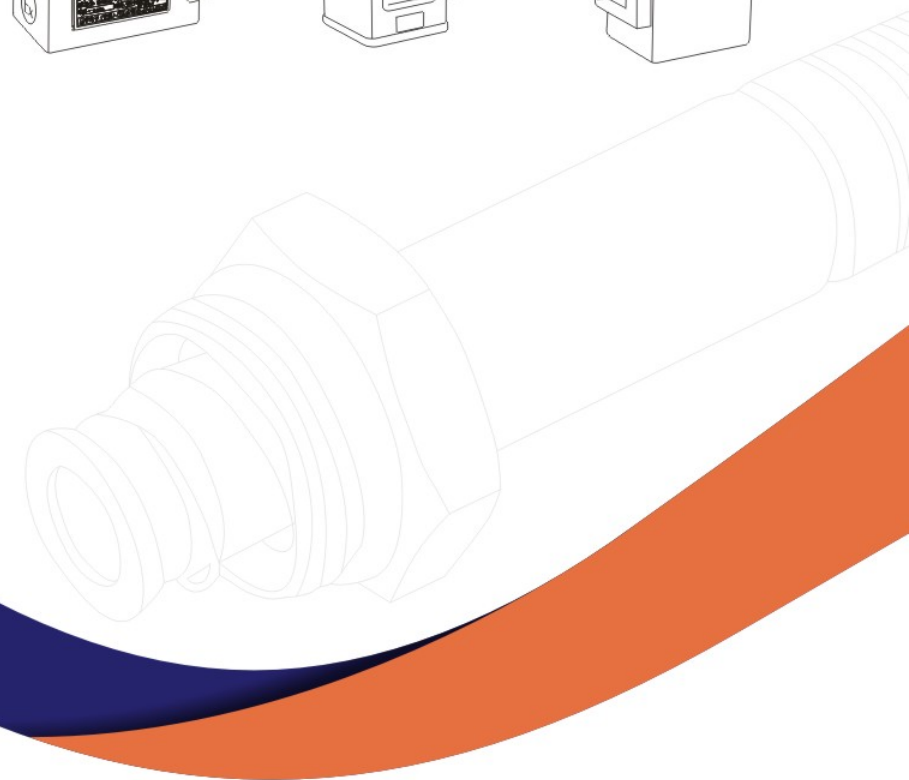
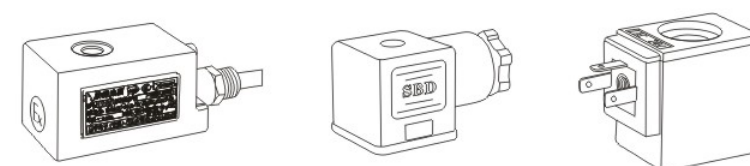




# 电磁线圈及组件 PRODUCT CATALOGUE



XINGYU 星宇

电磁线圈及组件

2025-2026



微信公众号

星宇电子(宁波)有限公司

XINGYU ELECTRON(NINGBO)CO.,LTD.

地址: 浙江省宁波市奉化区方桥街道方桥工业区计家路88号

国内销售电话: 0574-88846983

国际销售电话: 0086-574-88848608

国内传真: 0574-88846999 / 国际传真: 0086-574-87029565

邮箱: webmaster@xyelectron.com

中文网站: www.xingyunb.com

英文网站: www.xyelectron.com

专家品质 全球信赖  
Premier Quality Global Reputation



2025-2026



制造一流产品  
成就卓越品质



星宇电子（宁波）有限公司始创于1995年，是中国液气密协会气动专业分会常务副会长单位、国家液压气动标准化技术委员会气动分标委主任委员、宁波市奉化区气动行业协会第七第八届会长单位、国家级专精特新重点“小巨人”企业、国家高新技术企业，专注于自主研发、生产和销售一系列为智能制造装备配套的气动、流体控制元器件。

公司建筑面积6万余平方米，生产及检测等设备近千台。自有品牌畅销国内与全球60多个国家，多项产品已通过UL、ATEX、CE、IECEX认证并达到国际水平，在全国气动行业名列前茅。

其他气动、流体控制类产品累计取得国内、外专利170余项，其中授权发明专利30余项，软件著作权10余件，已主持或参与国家及行业标准10余项。近年来，先后承接宁波市“科技创新2025”重大专项2项，2020年国家科技部“科技助力经济2020”重点专项、2021年国家工信部产业技术基础公共服务平台—关键零部件创新成果产业化公共服务平台建设单位。

在同行业中率先通过ISO9001质量体系、IATF16949汽车行业质量体系、GJB9001C-2017质量体系、14001环境管理体系、45001职业健康安全管理体系、知识产权管理体系以及国军标体系认证，先后被评为宁波市名牌产品、浙江省著名商标、液气密协会气动分会十三五“科技创新突出贡献奖”、2020年获第二批专精特新“小巨人”企业、2021年获首批重点“小巨人”企业、宁波市出口名牌、军工保密资格单位，宁波市企业研究院，2022年被评为国家知识产权优势企业、浙江省知识产权示范企业，2023年被评为浙江省数字化车间。

自成立以来，凭借着优良的技术产品，在业内口碑信誉良好，受到了业内人士和客户的一致好评。同时公司注重人才培养与技术研发的投入，注重产学研合作带动创新发展，公司与各大专院校积极开展合作研究与交流学习，并共建联合创新实验室。此外，公司建有流体自控元件省级高新技术企业研究开发中心、省级博士后工作站、宁波市企业研究院。

星宇电子将秉承“工业强基乃强国根基，做好产品以振兴民族”的企业使命，以严谨、创新的企业理念，对产品质量保持高标准、高要求，在智能制造行业做精做专，为相关产业提供更优质的产品，走出一条由加工制造到智能制造，由要素驱动到价值创造的发展之路。

XINGYU ELECTRON (NINGBO) CO., LTD. was founded in 1995. It serves as the Executive Vice Chairman unit of the Pneumatic Branch of the China Hydraulic and Pneumatic Seal Industry Association, Chairman of the Pneumatic Sub-committee of the National Technical Committee for Hydraulic and Pneumatic Standardization, and Chairman of the 7th and 8th sessions of the Fenghua District Pneumatic Industry Association in Ningbo. It is also recognized as a National "Little Giant" enterprise for specialization, refinement, differentiation, and innovation, and a National High-Tech Enterprise. The company is dedicated to the independent research, development, production, and sales of a wide range of pneumatic and fluid control components for intelligent manufacturing equipment.

With a building area of over 60,000 square meters and nearly a thousand production and testing equipment units, the company's proprietary brand is widely sold in China and exported to more than 60 countries worldwide. Many of its products have obtained UL, ATEX, CE, and IECEX certifications, meeting international standards and ranking among the top in the domestic pneumatic industry.

To date, the company has obtained more than 170 domestic and international patents related to pneumatic and fluid control products, including over 30 authorized invention patents and more than 10 software copyrights. It has led or participated in the drafting of more than 10 national and industry standards. In recent years, the company has undertaken two major projects under the "Science and Technology Innovation 2025" initiative in Ningbo, a key special project under the Ministry of Science and Technology's "Technology Boosts Economy 2020" initiative, and was selected as a core platform construction unit for the Ministry of Industry and Information Technology's key innovation achievements transformation platform in 2021.

XINGYU has been a pioneer in its industry, achieving certifications for ISO9001 Quality Management System, IATF16949 Automotive Quality Management System, GJB9001C-2017 Military Quality Management System, ISO14001 Environmental Management System, ISO45001 Occupational Health and Safety Management System, Intellectual Property Management System, and National Military Standards. The company has received numerous honors, including Ningbo Famous Brand Product, Zhejiang Famous Trademark, "Outstanding Contribution to Technological Innovation during the 13th Five-Year Plan" by the Pneumatic Branch of the Fluid Power Association, second batch of National "Little Giant" enterprises in 2020, first batch of key "Little Giant" enterprises in 2021, Ningbo Export Brand, Level-3 Military Confidentiality Qualification Unit, Ningbo Enterprise Research Institute, and in 2022, recognized as a National Intellectual Property Advantage Enterprise and a Zhejiang Intellectual Property Model Enterprise. In 2023, it was designated as a Zhejiang Digital Workshop.

Seizing the opportunities of "Digital Industrialization and Industrial Digitalization," XINGYU launched the first domestic B2B platform in the pneumatic industry—GONGXINGREN Industrial IoT Platform—in May 2020. "GONGXINGREN" integrates top industry products with a comprehensive supply chain and is committed to driving industrial innovation. It has built a unique "6+1" model and uses big data and intelligent technology to promote innovation-driven development. The platform creates a smart, dynamic ecosystem offering full industry chain services both online and offline, enabling efficient connectivity among industry enterprises.

Since its establishment, the company has earned a strong reputation in the industry with its high-quality technical products, receiving consistent praise from both professionals and customers. We place great importance on talent development and technological innovation, actively promoting industry-university-research collaboration. The company works closely with various universities on joint research and academic exchange, and has established co-innovation laboratories. Additionally, we have set up a provincial-level high-tech enterprise R&D center, a provincial postdoctoral workstation, and a Ningbo municipal enterprise research institute.

Guided by the mission of "A strong industrial foundation is the cornerstone of a powerful nation; delivering quality products to revitalize the nation," XINGYU remains committed to its values of rigor and innovation. With high standards and strict requirements for product quality, the company strives to specialize and excel in the intelligent manufacturing sector, delivering superior products for related industries and paving the way from traditional manufacturing to intelligent production—shifting from factor-driven to value-driven growth.

# > 企业荣誉

星宇电子自主品牌、自有工厂、研发生产一体化，我们的证书代表的不仅是荣誉，更有质量，诚信，智能的代名词！

专家品质 全球信赖  
PREMIER QUALITY GLOBAL REPUTATION



## 生产设备 Product equipment

星宇人不仅用成熟的设备和工艺保证了高效的工作效率，更运用先进的精密仪器和完善的质量管理方法，从而保证了星宇产品的坚实品质。

The people of Xingyu not only with sophisticated equipment and technology to ensure the efficient work efficiency and more use of advanced precision instruments and perfect quality management methods, thus ensuring the quality of Xingyu solid product.



■ XINGYU



一丝不苟 打造精品  
Meticulous To Create Masterpiec



“以实力铸造奇迹，以锐利开创未来”的工作态度，根植于星宇的每一道工序中，星宇人高度负责的用心溶于每件产品，加上先进的制造设备和严格的科学化管理，使每一个生产的产品经得住客户的精挑细选。

The "strength casting miracle to sharp create the future" quality, rooted in Xing Yu every step, Xing Yu highly responsible person's intentions dissolve each product, coupled with advanced manufacturing equipment and strict scientific management, so that each client's products are carefully selected to withstand.



一站式服务/ONE STOP SHOP

## 一、电磁线圈 COILS

### 1、防爆线圈 Explosion-proof Coil



SB280 0980, 0981    SB1253 0980B, 0981B    SB580 EX09301C



SB543 1480, 1481    SB282 1680, 1681    SB544 1780, 1781



SB1197 EX0930M    SB542 1280, 1281    SB281 1380, 1381



SB545 2080, 2081    SB1191 EX0935

### 2、塑封类线圈 Thermoplastic Coils

#### 内孔规格 Orifice Size $\phi 6mm$



SB559 XY1005    SB817 QVT305X    SB867 QVT306



SB706 ZY06382

#### 内孔规格 Orifice Size $\phi 7mm$



SB1183 XY0727-2X    SB1192 XY07232

#### 内孔规格 Orifice Size $\phi 8mm$



SB071 4V110A    SB578F AU4V110X    SB578 AU4V110



SB572 4V110-15    SB583 3130H    SB788 3130J



SB1076 AU4V110-B    SB1254 4V110平行式    SB561 4V110-G



SB977 3130L    SB1022 3130M    SB1013 JVT307-11

#### 内孔规格 Orifice Size $\phi 8mm$



SB1128 JVT307-11-C    SB052 08210    SB525 08210X

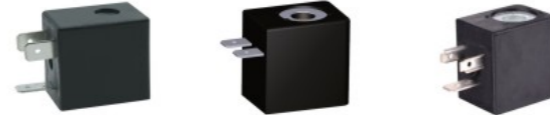


SB1120 X27236

#### 内孔规格 Orifice Size $\phi 9mm$



SB075 4V210    SB579 AU4V210    SB712 AM210



SB241 NB09    SB1159 4V210-L    SB490 RE-210F



SB796 HT09252B    SB813 HT09252C    SB1255 4V210(平行式)



SB1175 XY09313-08    SB1176 XY09313-09    SB1063 XY09162



SB1160 3130D-X    SB442 3130E    SB444 3130F



SB740 210D-8    SB780 XY08302    SB1020 X23722



SB294 210B    SB285-9 XY1030-9    SB1162 210D-9



SB1068 XY09302    SB1180 XY09302B    SB1247 TDSV-P3



SB1252 4V210-HM    SB920 XH210    SB790 ABS3550



SB579F AU4V210X    SB079 3130C    SB080 3130D



SB1032 AU4V210-1X    SB1236 AU4V210G-1X    SB948 3130-1X

# PRODUCT CATALOGUE 产品目录

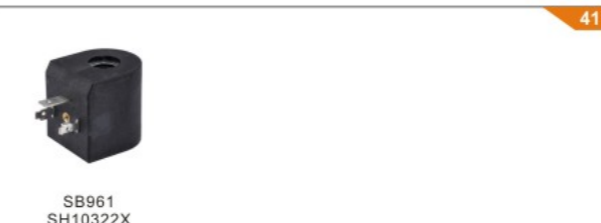
## 内孔规格 Orifice Size $\phi 9\text{mm}$



## 内孔规格 Orifice Size $\phi 10\text{mm}$



## 内孔规格 Orifice Size $\phi 10\text{mm}$



## 内孔规格 Orifice Size $\phi 11\text{mm}$



## 内孔规格 Orifice Size $\phi 12\text{mm}$



# PRODUCT CATALOGUE 产品目录



## 内孔规格 Orifice Size $\phi 12\text{mm}$



SB1016 XY12372    SB1158 XY13362    SB500 XY13322B



SB248 FDF    SB718 ERB

## 内孔规格 Orifice Size $\phi 13\text{mm}$



SB822 CS3A    SB833 CS4A    SB537 XY13322D



SB497 SF08    SB518 XY5P13    SB958 XY5P13-B



SB935 SL13372D    SB276 13372    SB848 XY13372-A



SB275 13373    SB524 XY13373X    SB048 YY-A



SB555 CS13392    SB839 CS13392-2    SB242 HB700



SB904 XY11472D    SB504 XY12292X    SB069 ZQ-B



SB823 HS3Y    SB824 HS3G    SB520 BN13353



SB722 SL13372    SB826 SL13372B    SB894 SL13372C



SB901 XY13372X    SB1133 XY13372-1X    SB776 SK13372S



SB514 IH13383    SB515 IH13382    SB1249 XY13382L



SB842 LV13392    SB1126 LV13392-A    SB1134 LV13392-1X

## 内孔规格 Orifice Size $\phi 13\text{mm}$



SB1087 LV13392-2X    SB912 XY13393    SB1088 XY13393-TK



SB496 SV98    SB951 JF13402X    SB850 BY13402



SB486 GEM13403    SB739 GEM13403B    SB758 RV13403



SB050 0200    SB051 0200B    SB547 0200D



SB1057 0200HX    SB917 HT0200    SB831 HS4Y



SB757 PK13422W    SB564 PK13422X    SB428 0210B



SB794 XY13512    SB873 XY13503    SB803 AB310X



SB488 C13TH24/14    SB519 XY5M13    SB795 XY5M13-1



SB548 SHY13402X    SB820 DB13403    SB949 XY13402



SB895 XY13503-B    SB922 RB200    SB1232 RB200B



SB1011 0200F    SB1010 0200G    SB1211 0200X



SB832 HS4G    SB883 XY13413    SB884 XY13412X



SB1056 0210E    SB735 0210C    SB1242 0210J



SB054 AB310    SB1034 AB310-B    SB1060 HF16522

# PRODUCT CATALOGUE 产品目录



## 内孔规格 Orifice Size $\phi 13\text{mm}$



SB1169  
HF16632

81

## 内孔规格 Orifice Size $\phi 14\text{mm}$



SB1086  
XY14262



SB1084  
XY16332



SB090  
BU-08

82



SB1055  
XY14382B



SB1085  
XY14382C



SB1157  
XY14382D

84



SB1209  
XY14402A



SB1136  
XY14402B



SB1237  
XY14402C

86



SB734  
V2A-031



SB847  
XY11482



SB910  
XY11482B

88



SB243  
XM148



SB475  
XY148



SB999  
XY148-W

90



SB433  
TM30



SB468  
TM30



SB083  
K23D-2

92



SB911  
XY14322



SB1121  
XY14322B



SB938  
XY14382

83



SB811  
XY14382E



SB812  
XY14382F



SB799  
ZB14

85



SB1075  
IM14403X

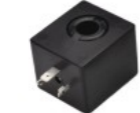


SB1031  
XY14403X



SB1141  
XY14403X-B

87



SB255  
A051



SB893  
A051EX



SB429  
XY14503

89



SB995  
XY14392



SB469  
TM35



SB08  
6BD-A-03

91



SB256  
0543



SB1216  
0543-2X



SB1156  
GTF2-08

93

## 内孔规格 Orifice Size $\phi 14\text{mm}$



SB257  
0545



SB568  
0545EX



SB737  
0121

94



SB789  
XY15302



SB1152  
XY15302F



SB1251  
XY15302-RS

96



SB1185  
XY15302X-TX



SB899  
TX15422

98

## 内孔规格 Orifice Size $\phi 15\text{mm}$



SB1082  
DM21



SB253  
2BP



SB095  
2BP-A

99



SB084  
K23D-2H



SB808  
XY15451X



SB902  
XY15453-B

101



SB1241  
15583-F



SB710  
0545-15



SB1234  
XY16452X

103

## 内孔规格 Orifice Size $\phi 16\text{mm}$



SB929  
M4050



SB055  
AB410A



SB1187  
AB410F

104



SB056  
AB410B



SB980  
AB410B-RG



SB260  
AB510

105



SB1208  
XY15512



SB1248  
XY14502



SB1243  
XY15322X

95



SB1012  
XY15302-C



SB1083  
XY15302X



SB1179  
XY15302-1X

97



SB407  
GL15393



SB1062  
XY15391X



SB546  
XY15402X

100



SB809  
XY15453-C



SB896  
HS15583-D



SB1025  
HS15583-S

102

# PRODUCT CATALOGUE 产品目录



## 内孔规格 Orifice Size $\phi 16\text{mm}$

106



108



110



112



114



## 内孔规格 Orifice Size $\phi 17\text{mm}$

115



117



107



109



111



113



116



118



## 内孔规格 Orifice Size $\phi 17\text{mm}$

119



## 内孔规格 Orifice Size $\phi 18\text{mm}$

120



122



## 内孔规格 Orifice Size $\phi 19\text{mm}$

123



## 内孔规格 Orifice Size $\phi 20\text{mm}$

124



126



121



125



127



# PRODUCT CATALOGUE 产品目录

## 内孔规格 Orifice Size $\phi 21\text{mm}$

128



SB522 XY21442 SB523 XY21443

## 内孔规格 Orifice Size $\phi 23\text{mm}$

130



SB1199 XY23502 SB785 XY23503 SB506 XY23553

## 内孔规格 Orifice Size $\phi 25\text{mm}$

132



SB527 AMC25453

## 3、非塑封类线圈 No Encapsulation Coils

134



SB996 P262 SB707 XY08322X SB596 EM15

136



SB1218 XY09342 SB1153 XY09332X SB1081 XY09222X

138



SB1205 XY13332 SB1206 XY13332-L SB945 XY13352X

## 内孔规格 Orifice Size $\phi 22\text{mm}$

129



SB412 MFZ16Y-37-02 SB1219 XY23893

## 内孔规格 Orifice Size $\phi 24\text{mm}$

131



SB1019 XY24262 SB1143 XY24352X

## 内孔规格 Orifice Size $\phi 27\text{mm}$

133



SB748 VMG55

135



SB1217 P462.A082 SB993 XY09282 SB952 XY09242X

137



SB449 102A SB816 XY11282X SB270 BD-C

139



SB063 KSD(M1B) SB815 XY13292X SB059 UD-8

140



SB871 XY15333X SB046 801-T1.2 SB060 UD-15

142



SB953 XYGJ05 SB062 US SB1226 XY26642X

## 4、浇封类线圈 Encapsulated Coils

144



SB249 F17 SB1201 XY18583

## 二、接线盒及配件 Connectors And Accessories

### DIN43650A型

147



SB201 0200 3孔 (0200 3-pin) SB202 0200 4孔 (0200 4-pin) SB203 DIN43650A-BD

149



SB210 0200一体化 (0200 Integrated) SB218 0200一体化带灯 (0200 Integrated with Light) SB223 0200S一体化 (0200S Integrated)

151



SB222 0200公插座 (0200 Male Socket)

141



SB094 Q23XD-2A SB997 XY19572X SB872 XY21453X

143



SB459 XY37502

148



SB206 0200T 3孔 (0200T 3-pin) SB207 0200T 4孔 (0200T 4-pin) SB211 0200整流 (0200 Rectified)

150



SB214-3 F4-3公插座 (F4-3 Male Socket) SB214-4 F4-4公插座 (F4-4 Male Socket) SB224 F5公插座 (F5 Male Socket)

# PRODUCT CATALOGUE 产品目录

## 工业B型 Industrial Form B

152



SB204 210  
SB205 210T  
SB213 210一体化 (210 Integrated)

## 工业C型 Industrial Form C

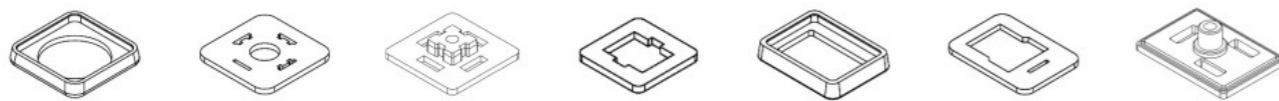
153



SB208 110 3孔 (110 3-pin)  
SB209 110 4孔 (110 4-pin)  
SB217-3 110 公插座 (110 Male Socket)

## 橡胶垫 Gasket

154



DIN43650A  
DIN43650A  
DIN43650A  
工业C型 Industrial Form C  
工业B型 Industrial Form B  
工业B型 Industrial Form B  
工业B型 Industrial Form B

## 三、电子定时器 Digital electronic timers

155



XY-11

156



XY-720A  
SMD-720

157



XY-790

158



XY-3801

## 四、电磁组件 Aramture Sets

### 外径/Outer Diameter $\phi 8mm$

159



SB6601 SB601B  
SB6602 SB602  
SB6697 K52-C  
08210  
SB605-8 08210-A

### 外径/Outer Diameter $\phi 9mm$

161



SB6603 SB603/210  
SB6603 SB603/210-A  
SB6604 SB604  
SB6603 SB603CK  
SB6605 SB605  
SB6606 SB606  
SB6605 SB605CK

### 外径/Outer Diameter $\phi 10mm$

163



SB6632 XY1030-AR  
SB6854 XT10342

### 外径/Outer Diameter $\phi 11mm$

164



SB6630 A044

### 外径/Outer Diameter $\phi 11.5mm$

164



SB6655 XT11464

### 外径/Outer Diameter $\phi 12mm$

165



SB6638 CY123

### 外径/Outer Diameter $\phi 13mm$

165



SB6856 XT13415  
SB6856 XT13415B  
SB6614 0927-卡簧式  
SB6615 0927-螺纹式  
SB6613 SB613B

### 外径/Outer Diameter $\phi 14mm$

167



SB6631 A051-AC

### 外径/Outer Diameter $\phi 14.5mm$

167



SB6620 CS-720NC  
RV22020-B  
RV23015-B  
SB6634 FX04H

### 外径/Outer Diameter $\phi 16mm$

168



2W160-15XY

### 外径/Outer Diameter $\phi 20mm$

169



XY472-A

产品概述 Product Overview

本公司生产的防爆线圈孔径有9mm、12mm、13mm、14mm、16mm、17mm和20mm多个规格，防爆性能符合GB/T 3836.1、GB/T 3836.9、GB/T 3836.2、GB/T 3836.31，所有产品通过国内防爆认证，部分产品通过IECEx国际防爆认证及欧盟ATEX防爆认证及SIL3认证。

Our explosion-proof coils are available in bore sizes of 9mm, 13mm and 16mm. The explosionproof performance complies with EN IEC 60079-0 and EN IEC 60079-18 standards. All products have obtained domestic explosion-proof certification, and some have also achieved IECEx international explosion-proof certification, EU ATEX explosion-proof certification, and SIL3 certification.

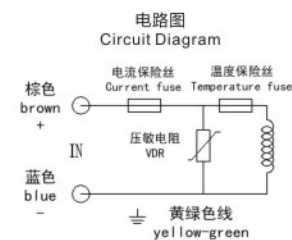
适用范围 Applications

- 气体环境：适用于存在IIA、IIB、IIC类爆炸性气体环境的1区、2区危险场所，例如石油、化工、天然气、制药等行业。
- 粉尘环境：适用于存在可燃性粉尘环境的21区、22区危险场所，例如粮食加工、木材加工、金属加工等行业。
- Gas Environments: Suitable for Zone 1 and Zone 2 hazardous areas with explosive gases of Class IIA, IIB, or IIC, such as petroleum, chemical, natural gas, and pharmaceutical industries.
- Dust Environments: Suitable for Zone 21 and Zone 22 hazardous areas with combustible dust, such as grain processing, wood processing, and metalworking industries.

注意事项 Precautions

- 安装前检查是否有防爆标志、CCC标志、防爆合格证编号，安装时应核对电源、电压。
- 检查或维修时必须切断电源。
- 线圈引入电缆为3芯线，其中黄绿双色线为接地线，其余两线接电源，棕色线接正极，蓝色线接负极。
- 引入电缆接线处必须相应采取防爆措施并检查各线连接是否可靠，电缆的自由端在危险场所连接时，必须采用与使用环境相适应的防爆接线盒作过渡，并接入防爆产品内部。
- 防爆线圈内设有安全保护装置，当使用电压超过额定电压20%以上时，会引起保护装置动作，导致线圈永久性断路。
- 防爆线圈内部装有不可恢复温度保险丝，当防爆线圈出现故障引起温度超标时，保险丝立即熔断，导致永久失效。
- 安装现场不存在对产品外壳有腐蚀作用的气体。
- 用户不得自行更换产品的零部件，应会同产品制造商共同解决运行中出现的故障，以杜绝损坏现象的发生。
- 塑料外壳线圈应避免冲击、避免暴露在紫外线（UV）光照中。
- 电缆标准长度为1.5米，其他长度可定制。
- 产品的安装、使用和维护应同时遵守使用说明书及：
  - GB/T 3836.13 爆炸性环境第13部分：设备的修理、检修、修复和改造。
  - GB 3836.15 爆炸性环境第15部分：电气装置的设计、选型和安装。
  - GB 3836.16 爆炸性环境第16部分：电气装置的检查与维护。
  - GB 50257 电气装置安装工程爆炸和火灾危险环境电气装置施工及验收规范。

- Before installation, check for explosion-proof markings, CCC markings, and explosion-proof certification numbers. Verify the power supply and voltage during installation.
- Always disconnect the power supply before inspection or maintenance.
- The coil's incoming cable consists of three wires: the yellow-green wire is the ground wire, the brown wire connects to the positive terminal, and the blue wire connects to the negative terminal.
- Explosion-proof measures must be applied at the cable connection points, and all connections should be checked for reliability. In hazardous environments, the free end of the cable must be connected using an explosion-proof junction box suitable for the environment and linked to the explosion-proof product's interior.
- The explosion-proof coil is equipped with a safety protection device. If the operating voltage exceeds 20% of the rated voltage, the device will activate, causing permanent disconnection of the coil.
- The explosion-proof coil contains a non-resettable thermal fuse. If a malfunction causes excessive temperature, the fuse will melt immediately, rendering the coil permanently inoperable.
- Ensure no corrosive gases are present in the installation environment that could damage the product's housing.
- Users must not replace components on their own. Any operational issues should be resolved in collaboration with the manufacturer to prevent damage.
- Plastic-housed coils should avoid impact and exposure to ultraviolet (UV) light.
- The standard cable length is 1.5 meters, but custom lengths are available.
- Installation, use, and maintenance must comply with the user manual and the following standards:
  - >EN IEC 60079-19 Explosive atmospheres – Part 13: Equipment repair, overhaul, and reclamation.



防爆标志说明(气体) Explosion-proof Marking Instruction(Gas)

Ex mb(db) IIC T4(T6) Gb

设备保护级别(EPL), G为gas的首字母代表爆炸性气体环境用设备, b表示保护等级的高低, 从高到低分为a、b和c三级。  
Gb适用于1区和2区。

区域	设备保护级别(EPL)
0	Ga
1	Ga 或 Gb
2	Ga、Gb 或 Gc

II类电气设备的温度组别, 最高表面温度的限制, 也适用于拟使用环境中的具体气体的点燃温度, 分为T1~T6, 气体温度组别具体可参阅GB/T 3836.11

温度级别	最高表面温度	气体或蒸气的引燃温度	允许的设备温度组别
T1	450	> 450	T1~T6
T2	300	> 300	T2~T6
T3	200	> 200	T3~T6
T4	135	> 135	T4~T6
T5	100	> 100	T5~T6
T6	85	> 85	T6

T4适用于T1~T4(T6适用于T1~T6)。

设备分类, II类设备用于煤矿瓦斯气体环境之外的其他爆炸性气体环境, A、B和C是按照拟使用的爆炸性气体环境特性的进一步分类, 具体可参阅GB/T 3836.11。

场所气体或蒸气分类	允许的设备类别
IIA	IIA、IIB或IIC
IIB	IIB或IIC
IIC	IIC

IIC适用于IIA、IIB和IIC气体。

mb: 浇封型电气设备, 保护等级为mb(db: 隔爆型电气设备, 保护等级为db), 对应设备保护级别(EPL)为Gb。

防爆标记, 防爆英文单词 explosion-proof 的缩写, 表明设备符合一个或多个防爆型式(有隔爆外壳d, 增安型e, 本安型, 浇封型m等)。

Ex mb IIC T4 Gb

Equipment protection level [EPL] for explosive gas atmospheres. Gb is suitable for Zone 1 and Zone 2.

Zone	Equipment Protection Level(EPL)
1	Ga 或 Gb
2	Ga、Gb 或 Gc

For gas temperature classes, refer to ISO/IEC 80079-20-1. T4 is suitable for T1 to T4.

Temperature	Maximum surface temperature
T1	450
T2	300
T3	200
T4	135

Equipment grouping, equipment marked IIC is suitable for applications requiring Group IIA or Group IIB equipment.

Gas or Vapor Classification	Permitted Equipment Category
IIA	IIA、IIB或IIC
IIB	IIB或IIC
IIC	IIC

Encapsulation (for EPL Gb)

The symbol Ex, which indicates that the Ex Equipment corresponds to one or more of the type of protection (EN IEC 60079-0).

» 防爆标志说明(粉尘) Explosion-proof Marking Instruction(Dust)

Ex mb(tb) III C T130°C(T80°C) Db

设备保护级别(EPL), D为dust的首字母, 代表爆炸性粉尘环境用设备, b表示保护等级的高低, 从高到低分为a、b和c三级。  
Db适用于21区和22区。

区域	设备保护级别(EPL)
20	Da
21	Da 或 Db
22	Da、Db 或 Dc

最高表面温度  
(由相关粉尘的最低点燃温度减去安全裕度)

设备分类, III类设备用于煤矿之外的其他爆炸性粉尘环境, A、B和C是按照拟使用的爆炸性粉尘环境特性的进一步分类, IIIA类代表可燃性飞絮, IIIB类代表非导电性粉尘, IIIC类代表导电性粉尘。  
IIIC适用于IIIA、IIIB和IIIC环境。

粉尘分类	允许的设备类型
IIIA	IIIA、IIIB 或 IIIC
IIIB	IIIB 或 IIIC
IIIC	IIIC

mb: 浇封型电气设备, 保护等级为mb(tb: 防粉尘点燃外壳 “t” 型电气设备, 保护等级为tb), 对应设备保护级别(EPL)为Db。

防爆标记

Ex tb III C T130°C Db

Equipment protection level [EPL] for explosive dust atmospheres. Db is suitable for Zone 21 and Zone 22.

Zone	Equipment Protection Level
20	Da
21	Da or Db
22	Da、Db or Dc

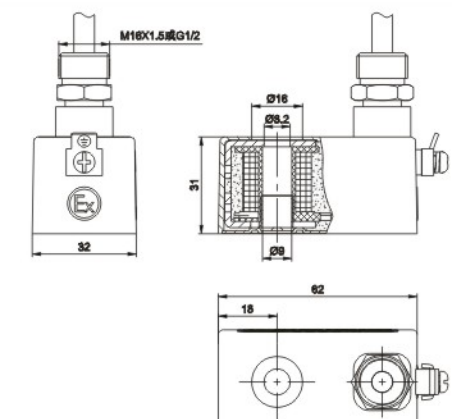

The maximum surface temperature.

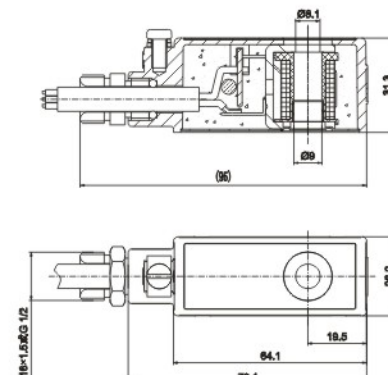

Equipment grouping, equipment marked III C is suitable for applications requiring Group IIIA or Group IIIB equipment.

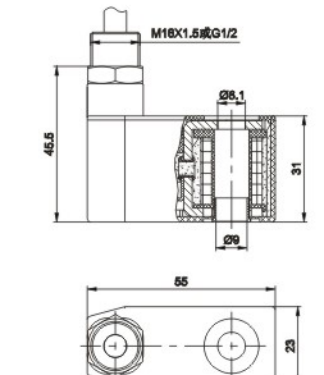

Protection by enclosure (for EPL Db)

The symbol Ex, which indicates that the Ex Equipment corresponds to one or more of the type of protection (EN IEC 60079-0).

Dust Classification	Permitted Equipment Category
IIIA	IIIA、IIIB 或 IIIC
IIIB	IIIB 或 IIIC
IIIC	IIIC

产品编号 Product No.	SB280	外形图 Outside View	常规电压 Normal Voltage	AC220V、AC110V、DC12V、DC24V
产品型号 Product Type	0980、0981		常规功率 Normal Power	AC 5.5VA DC 4W
浇封型孔径: Φ9mm Encapsulation "m" Φ9mm			防爆标志 Ex Mark	Ex mb II C T4 Gb Ex mb III C T130°C Db
			线圈连接方式 Connection Type	电缆线 Cable 3x0.75mm <sup>2</sup> , 1.5m
			CCC证书号 CCC certificate No.	2020312307000017
			防爆合格证号 Ex-proof certificate No.	CNEx22.3963X CNEX 17 ATEX 0005X IECEX CNEX17.0006X

产品编号 Product No.	SB1253	外形图 Outside View	常规电压 Normal Voltage	AC220V、DC24V
产品型号 Product Type	0980B、0981B		常规功率 Normal Power	AC 5VA DC 4W
浇封型孔径: Φ9mm Encapsulation "m" Φ9mm			防爆标志 Ex Mark	Ex mb II C T4 Gb Ex mb III C T130°C Db
			线圈连接方式 Connection Type	电缆线 Cable 3x1.0mm <sup>2</sup> , 1.5m
			CCC证书号 CCC certificate No.	2020312307000017
			防爆合格证号 Ex-proof certificate No.	CNEx24.5797X

产品编号 Product No.	SB580	外形图 Outside View	常规电压 Normal Voltage	AC220V、AC110V、DC12V、DC24V
产品型号 Product Type	EX09301C		常规功率 Normal Power	AC 5VA DC 5W
浇封型孔径: Φ9mm Encapsulation "m" Φ9mm			防爆标志 Ex Mark	Ex mb II C T4 Gb Ex mb III C T130°C Db
			线圈连接方式 Connection Type	电缆线 Cable 3x0.75mm <sup>2</sup> , 1.5m
			CCC证书号 CCC certificate No.	2020312307000017
			防爆合格证号 Ex-proof certificate No.	CNEx22.3962X CNEX 17 ATEX 0005X IECEX CNEX17.0006X



产品编号 Product No.	SB545	外形图 Outside View	常规电压 Normal Voltage	AC220V、AC110V、 DC12V、DC24V		
产品型号 Product Type	2080、 2081		常规功率 Normal Power	AC	50VA	
浇封型孔径： $\phi$ 20mm Encapsulation "m" $\phi$ 20mm			DC	18W		
			防爆标志 Ex Mark	Ex mb IIC T4 Gb Ex mb III C T130°C Db		
			线圈连接方式 Connection Type	电缆线 Cable 3x1.0mm <sup>2</sup> , 1.5m		
			CCC证书号 CCC certificate No.	2020312307000017		
			防爆合格证号 Ex-proof certificate No.	CNEx22.3961X		

产品编号 Product No.	SB1191	外形图 Outside View	常规电压 Normal Voltage	AC220V、AC110V、AC24V、 DC12V、DC24V		
产品型号 Product Type	EX0935		常规功率 Normal Power	AC	4VA	
隔爆型孔径： $\phi$ 9mm Flameproof enclosures "d" $\phi$ 9mm			DC	4W		
			防爆标志 Ex Mark	Ex db IIC T6 Gb Ex tb III C T80°C Db		
			线圈连接方式 Connection Type	M20X1.5 or NPT 1/2		
			CCC证书号 CCC certificate No.	2023312307000391		
			防爆合格证号 Ex-proof certificate No.	CNEx22.3774X		

» **说明 Description**

我公司生产的电磁线圈广泛应用于气动、液压、流体控制阀、电器、汽车、自动化领域和灌溉行业等领域，吸收了德、意、美、日等国外多家电磁线圈制造厂的先进理念，结合国内实际，开发出一系列有代表性的产品，包覆材料有热塑性塑料、热固性塑料及环氧树脂等；电气连接方式有：DIN43650A、B、C型（EN 175301-803）标准、工业B、C型、汽车接口、引线式等多种形式。已为国内外多家知名气动、液压、流体控制等企业配套供应。

注：本册为本公司具有代表性之简明说明，未列出全部产品，部分产品为客户定制，详情敬请垂询。

Our company produces electromagnetic coils that are widely used in pneumatic, hydraulic, fluid control valves, electrical appliances, automotive, automation, and irrigation industries. By incorporating advanced concepts from leading electromagnetic coil manufacturers in Germany, Italy, the United States, and Japan, and adapting them to domestic conditions, we have developed a series of representative products. The encapsulation Materials include thermoplastic, thermosetting plastics, and epoxy resin. Electrical connection options include: DIN 43650 A, B, and C types (EN 175301 - 803 standard), industrial B and C types, automotive interfaces, lead wires and more. We supply these products to renowned domestic and international companies in pneumatic, hydraulic, and fluid control industries.

Note: This brochure provides a concise overview of our representative products. Not all products are listed, and some are custom-made for clients. For more details, please feel free to contact us.

» **产品特点 Product characteristic**

- 采用通过UL认证的高品质漆包线。
- 采用低碳高导磁钢作为导磁材料。
- 定点特制的PA66、PBT、PPS、BMC等包覆材料，确保产品质量。
- 电磁线圈的绝缘等级达155级(F)、180级(H)、200级(N)、220级(R)。
- 电磁线圈的防护等级达IP65、IP67及IP69K。
- 另有节能设计产品和水下用的防水电磁线圈等特种系列供您选择。
- 如您有特殊电压、功率、电源频率、外表颜色及引线长度均可定制。
- High-quality enameled wire certified by UL.
- Low-carbon, high-permeability steel used as the magnetic core Material.
- Custom-made encapsulation Materials such as PA66, PBT, PPS, and BMC to ensure product quality.
- Insulation class of electromagnetic coils: Class 155 (F), 180 (H), 200 (N), and 220 (R).
- Protection class of electromagnetic coils: IP65, IP67, and IP69K.
- Special series available, including energy-saving designs and waterproof electromagnetic coils for underwater use.
- Customization options for special voltage, power, frequency, exterior color, and lead wire length.

产品编号 Product No.	SB559	外形图 Outside View	包覆材料类型 Type Of Coating Material	热固类 Thermosetting coils		
产品型号 Product Type	XY1005		常规电压 Normal Voltage	DC110V		
			常规功率 Normal Power	AC	—	
			DC	30W		
			线圈连接方式 Connection Type	插片式 Pin type		
			连接件规格 Connector Specifications	2.8X0.5-2P		

产品编号 Product No.	SB817	外形图 Outside View	包覆材料类型 Type Of Coating Material	热固类 Thermosetting coils
产品型号 Product Type	QVT305X		常规电压 Normal Voltage	DC24V
常规功率 Normal Power	AC	—	线圈连接方式 Connection Type	引线式 With Flying leads
	DC	5.5W		
连接件规格 Connector Specifications	22AWG/0.32mm <sup>2</sup> , 300mm			

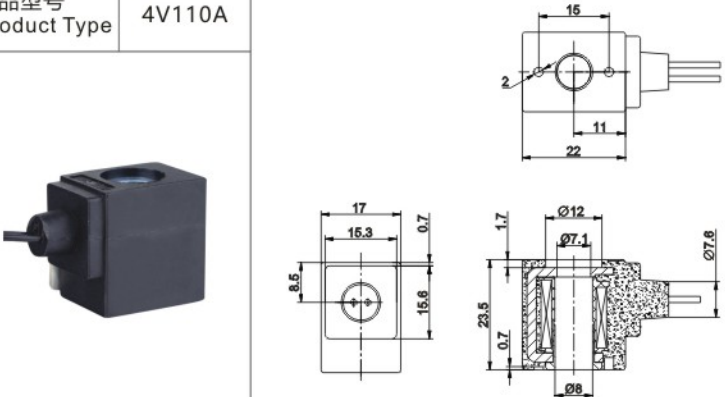
产品编号 Product No.	SB1183	外形图 Outside View	包覆材料类型 Type Of Coating Material	热塑类 Thermoplastic coils
产品型号 Product Type	XY0727-2X		常规电压 Normal Voltage	DC12V
常规功率 Normal Power	AC	—	线圈连接方式 Connection Type	引线式 With Flying leads
	DC	1.9W		
连接件规格 Connector Specifications	22AWG/0.32mm <sup>2</sup> , 145mm			

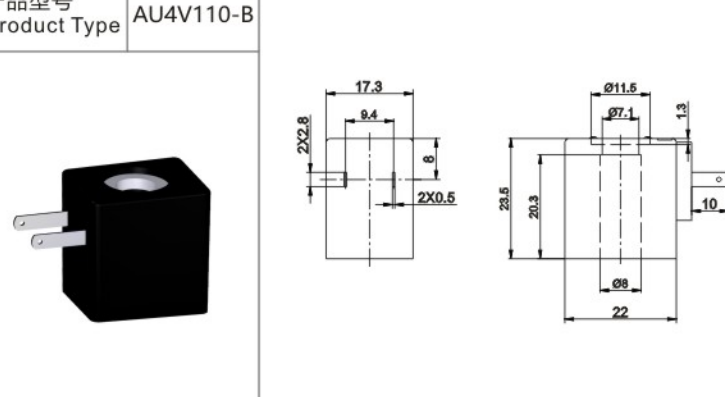
产品编号 Product No.	SB867	外形图 Outside View	包覆材料类型 Type Of Coating Material	热固类 Thermosetting coils
产品型号 Product Type	QVT306		常规电压 Normal Voltage	RAC110V、RAC220V、DC24V
常规功率 Normal Power	AC	4W	线圈连接方式 Connection Type	插片式 Pin type
	DC	5.5W		
连接件规格 Connector Specifications	DIN43650C			

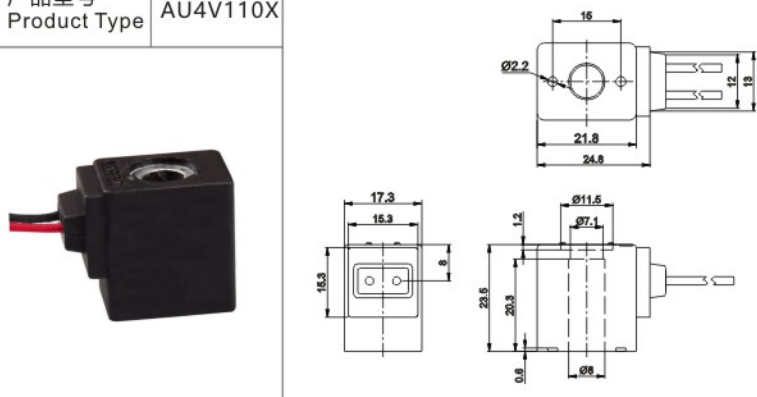
产品编号 Product No.	SB1192	外形图 Outside View	包覆材料类型 Type Of Coating Material	热塑类 Thermoplastic coils
产品型号 Product Type	XY07232		常规电压 Normal Voltage	DC12V
常规功率 Normal Power	AC	—	线圈连接方式 Connection Type	接插式 Meet & Insert Type
	DC	72W		
连接件规格 Connector Specifications	AMP 282080-1 AMP 2435050-1			

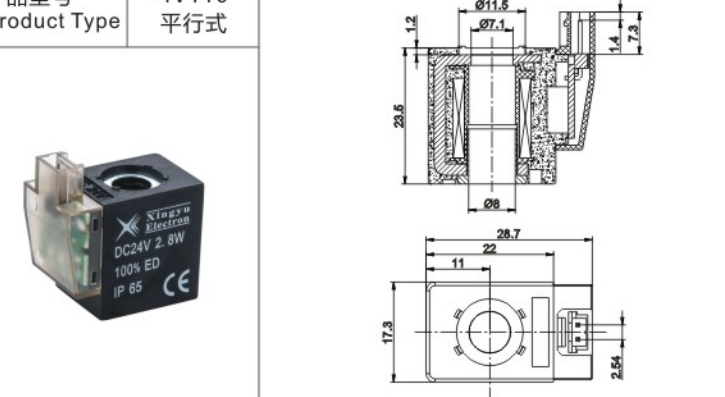
产品编号 Product No.	SB706	外形图 Outside View	包覆材料类型 Type Of Coating Material	热塑类 Thermoplastic coils
产品型号 Product Type	ZY06382		常规电压 Normal Voltage	DC12V、DC24V、AC110V、AC220V
常规功率 Normal Power	AC	5VA	线圈连接方式 Connection Type	插片式 Pin type
	DC	3W、6.5W		
连接件规格 Connector Specifications	6.3-2P			

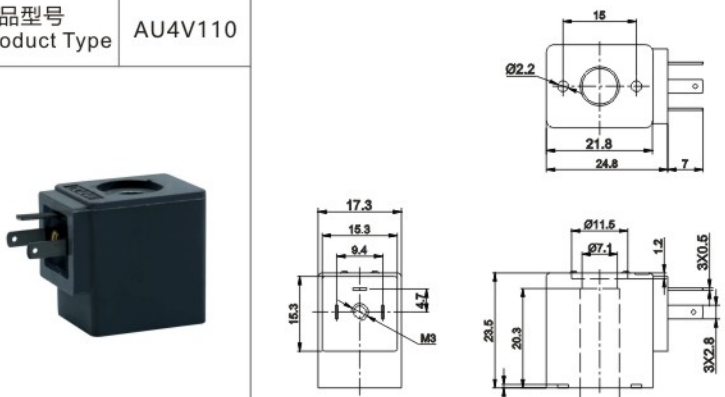
塑封类线圈  
Thermoplastic Coils

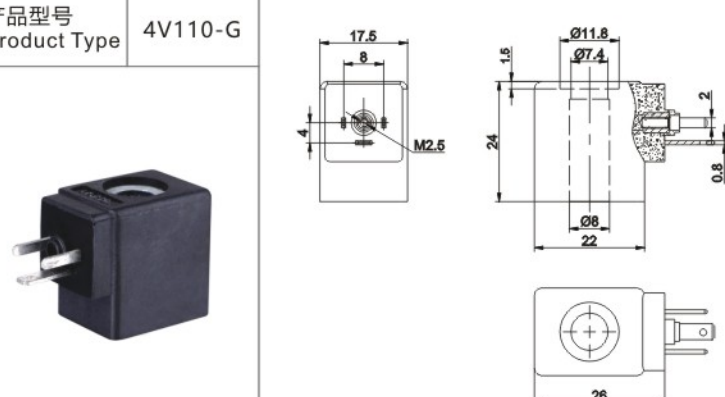
产品编号 Product No.	SB071	外形图 Outside View	包覆材料类型 Type Of Coating Material	热塑类 Thermoplastic coils
产品型号 Product Type	4V110A		常规电压 Normal Voltage	DC12V、DC24V、AC110V、AC220V
			常规功率 Normal Power	AC 3VA、5VA DC 2.5W、2.8W、3.5W
			线圈连接方式 Connection Type	引线式 With Flying leads
			连接件规格 Connector Specifications	20AWG/0.5mm <sup>2</sup> , 500mm

产品编号 Product No.	SB1076	外形图 Outside View	包覆材料类型 Type Of Coating Material	热固类 Thermosetting coils
产品型号 Product Type	AU4V110-B		常规电压 Normal Voltage	DC12V、DC24V、AC110V、AC220V
			常规功率 Normal Power	AC 3VA、5VA DC 2.5W、3W
			线圈连接方式 Connection Type	插片式 Pin type
			连接件规格 Connector Specifications	2.8X0.5-2P

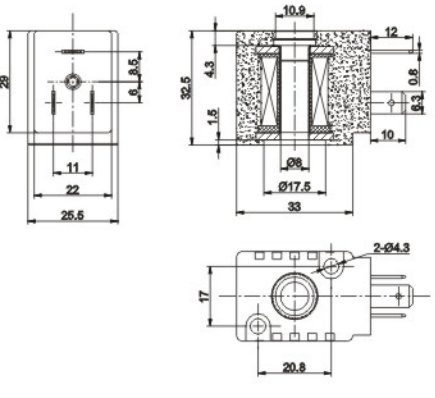

产品编号 Product No.	SB578F	外形图 Outside View	包覆材料类型 Type Of Coating Material	热固类 Thermosetting coils
产品型号 Product Type	AU4V110X		常规电压 Normal Voltage	DC12V、DC24V、AC110V、AC220V
			常规功率 Normal Power	AC 3VA、5VA DC 2.5W、2.8W、4W
			线圈连接方式 Connection Type	引线式 With Flying leads
			连接件规格 Connector Specifications	22AWG/0.34mm <sup>2</sup> , 500mm

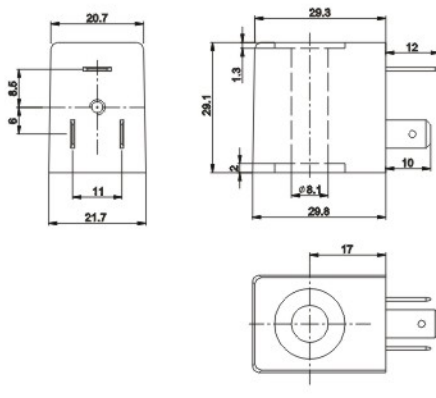

产品编号 Product No.	SB1254	外形图 Outside View	包覆材料类型 Type Of Coating Material	热塑类 Thermoplastic coils
产品型号 Product Type	4V110 平行式		常规电压 Normal Voltage	DC12V、DC24V、AC110V、AC220V
			常规功率 Normal Power	AC 3VA、5VA DC 2.5W、3W
			线圈连接方式 Connection Type	接插式 Meet & Insert Type
			连接件规格 Connector Specifications	XH2.54-2P

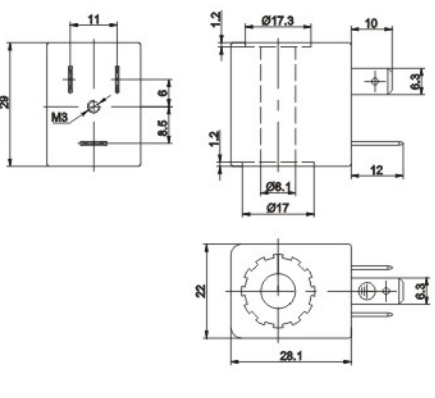

产品编号 Product No.	SB578	外形图 Outside View	包覆材料类型 Type Of Coating Material	热固类 Thermosetting coils
产品型号 Product Type	AU4V110		常规电压 Normal Voltage	DC12V、DC24V、AC110V、AC220V
			常规功率 Normal Power	AC 3VA、5VA DC 2.5W、2.8W、4W
			线圈连接方式 Connection Type	插片式 Pin type
			连接件规格 Connector Specifications	工业C型 Industrial

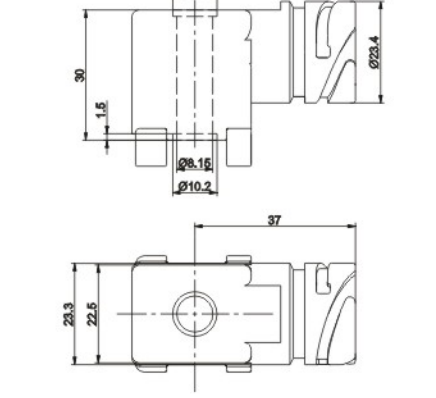

产品编号 Product No.	SB561	外形图 Outside View	包覆材料类型 Type Of Coating Material	热塑类 Thermoplastic coils
产品型号 Product Type	4V110-G		常规电压 Normal Voltage	DC12V、DC24V、AC110V、AC220V
			常规功率 Normal Power	AC 4VA DC 3W
			线圈连接方式 Connection Type	插片式 Pin type
			连接件规格 Connector Specifications	DIN43650C

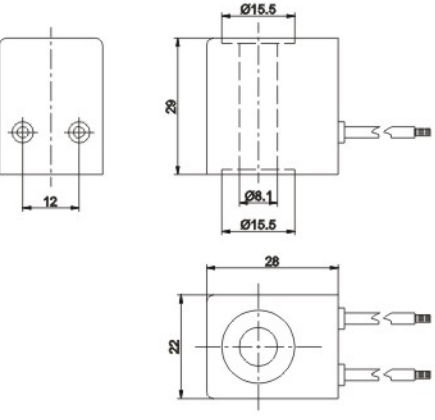



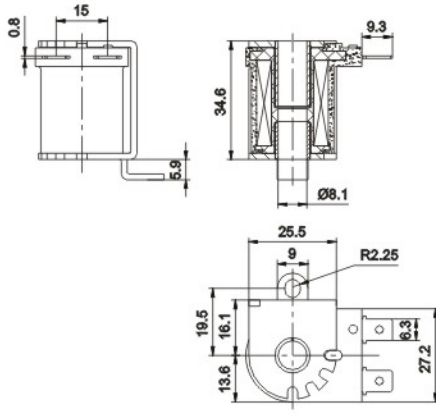

产品编号 Product No.	SB1128	外形图 Outside View	包覆材料类型 Type Of Coating Material	热固类 Thermosetting coils
产品型号 Product Type	JVT307-11-C		常规电压 Normal Voltage	DC12V、DC24V
			常规功率 Normal Power	AC — DC 4.5W、7W
			线圈连接方式 Connection Type	插片式 Pin type
			连接件规格 Connector Specifications	工业B型 Industrial

产品编号 Product No.	SB740	外形图 Outside View	包覆材料类型 Type Of Coating Material	热固类 Thermosetting coils
产品型号 Product Type	210D-8		常规电压 Normal Voltage	DC12V、DC24V、AC110V、AC220V
			常规功率 Normal Power	AC 8VA DC 4W
			线圈连接方式 Connection Type	插片式 Pin type
			连接件规格 Connector Specifications	工业B型 Industrial

产品编号 Product No.	SB052	外形图 Outside View	包覆材料类型 Type Of Coating Material	热塑类 Thermoplastic coils
产品型号 Product Type	08210		常规电压 Normal Voltage	DC12V、DC24V、AC110V、AC220V
			常规功率 Normal Power	AC 3.5VA、6.5VA DC 3W、5W、5.5W、6W
			线圈连接方式 Connection Type	插片式 Pin type
			连接件规格 Connector Specifications	工业B型 Industrial

产品编号 Product No.	SB780	外形图 Outside View	包覆材料类型 Type Of Coating Material	热塑类 Thermoplastic coils
产品型号 Product Type	XY08302		常规电压 Normal Voltage	DC12V、DC24V
			常规功率 Normal Power	AC — DC 2.5W、3W、4W
			线圈连接方式 Connection Type	接插式 Meet & Insert Type
			连接件规格 Connector Specifications	ISO 15170-A1-2.3-Sn/K1

产品编号 Product No.	SB525	外形图 Outside View	包覆材料类型 Type Of Coating Material	热塑类 Thermoplastic coils
产品型号 Product Type	08210X		常规电压 Normal Voltage	DC12V、DC24V、AC110V、AC220V
			常规功率 Normal Power	AC 6VA DC 3.5W
			线圈连接方式 Connection Type	引线式 With Flying leads
			连接件规格 Connector Specifications	22AWG/0.34mm <sup>2</sup> , 500mm

产品编号 Product No.	SB1020	外形图 Outside View	包覆材料类型 Type Of Coating Material	热固类 Thermosetting coils
产品型号 Product Type	X23722		常规电压 Normal Voltage	AC24V、AC120V、AC240V、DC12V、DC24V
			常规功率 Normal Power	AC 7W、10W DC 10W
			线圈连接方式 Connection Type	插片式 Pin type
			连接件规格 Connector Specifications	6.3-2P

产品编号 Product No.	SB1120	外形图 Outside View	包覆材料类型 Type Of Coating Material	热塑类 Thermoplastic coils
产品型号 Product Type	X27236		常规电压 Normal Voltage	AC24V、AC120V、DC24V
			常规功率 Normal Power	AC 10W DC 10W
			线圈连接方式 Connection Type	插片式 Pin type
			连接件规格 Connector Specifications	DIN43650A

产品编号 Product No.	SB075	外形图 Outside View	包覆材料类型 Type Of Coating Material	热塑类 Thermoplastic coils
产品型号 Product Type	4V210		常规电压 Normal Voltage	DC12V、DC24V、AC110V、AC220V
			常规功率 Normal Power	AC 4VA、5.5VA DC 3W、4.8W
			线圈连接方式 Connection Type	插片式 Pin type
			连接件规格 Connector Specifications	工业B型 Industrial

产品编号 Product No.	SB579	外形图 Outside View	包覆材料类型 Type Of Coating Material	热固类 Thermosetting coils
产品型号 Product Type	AU4V210		常规电压 Normal Voltage	DC12V、DC24V、AC110V、AC220V
			常规功率 Normal Power	AC 4VA、5.5VA DC 3W、4.8W
			线圈连接方式 Connection Type	插片式 Pin type
			连接件规格 Connector Specifications	工业B型 Industrial

产品编号 Product No.	SB712	外形图 Outside View	包覆材料类型 Type Of Coating Material	热塑类 Thermoplastic coils
产品型号 Product Type	AM210		常规电压 Normal Voltage	DC12V、DC24V、AC110V、AC220V
			常规功率 Normal Power	AC 5VA DC 3W、4.8W
			线圈连接方式 Connection Type	插片式 Pin type
			连接件规格 Connector Specifications	工业B型 Industrial

产品编号 Product No.	SB294	外形图 Outside View	包覆材料类型 Type Of Coating Material	热塑类 Thermoplastic coils
产品型号 Product Type	210B		常规电压 Normal Voltage	DC12V, DC24V, AC110V, AC220V
			常规功率 Normal Power	AC 4.5VA, 6VA DC 4.8W, 6W
			线圈连接方式 Connection Type	插片式 Pin type
			连接件规格 Connector Specifications	工业B型 Industrial

产品编号 Product No.	SB241	外形图 Outside View	包覆材料类型 Type Of Coating Material	热塑类 Thermoplastic coils
产品型号 Product Type	NB09		常规电压 Normal Voltage	DC12V, DC24V, AC110V, AC220V
			常规功率 Normal Power	AC 5VA, 8VA DC 6W, 8W
			线圈连接方式 Connection Type	插片式 Pin type
			连接件规格 Connector Specifications	工业B型 Industrial

产品编号 Product No.	SB285-9	外形图 Outside View	包覆材料类型 Type Of Coating Material	热塑类 Thermoplastic coils
产品型号 Product Type	XY1030-9		常规电压 Normal Voltage	DC12V, DC24V, AC110V, AC220V
			常规功率 Normal Power	AC 5.5VA DC 4.8W
			线圈连接方式 Connection Type	插片式 Pin type
			连接件规格 Connector Specifications	工业B型 Industrial

产品编号 Product No.	SB1159	外形图 Outside View	包覆材料类型 Type Of Coating Material	热塑类 Thermoplastic coils
产品型号 Product Type	4V210-L		常规电压 Normal Voltage	AC24V
			常规功率 Normal Power	AC 6W, 8W DC —
			线圈连接方式 Connection Type	插片式 Pin type
			连接件规格 Connector Specifications	6.3-2P

产品编号 Product No.	SB1162	外形图 Outside View	包覆材料类型 Type Of Coating Material	热固类 Thermosetting coils
产品型号 Product Type	210D-9		常规电压 Normal Voltage	AC220V
			常规功率 Normal Power	AC 7VA DC —
			线圈连接方式 Connection Type	插片式 Pin type
			连接件规格 Connector Specifications	工业B型 Industrial

产品编号 Product No.	SB490	外形图 Outside View	包覆材料类型 Type Of Coating Material	热塑类 Thermoplastic coils
产品型号 Product Type	RE-210F		常规电压 Normal Voltage	DC24V
			常规功率 Normal Power	AC — DC 1.8W, 5W, 6W
			线圈连接方式 Connection Type	插片式 Pin type
			连接件规格 Connector Specifications	DIN43650B

产品编号 Product No.	SB1068	外形图 Outside View	包覆材料类型 Type Of Coating Material	热塑类 Thermoplastic coils	
产品型号 Product Type	XY09302		常规电压 Normal Voltage	DC6V、DC24V	
常规功率 Normal Power	AC		—		
	DC		6.5W		
线圈连接方式 Connection Type	接插式 Meet & Insert Type				
连接件规格 Connector Specifications	AMP 282080-1 AMP 2435050-1				

产品编号 Product No.	SB796	外形图 Outside View	包覆材料类型 Type Of Coating Material	热塑类 Thermoplastic coils	
产品型号 Product Type	HT09252B		常规电压 Normal Voltage	DC6V、DC12V、DC24V	
常规功率 Normal Power	AC		—		
	DC		12W、36W、72W		
线圈连接方式 Connection Type	接插式 Meet & Insert Type				
连接件规格 Connector Specifications	AMP 282080-1 AMP 2435050-1				

产品编号 Product No.	SB1180	外形图 Outside View	包覆材料类型 Type Of Coating Material	热塑类 Thermoplastic coils	
产品型号 Product Type	XY09302B		常规电压 Normal Voltage	DC24V	
常规功率 Normal Power	AC		—		
	DC		6.5W		
线圈连接方式 Connection Type	接插式 Meet & Insert Type				
连接件规格 Connector Specifications	AMP 282080-1 AMP 2435050-1				

产品编号 Product No.	SB813	外形图 Outside View	包覆材料类型 Type Of Coating Material	热塑类 Thermoplastic coils	
产品型号 Product Type	HT09252C		常规电压 Normal Voltage	DC12V、DC24V	
常规功率 Normal Power	AC		—		
	DC		48W、72W		
线圈连接方式 Connection Type	接插式 Meet & Insert Type				
连接件规格 Connector Specifications	AMP 282080-1 AMP 2435050-1				

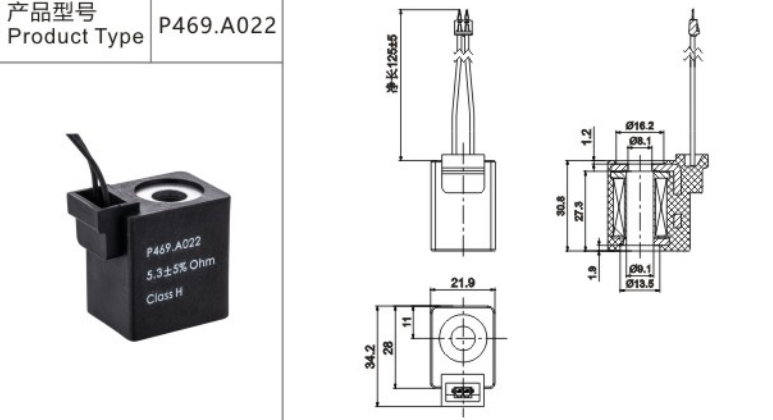

产品编号 Product No.	SB1247	外形图 Outside View	包覆材料类型 Type Of Coating Material	热塑类 Thermoplastic coils	
产品型号 Product Type	TDSV-P3		常规电压 Normal Voltage	DC12V	
常规功率 Normal Power	AC		—		
	DC		12W		
线圈连接方式 Connection Type	接插式 Meet & Insert Type				
连接件规格 Connector Specifications	AMP 282080-1 AMP 2435050-1				

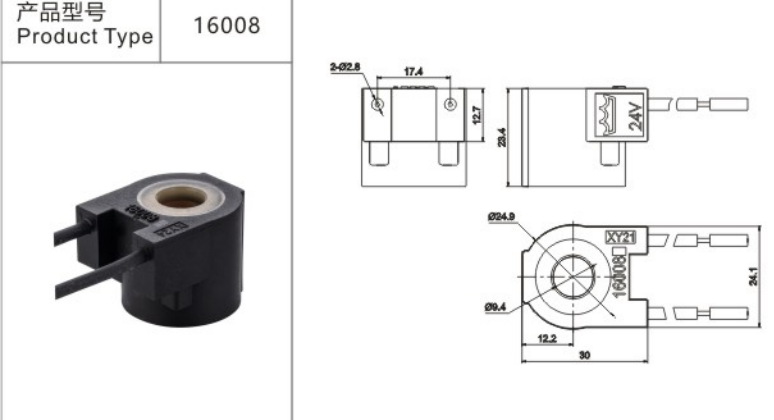

产品编号 Product No.	SB1255	外形图 Outside View	包覆材料类型 Type Of Coating Material	热塑类 Thermoplastic coils	
产品型号 Product Type	4V210 (平行式)		常规电压 Normal Voltage	DC12V、DC24V	
常规功率 Normal Power	AC		—		
	DC		3W、4.8W		
线圈连接方式 Connection Type	接插式 Meet & Insert Type				
连接件规格 Connector Specifications	XH2.54-2P				

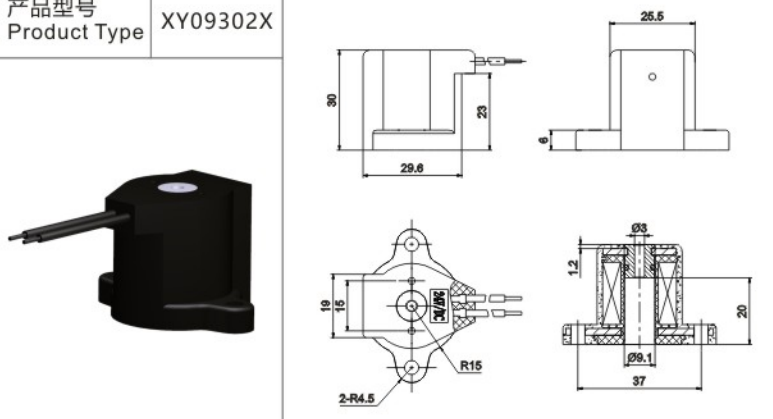



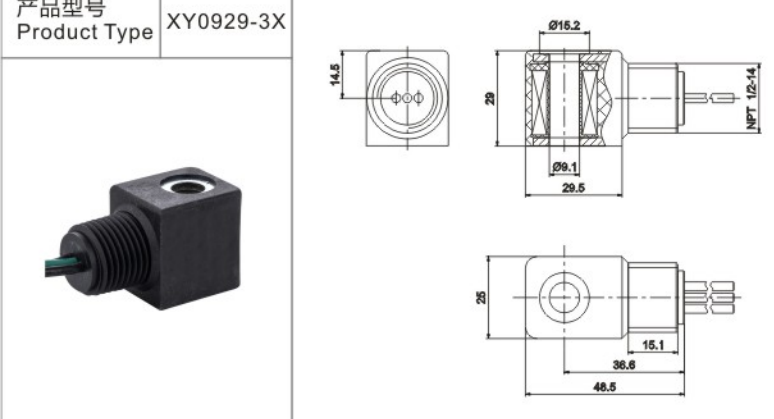



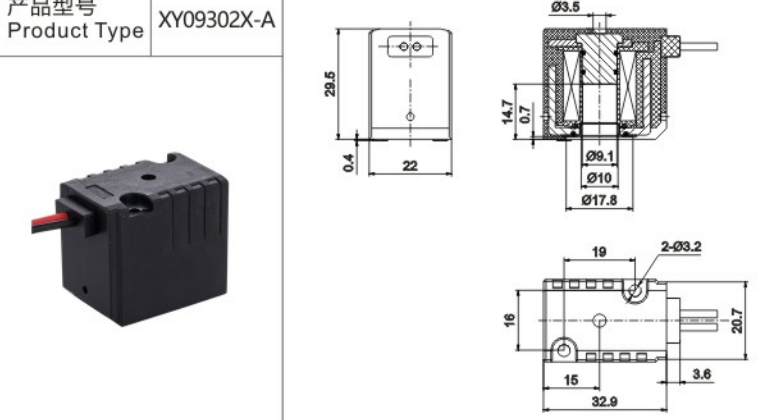



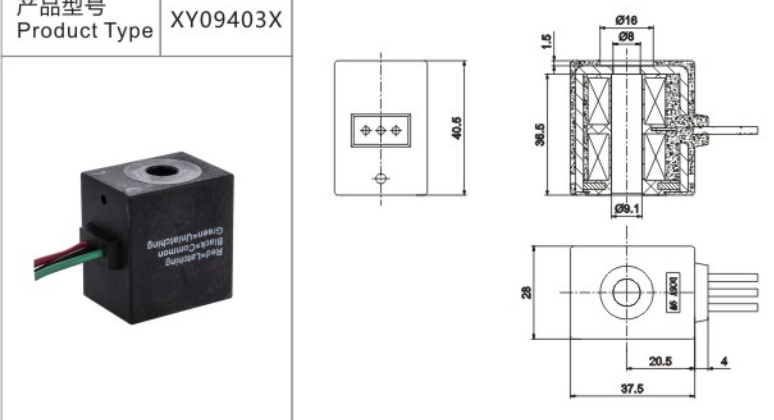

产品编号 Product No.	SB1250	外形图 Outside View	包覆材料类型 Type Of Coating Material	热塑类 Thermoplastic coils
产品型号 Product Type	P469.A022		常规电压 Normal Voltage	DC24V
	常规功率 Normal Power		AC — DC 108.7W	
	线圈连接方式 Connection Type		引线式 With Flying leads	
连接件规格 Connector Specifications	24AWG/0.2mm <sup>2</sup> , 125mm			

产品编号 Product No.	SB1207	外形图 Outside View	包覆材料类型 Type Of Coating Material	热塑类 Thermoplastic coils
产品型号 Product Type	16008		常规电压 Normal Voltage	AC24V、AC110V、AC220V
	常规功率 Normal Power		AC 7.2VA DC —	
	线圈连接方式 Connection Type		引线式 With Flying leads	
连接件规格 Connector Specifications	18AWG/0.75mm <sup>2</sup> , 610mm			

产品编号 Product No.	SB988	外形图 Outside View	包覆材料类型 Type Of Coating Material	热塑类 Thermoplastic coils
产品型号 Product Type	XY09302X		常规电压 Normal Voltage	DC12V、DC24V
	常规功率 Normal Power		AC — DC 3.2W、8W	
	线圈连接方式 Connection Type		引线式 With Flying leads	
连接件规格 Connector Specifications	18AWG/0.75mm <sup>2</sup> , 125mm			

产品编号 Product No.	SB1070	外形图 Outside View	包覆材料类型 Type Of Coating Material	热塑类 Thermoplastic coils
产品型号 Product Type	XY0929-3X		常规电压 Normal Voltage	DC12V、AC110V
	常规功率 Normal Power		AC 3.5VA DC 4.5W、7.5W	
	线圈连接方式 Connection Type		引线式 With Flying leads	
连接件规格 Connector Specifications	18AWG/0.75mm <sup>2</sup> , 600mm			

产品编号 Product No.	SB1181	外形图 Outside View	包覆材料类型 Type Of Coating Material	热塑类 Thermoplastic coils
产品型号 Product Type	XY09302X-A		常规电压 Normal Voltage	DC12V、DC24V
	常规功率 Normal Power		AC — DC 2.6W	
	线圈连接方式 Connection Type		引线式 With Flying leads	
连接件规格 Connector Specifications	18AWG/0.75mm <sup>2</sup> , 650mm			

产品编号 Product No.	SB979	外形图 Outside View	包覆材料类型 Type Of Coating Material	热塑类 Thermoplastic coils
产品型号 Product Type	XY09403X		常规电压 Normal Voltage	DC6V
	常规功率 Normal Power		AC — DC 9W	
	线圈连接方式 Connection Type		引线式 With Flying leads	
连接件规格 Connector Specifications	22AWG/0.32mm <sup>2</sup> , 580mm			

产品编号 Product No.	SB591	外形图 Outside View	包覆材料类型 Type Of Coating Material	热固类 Thermosetting coils	
产品型号 Product Type	0307		常规电压 Normal Voltage	DC24V	
线圈连接方式 Connection Type	工业B型 Industrial	常规功率 Normal Power	AC	—	
			DC	79.5W	
连接件规格 Connector Specifications				插片式 Pin type	

产品编号 Product No.	SB1014	外形图 Outside View	包覆材料类型 Type Of Coating Material	热塑类 Thermoplastic coils	
产品型号 Product Type	XY09383		常规电压 Normal Voltage	DC24V	
线圈连接方式 Connection Type	工业B型 Industrial	常规功率 Normal Power	AC	—	
			DC	39W	
连接件规格 Connector Specifications				插片式 Pin type	

产品编号 Product No.	SB452	外形图 Outside View	包覆材料类型 Type Of Coating Material	热塑类 Thermoplastic coils	
产品型号 Product Type	XY09303		常规电压 Normal Voltage	DC12V, DC24V, AC110V, AC220V	
线圈连接方式 Connection Type	工业B型 Industrial	常规功率 Normal Power	AC	8.5VA, 10VA	
			DC	2W, 6W, 7W	
连接件规格 Connector Specifications				插片式 Pin type	

产品编号 Product No.	SB709	外形图 Outside View	包覆材料类型 Type Of Coating Material	热塑类 Thermoplastic coils	
产品型号 Product Type	Da21M		常规电压 Normal Voltage	DC24V	
线圈连接方式 Connection Type	工业B型 Industrial	常规功率 Normal Power	AC	—	
			DC	37W, 39W	
连接件规格 Connector Specifications				插片式 Pin type	

产品编号 Product No.	SB296	外形图 Outside View	包覆材料类型 Type Of Coating Material	热塑类 Thermoplastic coils	
产品型号 Product Type	BV5275		常规电压 Normal Voltage	DC12V, DC24V, AC24V, AC110V, AC220V	
线圈连接方式 Connection Type	工业B型 Industrial	常规功率 Normal Power	AC	5VA	
			DC	2.5W, 5W	
连接件规格 Connector Specifications				插片式 Pin type	

产品编号 Product No.	SB258	外形图 Outside View	包覆材料类型 Type Of Coating Material	热固类 Thermosetting coils	
产品型号 Product Type	PF2-L		常规电压 Normal Voltage	DC24V	
线圈连接方式 Connection Type	工业B型 Industrial	常规功率 Normal Power	AC	—	
			DC	8W	
连接件规格 Connector Specifications				带螺纹接头 Pin Type With Screw	

产品编号 Product No.	SB285	外形图 Outside View	包覆材料类型 Type Of Coating Material	热塑类 Thermoplastic coils
产品型号 Product Type	XY1030		常规电压 Normal Voltage	DC12V、DC24V、AC24V、 AC110V、AC220V
常规功率 Normal Power	AC	4VA、5.5VA	线圈连接方式 Connection Type	插片式 Pin type
	DC	4.8W、5W、6.5W		
连接件规格 Connector Specifications		工业B型 Industrial		

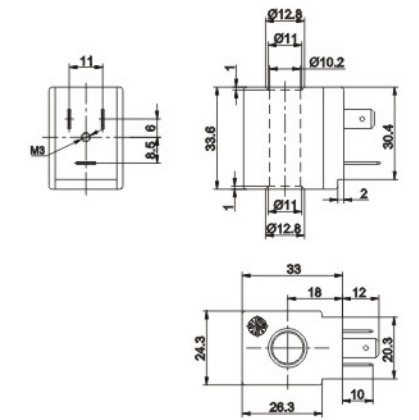

产品编号 Product No.	SB516	外形图 Outside View	包覆材料类型 Type Of Coating Material	热固类 Thermosetting coils
产品型号 Product Type	210D-10		常规电压 Normal Voltage	DC12V、DC24V、AC110V、AC220V
常规功率 Normal Power	AC	8VA	线圈连接方式 Connection Type	插片式 Pin type
	DC	6W、6.5W		
连接件规格 Connector Specifications		工业B型 Industrial		

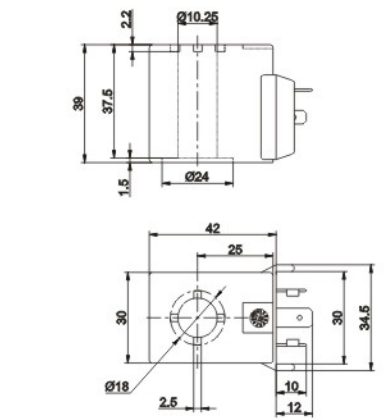

产品编号 Product No.	SB285	外形图 Outside View	包覆材料类型 Type Of Coating Material	热塑类 Thermoplastic coils
产品型号 Product Type	BN1030		常规电压 Normal Voltage	DC12V、DC24V、AC24V、 AC110V、AC220V
常规功率 Normal Power	AC	5.5VA、6VA	线圈连接方式 Connection Type	插片式 Pin type
	DC	3W、6W、8W		
连接件规格 Connector Specifications		—		

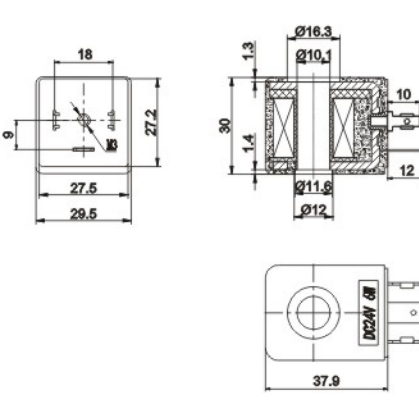

产品编号 Product No.	SB925	外形图 Outside View	包覆材料类型 Type Of Coating Material	热塑类 Thermoplastic coils
产品型号 Product Type	JY1030-C		常规电压 Normal Voltage	AC220V
常规功率 Normal Power	AC	—	线圈连接方式 Connection Type	插片式 Pin type
	DC	—		
连接件规格 Connector Specifications		工业B型 Industrial		

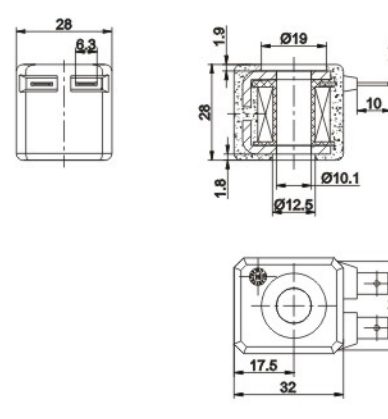

产品编号 Product No.	SB754	外形图 Outside View	包覆材料类型 Type Of Coating Material	热塑类 Thermoplastic coils
产品型号 Product Type	XY210-10		常规电压 Normal Voltage	DC12V、DC24V、AC24V、 AC110V、AC230V
常规功率 Normal Power	AC	5VA	线圈连接方式 Connection Type	插片式 Pin type
	DC	3.5W		
连接件规格 Connector Specifications		—		

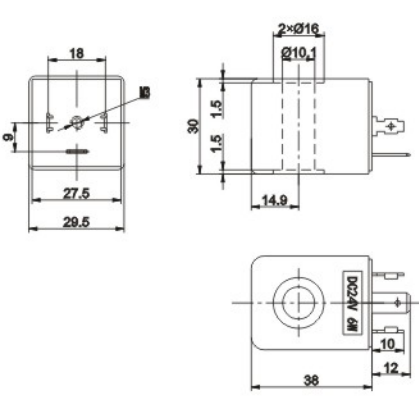

产品编号 Product No.	SB937	外形图 Outside View	包覆材料类型 Type Of Coating Material	热固类 Thermosetting coils
产品型号 Product Type	JY1030-RG		常规电压 Normal Voltage	AC220V
常规功率 Normal Power	AC	14W	线圈连接方式 Connection Type	插片式 Pin type
	DC	—		
连接件规格 Connector Specifications		—		

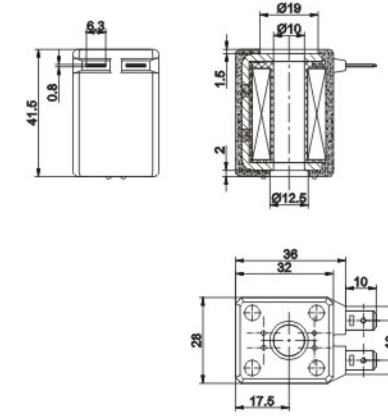

产品编号 Product No.	SB535	外形图 Outside View	包覆材料类型 Type Of Coating Material	热塑类 Thermoplastic coils
产品型号 Product Type	TM25		常规电压 Normal Voltage	DC12V、DC24V、DC100V、AC115V、AC230V
			常规功率 Normal Power	AC — DC 8W、9.2W
			线圈连接方式 Connection Type	插片式 Pin type
			连接件规格 Connector Specifications	工业B型 Industrial

产品编号 Product No.	SB852	外形图 Outside View	包覆材料类型 Type Of Coating Material	热塑类 Thermoplastic coils
产品型号 Product Type	HB700-10		常规电压 Normal Voltage	DC12.5V、DC13V
			常规功率 Normal Power	AC — DC 3.6W、3.9W
			线圈连接方式 Connection Type	插片式 Pin type
			连接件规格 Connector Specifications	DIN43650A

产品编号 Product No.	SB480	外形图 Outside View	包覆材料类型 Type Of Coating Material	热塑类 Thermoplastic coils
产品型号 Product Type	XY10303		常规电压 Normal Voltage	DC12V、DC24V、AC24V、AC220V
			常规功率 Normal Power	AC 9W、15W DC 9W、11W
			线圈连接方式 Connection Type	插片式 Pin type
			连接件规格 Connector Specifications	DIN43650A

产品编号 Product No.	SB240	外形图 Outside View	包覆材料类型 Type Of Coating Material	热塑类 Thermoplastic coils
产品型号 Product Type	KFF-1		常规电压 Normal Voltage	DC24V、AC220V
			常规功率 Normal Power	AC — DC 11W
			线圈连接方式 Connection Type	插片式 Pin type
			连接件规格 Connector Specifications	6.3-2P

产品编号 Product No.	SB480B	外形图 Outside View	包覆材料类型 Type Of Coating Material	热塑类 Thermoplastic coils
产品型号 Product Type	XY10303B		常规电压 Normal Voltage	AC230V
			常规功率 Normal Power	AC 8VA DC —
			线圈连接方式 Connection Type	插片式 Pin type
			连接件规格 Connector Specifications	DIN43650A

产品编号 Product No.	SB1246	外形图 Outside View	包覆材料类型 Type Of Coating Material	热塑类 Thermoplastic coils
产品型号 Product Type	KFF-2		常规电压 Normal Voltage	DC24V
			常规功率 Normal Power	AC — DC 9.6W
			线圈连接方式 Connection Type	插片式 Pin type
			连接件规格 Connector Specifications	6.3-2P

产品编号 Product No.	SB704	外形图 Outside View	包覆材料类型 Type Of Coating Material	热塑类 Thermoplastic coils	
产品型号 Product Type	XY10332		常规电压 Normal Voltage	RAC24V	
常规功率 Normal Power	AC		9.5W、10W		
	DC		—		
线圈连接方式 Connection Type	插片式 Pin type				
连接件规格 Connector Specifications	6.3-2P				

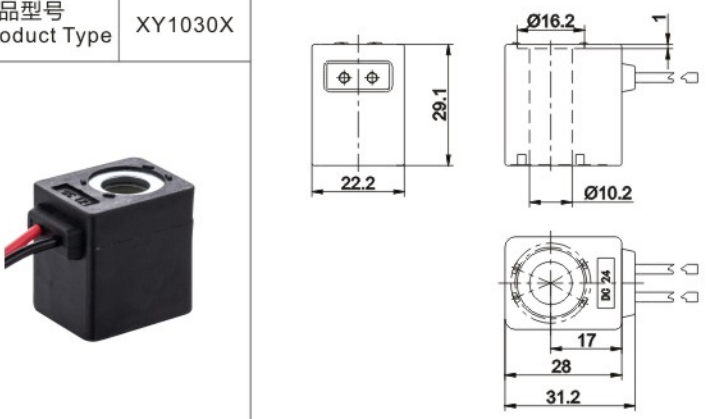
产品编号 Product No.	SB991	外形图 Outside View	包覆材料类型 Type Of Coating Material	热塑类 Thermoplastic coils	
产品型号 Product Type	XY10442B		常规电压 Normal Voltage	DC12V	
常规功率 Normal Power	AC		—		
	DC		14W		
线圈连接方式 Connection Type	接插式 Meet & Insert Type				
连接件规格 Connector Specifications	—				

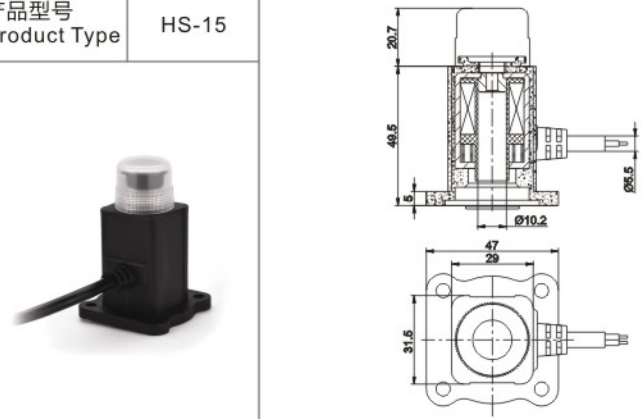
产品编号 Product No.	SB565	外形图 Outside View	包覆材料类型 Type Of Coating Material	热塑类 Thermoplastic coils	
产品型号 Product Type	XC09312		常规电压 Normal Voltage	AC230V	
常规功率 Normal Power	AC		—		
	DC		—		
线圈连接方式 Connection Type	插片式 Pin type				
连接件规格 Connector Specifications	6.3-2P				

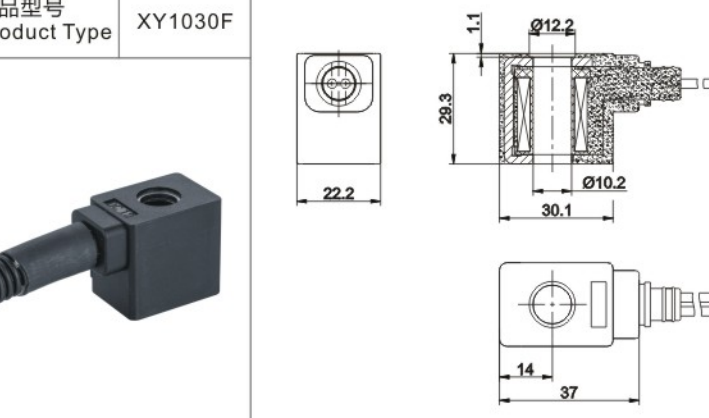
产品编号 Product No.	SB915	外形图 Outside View	包覆材料类型 Type Of Coating Material	热塑类 Thermoplastic coils	
产品型号 Product Type	WABC001		常规电压 Normal Voltage	DC12V	
常规功率 Normal Power	AC		—		
	DC		9W		
线圈连接方式 Connection Type	接插式 Meet & Insert Type				
连接件规格 Connector Specifications	—				

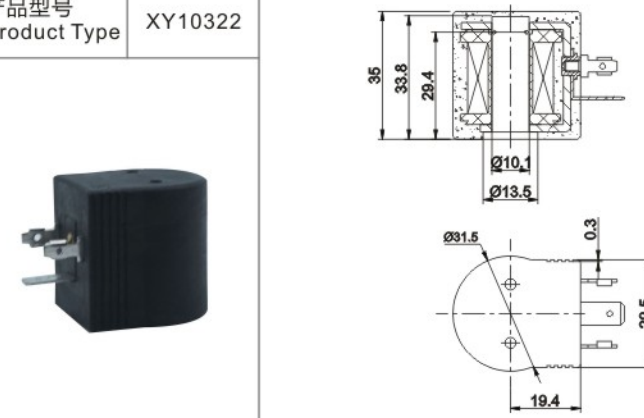
产品编号 Product No.	SB1220	外形图 Outside View	包覆材料类型 Type Of Coating Material	热塑类 Thermoplastic coils	
产品型号 Product Type	XY11292		常规电压 Normal Voltage	DC24V	
常规功率 Normal Power	AC		—		
	DC		31W		
线圈连接方式 Connection Type	针式 Needle Type				
连接件规格 Connector Specifications	0.8X0.8				

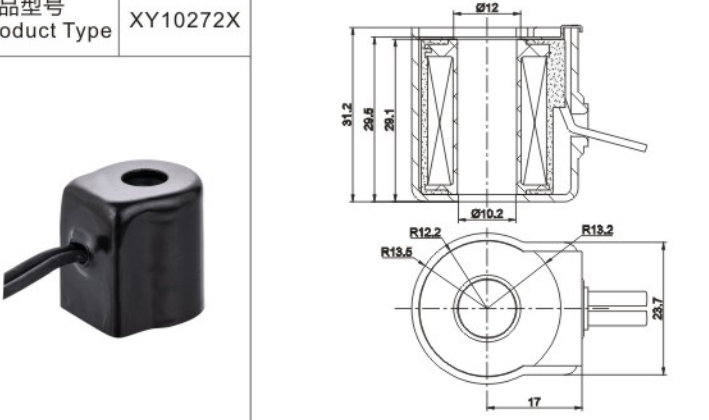
产品编号 Product No.	SB960	外形图 Outside View	包覆材料类型 Type Of Coating Material	热塑类 Thermoplastic coils	
产品型号 Product Type	WABC004		常规电压 Normal Voltage	DC12V	
常规功率 Normal Power	AC		—		
	DC		9W		
线圈连接方式 Connection Type	接插式 Meet & Insert Type				
连接件规格 Connector Specifications	—				

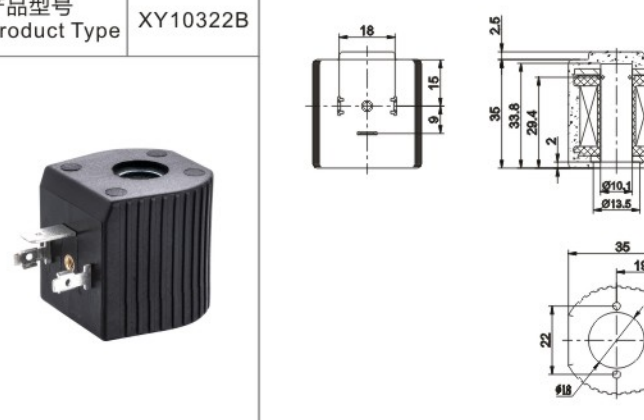
产品编号 Product No.	SB285F	外形图 Outside View	包覆材料类型 Type Of Coating Material	热塑类 Thermoplastic coils
产品型号 Product Type	XY1030X		常规电压 Normal Voltage	DC12V、DC24V、AC110V、AC220V
			常规功率 Normal Power	AC 6VA DC 6W、10W
			线圈连接方式 Connection Type	引线式 With Flying leads
			连接件规格 Connector Specifications	22AWG/0.34mm <sup>2</sup> , 500mm

产品编号 Product No.	SB293	外形图 Outside View	包覆材料类型 Type Of Coating Material	热塑类 Thermoplastic coils
产品型号 Product Type	HS-15		常规电压 Normal Voltage	DC12V、DC24V、AC110V、AC220V
			常规功率 Normal Power	AC — DC 5W
			线圈连接方式 Connection Type	引线式 With Flying leads
			连接件规格 Connector Specifications	2X0.5mm <sup>2</sup> , 480mm

产品编号 Product No.	SB1221	外形图 Outside View	包覆材料类型 Type Of Coating Material	热塑类 Thermoplastic coils
产品型号 Product Type	XY1030F		常规电压 Normal Voltage	DC12V、DC24V
			常规功率 Normal Power	AC — DC 5.7W
			线圈连接方式 Connection Type	引线式 With Flying leads
			连接件规格 Connector Specifications	18AWG/0.75mm <sup>2</sup> , 480mm

产品编号 Product No.	SB862	外形图 Outside View	包覆材料类型 Type Of Coating Material	热塑类 Thermoplastic coils
产品型号 Product Type	XY10322		常规电压 Normal Voltage	AC220V
			常规功率 Normal Power	AC 8W DC —
			线圈连接方式 Connection Type	插片式 Pin type
			连接件规格 Connector Specifications	DIN43650A

产品编号 Product No.	SB971	外形图 Outside View	包覆材料类型 Type Of Coating Material	热固类 Thermosetting coils
产品型号 Product Type	XY10272X		常规电压 Normal Voltage	DC24V
			常规功率 Normal Power	AC — DC 7.8W
			线圈连接方式 Connection Type	引线式 With Flying leads
			连接件规格 Connector Specifications	18AWG/0.75mm <sup>2</sup> , 210mm

产品编号 Product No.	SB994	外形图 Outside View	包覆材料类型 Type Of Coating Material	热塑类 Thermoplastic coils
产品型号 Product Type	XY10322B		常规电压 Normal Voltage	DC12V、DC24V、AC220V
			常规功率 Normal Power	AC 6W、8W DC 9W、11W
			线圈连接方式 Connection Type	插片式 Pin type
			连接件规格 Connector Specifications	DIN43650A

产品编号 Product No.	SB961	外形图 Outside View	包覆材料类型 Type Of Coating Material	热塑类 Thermoplastic coils
产品型号 Product Type	SH10322X		常规电压 Normal Voltage	DC12V、DC24V、AC24V、AC220V
	常规功率 Normal Power		AC	15VA
	DC		9W、14W	
线圈连接方式 Connection Type	插片式 Pin type			
连接件规格 Connector Specifications	DIN43650A			

产品编号 Product No.	SB771	外形图 Outside View	包覆材料类型 Type Of Coating Material	热固类 Thermosetting coils
产品型号 Product Type	XY11403		常规电压 Normal Voltage	DC12V、DC24V、AC110V、AC220V
	常规功率 Normal Power		AC	17VA、20VA
	DC		6.5W、9.3W	
线圈连接方式 Connection Type	插片式 Pin type			
连接件规格 Connector Specifications	工业B型 Industrial			

产品编号 Product No.	SB040	外形图 Outside View	包覆材料类型 Type Of Coating Material	热塑类 Thermoplastic coils
产品型号 Product Type	HY-A		常规电压 Normal Voltage	DC12V、DC24V、AC110V、AC220V、AC380V
	常规功率 Normal Power		AC	11VA、13VA
	DC		10W	
线圈连接方式 Connection Type	插片式 Pin type			
连接件规格 Connector Specifications	DIN43650A			

产品编号 Product No.	SB880	外形图 Outside View	包覆材料类型 Type Of Coating Material	热固类 Thermosetting coils
产品型号 Product Type	HY-A-RG		常规电压 Normal Voltage	DC12V、DC24V、AC110V、AC220V、AC380V
	常规功率 Normal Power		AC	15VA
	DC		20.5W、21.5W	
线圈连接方式 Connection Type	插片式 Pin type			
连接件规格 Connector Specifications	DIN43650A			

产品编号 Product No.	SB1150	外形图 Outside View	包覆材料类型 Type Of Coating Material	热固类 Thermosetting coils
产品型号 Product Type	HY-B		常规电压 Normal Voltage	AC220V
			常规功率 Normal Power	AC 10W DC —
			线圈连接方式 Connection Type	插片式 Pin type
			连接件规格 Connector Specifications	DIN43650A

产品编号 Product No.	SB567	外形图 Outside View	包覆材料类型 Type Of Coating Material	热塑类 Thermoplastic coils
产品型号 Product Type	HD11463		常规电压 Normal Voltage	DC12V, DC24V, AC110V, AC220V, AC380V
			常规功率 Normal Power	AC 9W DC 9W
			线圈连接方式 Connection Type	插片式 Pin type
			连接件规格 Connector Specifications	DIN43650A

产品编号 Product No.	SB869	外形图 Outside View	包覆材料类型 Type Of Coating Material	热塑类 Thermoplastic coils
产品型号 Product Type	HY-D		常规电压 Normal Voltage	DC12V, DC24V, AC115V, AC220V
			常规功率 Normal Power	AC 8W DC 20W, 22W
			线圈连接方式 Connection Type	插片式 Pin type
			连接件规格 Connector Specifications	DIN43650A

产品编号 Product No.	SB1203	外形图 Outside View	包覆材料类型 Type Of Coating Material	热固类 Thermosetting coils
产品型号 Product Type	HY-C-RG		常规电压 Normal Voltage	AC110V, AC220V, AC380V
			常规功率 Normal Power	AC 8.4W, 10W DC —
			线圈连接方式 Connection Type	插片式 Pin type
			连接件规格 Connector Specifications	DIN43650A

产品编号 Product No.	SB254	外形图 Outside View	包覆材料类型 Type Of Coating Material	热固类 Thermosetting coils
产品型号 Product Type	A044		常规电压 Normal Voltage	DC12V, DC24V, AC24V, AC110V, AC220V
			常规功率 Normal Power	AC 15VA DC 20.5W, 21.5W
			线圈连接方式 Connection Type	插片式 Pin type
			连接件规格 Connector Specifications	DIN43650A

产品编号 Product No.	SB1240	外形图 Outside View	包覆材料类型 Type Of Coating Material	热固类 Thermosetting coils
产品型号 Product Type	HY-Q-RG		常规电压 Normal Voltage	DC24V, AC220V, AC380V
			常规功率 Normal Power	AC 8.4W, 10W DC 8W
			线圈连接方式 Connection Type	插片式 Pin type
			连接件规格 Connector Specifications	DIN43650A

产品编号 Product No.	SB057	外形图 Outside View	包覆材料类型 Type Of Coating Material	热塑类 Thermoplastic coils
产品型号 Product Type	BD-A		常规电压 Normal Voltage	DC12V、DC24V、AC24V、 AC110V、AC220V、AC380V
常规功率 Normal Power	AC	—	线圈连接方式 Connection Type	插片式 Pin type
	DC	15.5W		
连接件规格 Connector Specifications	DIN43650A			

产品编号 Product No.	SB726	外形图 Outside View	包覆材料类型 Type Of Coating Material	热塑类 Thermoplastic coils
产品型号 Product Type	XY11472		常规电压 Normal Voltage	DC12V
常规功率 Normal Power	AC	—	线圈连接方式 Connection Type	接插式 Meet & Insert Type
	DC	13W、14W		
连接件规格 Connector Specifications	—			

产品编号 Product No.	SB082	外形图 Outside View	包覆材料类型 Type Of Coating Material	热塑类 Thermoplastic coils
产品型号 Product Type	K23D-1.2		常规电压 Normal Voltage	DC12V、DC24V、AC110V、AC220V
常规功率 Normal Power	AC	—	线圈连接方式 Connection Type	压板式 Plate mount
	DC	7.3W、12W		
连接件规格 Connector Specifications	—			

产品编号 Product No.	SB738	外形图 Outside View	包覆材料类型 Type Of Coating Material	热塑类 Thermoplastic coils
产品型号 Product Type	XY11472B		常规电压 Normal Voltage	DC12V
常规功率 Normal Power	AC	—	线圈连接方式 Connection Type	接插式 Meet & Insert Type
	DC	14W		
连接件规格 Connector Specifications	DJ7023-2-21			

产品编号 Product No.	SB854	外形图 Outside View	包覆材料类型 Type Of Coating Material	热塑类 Thermoplastic coils
产品型号 Product Type	4108		常规电压 Normal Voltage	DC24V
常规功率 Normal Power	AC	—	线圈连接方式 Connection Type	插片式 Pin type
	DC	14.4W、90W		
连接件规格 Connector Specifications	—			

产品编号 Product No.	SB892	外形图 Outside View	包覆材料类型 Type Of Coating Material	热塑类 Thermoplastic coils
产品型号 Product Type	XY11472C		常规电压 Normal Voltage	DC12V
常规功率 Normal Power	AC	—	线圈连接方式 Connection Type	接插式 Meet & Insert Type
	DC	14W		
连接件规格 Connector Specifications	—			

产品编号 Product No.	SB541	外形图 Outside View	包覆材料类型 Type Of Coating Material	热塑类 Thermoplastic coils	
产品型号 Product Type	MQP109		常规电压 Normal Voltage	DC24V	
常规功率 Normal Power	AC		—		
	DC		7.7W、8.5W、15W		
线圈连接方式 Connection Type	接插式 Meet & Insert Type				
连接件规格 Connector Specifications	ISO 15170-B1-3.2-SN/K1-BK				

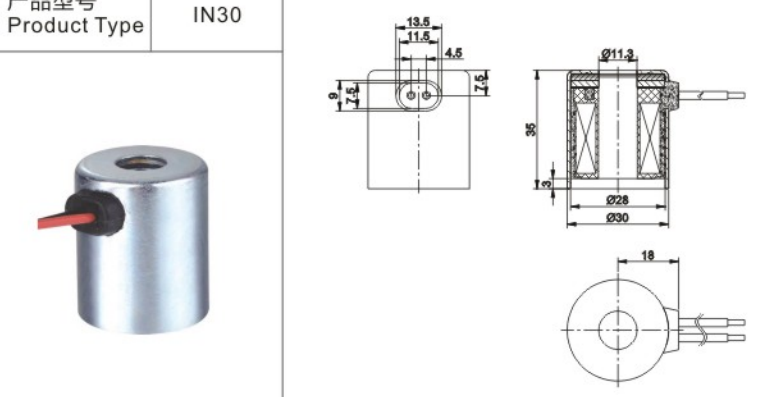
产品编号 Product No.	SB443	外形图 Outside View	包覆材料类型 Type Of Coating Material	热塑类 Thermoplastic coils	
产品型号 Product Type	PK1134		常规电压 Normal Voltage	DC12V、DC24V、AC110V、AC220V	
常规功率 Normal Power	AC		7VA		
	DC		5W、7W		
线圈连接方式 Connection Type	引线式 With Flying leads				
连接件规格 Connector Specifications	22AWG/0.32mm <sup>2</sup> 、460mm				

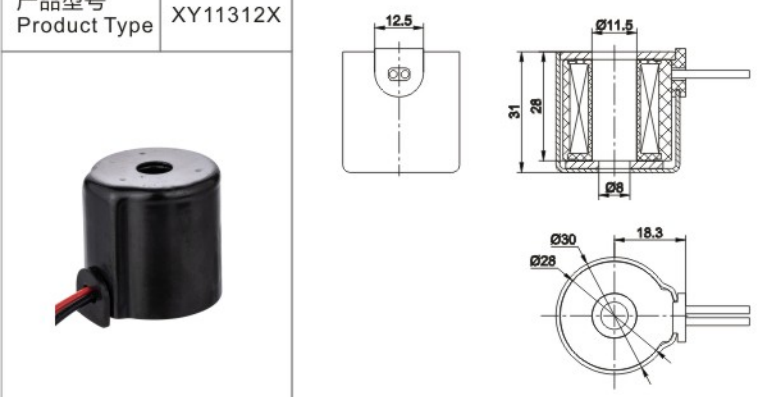
产品编号 Product No.	SB539	外形图 Outside View	包覆材料类型 Type Of Coating Material	热塑类 Thermoplastic coils	
产品型号 Product Type	MQP107		常规电压 Normal Voltage	DC24V	
常规功率 Normal Power	AC		—		
	DC		7.7W		
线圈连接方式 Connection Type	接插式 Meet & Insert Type				
连接件规格 Connector Specifications	ISO 15170-B1-4.1-SN/K1-BK				

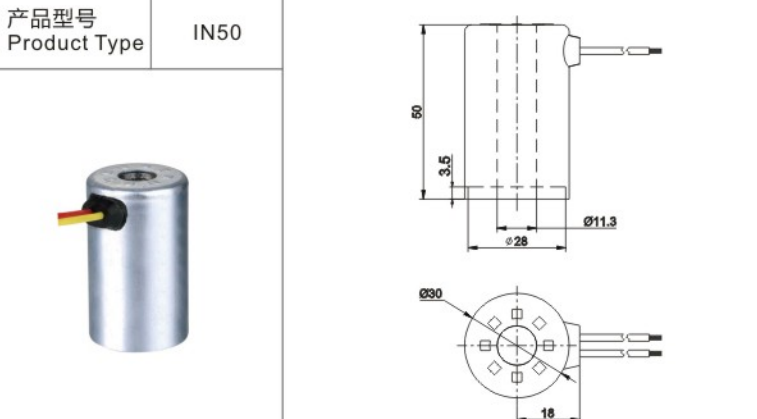
产品编号 Product No.	SB252	外形图 Outside View	包覆材料类型 Type Of Coating Material	热塑类 Thermoplastic coils	
产品型号 Product Type	V2A		常规电压 Normal Voltage	DC12V、DC24V、AC24V、AV36V、AV110V、AV220V	
常规功率 Normal Power	AC		10VA、12VA		
	DC		8W		
线圈连接方式 Connection Type	引线式 With Flying leads				
连接件规格 Connector Specifications	22AWG/0.32mm <sup>2</sup> 、500mm				

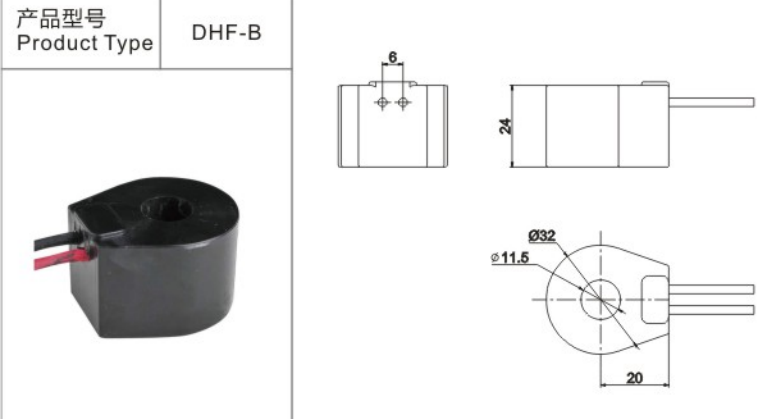
产品编号 Product No.	SB793	外形图 Outside View	包覆材料类型 Type Of Coating Material	热塑类 Thermoplastic coils	
产品型号 Product Type	MQP108-L		常规电压 Normal Voltage	DC24V	
常规功率 Normal Power	AC		—		
	DC		7.7W		
线圈连接方式 Connection Type	接插式 Meet & Insert Type				
连接件规格 Connector Specifications	ISO 15170-B1-4.1-SN/K1-BU				

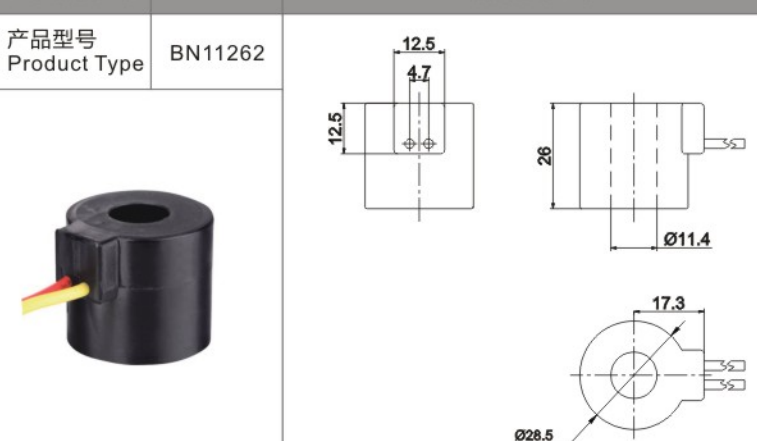
产品编号 Product No.	SB711	外形图 Outside View	包覆材料类型 Type Of Coating Material	热固类 Thermosetting coils	
产品型号 Product Type	V2A-021		常规电压 Normal Voltage	DC12V、DC24V、AC24V、AC110V、AC220V	
常规功率 Normal Power	AC		10VA、13VA		
	DC		10W		
线圈连接方式 Connection Type	引线式 With Flying leads				
连接件规格 Connector Specifications	22AWG/0.32mm <sup>2</sup> 、500mm				

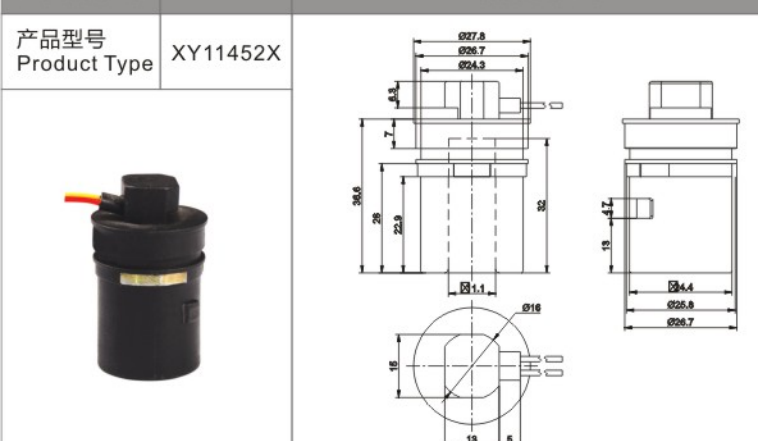
产品编号 Product No.	SB457	外形图 Outside View	包覆材料类型 Type Of Coating Material	热塑类 Thermoplastic coils	
产品型号 Product Type	IN30		常规电压 Normal Voltage	DC12V、DC24V	
常规功率 Normal Power	AC		—		
	DC		17W、18W		
线圈连接方式 Connection Type	引线式 With Flying leads				
连接件规格 Connector Specifications	18AWG/0.85mm <sup>2</sup> , 300mm				

产品编号 Product No.	SB1041	外形图 Outside View	包覆材料类型 Type Of Coating Material	热塑类 Thermoplastic coils	
产品型号 Product Type	XY11312X		常规电压 Normal Voltage	DC24V	
常规功率 Normal Power	AC		—		
	DC		7.4W		
线圈连接方式 Connection Type	引线式 With Flying leads				
连接件规格 Connector Specifications	20AWG/0.5mm <sup>2</sup> , 200mm				

产品编号 Product No.	SB819	外形图 Outside View	包覆材料类型 Type Of Coating Material	热塑类 Thermoplastic coils	
产品型号 Product Type	IN50		常规电压 Normal Voltage	DC12V	
常规功率 Normal Power	AC		—		
	DC		2.5W、15.8W		
线圈连接方式 Connection Type	引线式 With Flying leads				
连接件规格 Connector Specifications	18AWG/0.85mm <sup>2</sup> , 260mm				

产品编号 Product No.	SB959	外形图 Outside View	包覆材料类型 Type Of Coating Material	热固类 Thermosetting coils	
产品型号 Product Type	DHF-B		常规电压 Normal Voltage	DC12V、DC24V、AC220V	
常规功率 Normal Power	AC		—		
	DC		7W、7.5W		
线圈连接方式 Connection Type	引线式 With Flying leads				
连接件规格 Connector Specifications	20AWG/0.5mm <sup>2</sup> , 190mm				

产品编号 Product No.	SB507	外形图 Outside View	包覆材料类型 Type Of Coating Material	热塑类 Thermoplastic coils	
产品型号 Product Type	BN11262		常规电压 Normal Voltage	DC110V、DC198V	
常规功率 Normal Power	AC		—		
	DC		4W		
线圈连接方式 Connection Type	引线式 With Flying leads				
连接件规格 Connector Specifications	20AWG/0.5mm <sup>2</sup> , 290mm				

产品编号 Product No.	SB727	外形图 Outside View	包覆材料类型 Type Of Coating Material	热塑类 Thermoplastic coils	
产品型号 Product Type	XY11452X		常规电压 Normal Voltage	DC12V	
常规功率 Normal Power	AC		—		
	DC		14W		
线圈连接方式 Connection Type	引线式 With Flying leads				
连接件规格 Connector Specifications	22AWG/0.32mm <sup>2</sup> , 100mm				

产品编号 Product No.	SB1239	外形图 Outside View	包覆材料类型 Type Of Coating Material	热固类 Thermosetting coils	
产品型号 Product Type	HY-E-2X		常规电压 Normal Voltage	AC220V	
线圈连接方式 Connection Type	常规功率 Normal Power		AC	10W	
	DC		—		
连接件规格 Connector Specifications	引线式 With Flying leads		18AWG/0.75mm <sup>2</sup> , 1300mm		

产品编号 Product No.	SB291	外形图 Outside View	包覆材料类型 Type Of Coating Material	热固类 Thermosetting coils	
产品型号 Product Type	BD12483		常规电压 Normal Voltage	DC24V, AC24V, AC110V, AC220V	
线圈连接方式 Connection Type	常规功率 Normal Power		AC	15VA	
	DC		10W, 12W, 20W		
连接件规格 Connector Specifications	插片式 Pin type		DIN43650A		

产品编号 Product No.	SB1239	外形图 Outside View	包覆材料类型 Type Of Coating Material	热固类 Thermosetting coils	
产品型号 Product Type	HY-E-1X		常规电压 Normal Voltage	AC220V	
线圈连接方式 Connection Type	常规功率 Normal Power		AC	10W	
	DC		—		
连接件规格 Connector Specifications	引线式 With Flying leads		3AWG/0.75mm <sup>2</sup> , 1000mm		

产品编号 Product No.	SB870	外形图 Outside View	包覆材料类型 Type Of Coating Material	热固类 Thermosetting coils	
产品型号 Product Type	K54		常规电压 Normal Voltage	DC24V, AC220V	
线圈连接方式 Connection Type	常规功率 Normal Power		AC	6.3W, 6.7W	
	DC		8W, 14W, 18W		
连接件规格 Connector Specifications	插片式 Pin type		DIN43650A		

产品编号 Product No.	SB1173	外形图 Outside View	包覆材料类型 Type Of Coating Material	热塑类 Thermoplastic coils	
产品型号 Product Type	K55-RS		常规电压 Normal Voltage	DC24V, AC12V, AC24V	
线圈连接方式 Connection Type	常规功率 Normal Power		AC	8W	
	DC		8W		
连接件规格 Connector Specifications	插片式 Pin type		DIN43650A		



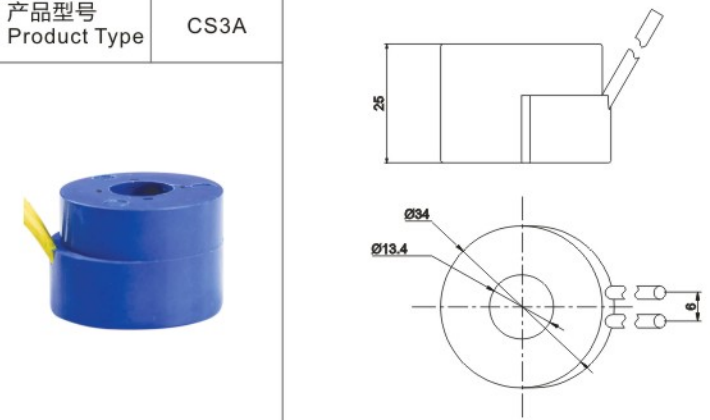
产品编号 Product No.	SB904	外形图 Outside View	包覆材料类型 Type Of Coating Material	热塑类 Thermoplastic coils	
产品型号 Product Type	XY11472D		常规电压 Normal Voltage	DC12V	
常规功率 Normal Power	AC		—		
	DC		13.5W		
线圈连接方式 Connection Type	接插式 Meet & Insert Type				
连接件规格 Connector Specifications	—				

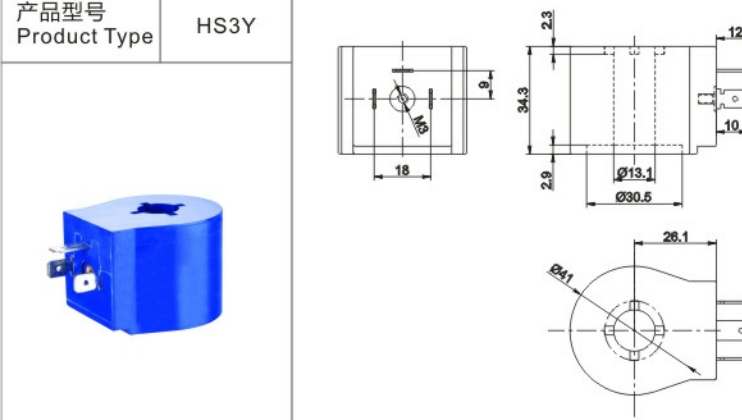
产品编号 Product No.	SB248	外形图 Outside View	包覆材料类型 Type Of Coating Material	热塑类 Thermoplastic coils	
产品型号 Product Type	FDF		常规电压 Normal Voltage	DC12V、DC24V、AC110V、AC220V	
常规功率 Normal Power	AC		6W		
	DC		6W、18W、64W		
线圈连接方式 Connection Type	插片式 Pin type				
连接件规格 Connector Specifications	—				

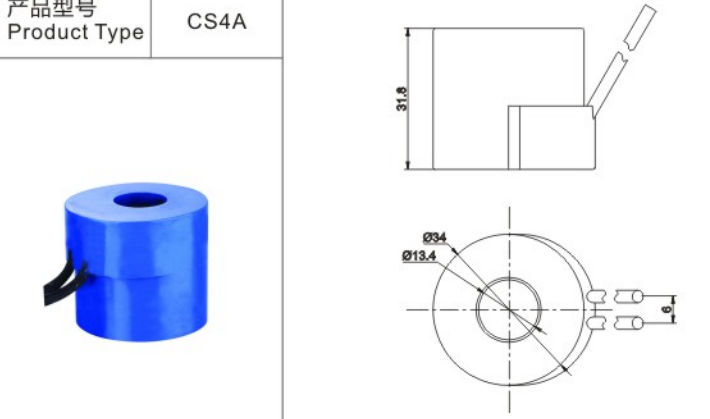
产品编号 Product No.	SB504	外形图 Outside View	包覆材料类型 Type Of Coating Material	热塑类 Thermoplastic coils	
产品型号 Product Type	XY12292X		常规电压 Normal Voltage	DC12V、DC24V	
常规功率 Normal Power	AC		—		
	DC		16.5W		
线圈连接方式 Connection Type	引线式 With Flying leads				
连接件规格 Connector Specifications	22AWG/0.34mm <sup>2</sup> , 300mm				

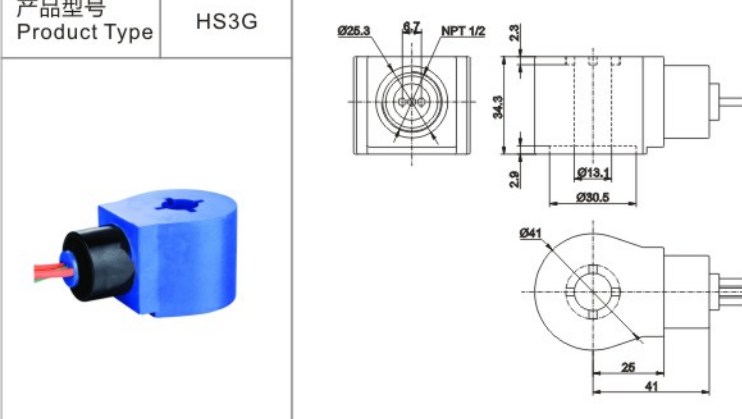
产品编号 Product No.	SB718	外形图 Outside View	包覆材料类型 Type Of Coating Material	热塑类 Thermoplastic coils	
产品型号 Product Type	ERB		常规电压 Normal Voltage	DC12V、DC24V	
常规功率 Normal Power	AC		—		
	DC		9W、35W		
线圈连接方式 Connection Type	引线式 With Flying leads				
连接件规格 Connector Specifications	22AWG/0.34mm <sup>2</sup> , 500mm				

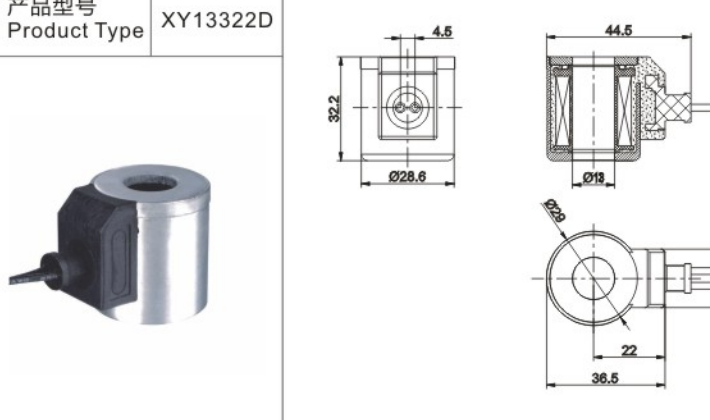
产品编号 Product No.	SB069	外形图 Outside View	包覆材料类型 Type Of Coating Material	热固类 Thermosetting coils	
产品型号 Product Type	ZQ-B		常规电压 Normal Voltage	DC12V、DC24V	
常规功率 Normal Power	AC		—		
	DC		12.5W、13W、23W		
线圈连接方式 Connection Type	引线式 With Flying leads				
连接件规格 Connector Specifications	22AWG/0.34mm <sup>2</sup> , 100mm				

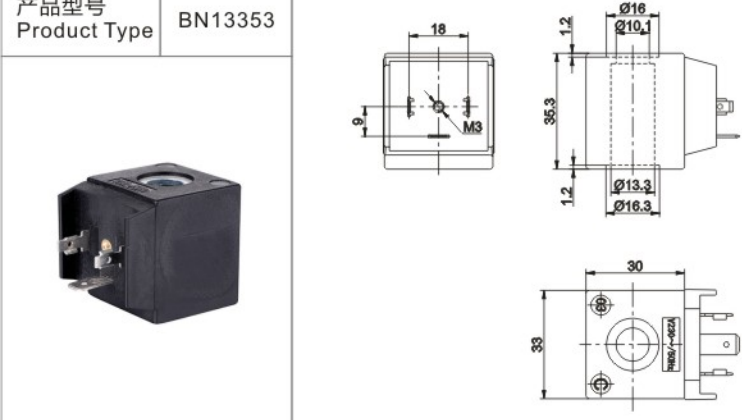
产品编号 Product No.	SB822	外形图 Outside View	包覆材料类型 Type Of Coating Material	热塑类 Thermoplastic coils	
产品型号 Product Type	CS3A		常规电压 Normal Voltage	DC12V、DC24V、AC24V、AC110V、AC220V	
			常规功率 Normal Power	AC	—
			DC	9W	
			线圈连接方式 Connection Type	引线式 With Flying leads	
		连接件规格 Connector Specifications	18AWG/0.75mm <sup>2</sup> , 610mm		

产品编号 Product No.	SB823	外形图 Outside View	包覆材料类型 Type Of Coating Material	热塑类 Thermoplastic coils	
产品型号 Product Type	HS3Y		常规电压 Normal Voltage	DC12V、DC24V、AC24V、AC110V	
			常规功率 Normal Power	AC	17VA
			DC	9W	
			线圈连接方式 Connection Type	插片式 Pin type	
		连接件规格 Connector Specifications	DIN43650A		

产品编号 Product No.	SB833	外形图 Outside View	包覆材料类型 Type Of Coating Material	热塑类 Thermoplastic coils	
产品型号 Product Type	CS4A		常规电压 Normal Voltage	DC12V、DC24V、AC24V、AC110V、AC220V	
			常规功率 Normal Power	AC	—
			DC	10W、14W	
			线圈连接方式 Connection Type	引线式 With Flying leads	
		连接件规格 Connector Specifications	18AWG/0.75mm <sup>2</sup> , 610mm		

产品编号 Product No.	SB824	外形图 Outside View	包覆材料类型 Type Of Coating Material	热塑类 Thermoplastic coils	
产品型号 Product Type	HS3G		常规电压 Normal Voltage	DC24V、AC110V	
			常规功率 Normal Power	AC	17VA
			DC	10W	
			线圈连接方式 Connection Type	引线式 With Flying leads	
		连接件规格 Connector Specifications	18AWG/0.75mm <sup>2</sup> , 310mm		

产品编号 Product No.	SB537	外形图 Outside View	包覆材料类型 Type Of Coating Material	热塑类 Thermoplastic coils	
产品型号 Product Type	XY13322D		常规电压 Normal Voltage	DC12V、DC24V	
			常规功率 Normal Power	AC	—
			DC	11.8W	
			线圈连接方式 Connection Type	引线式 With Flying leads	
		连接件规格 Connector Specifications	18AWG/0.75mm <sup>2</sup> , 430mm		

产品编号 Product No.	SB520	外形图 Outside View	包覆材料类型 Type Of Coating Material	热塑类 Thermoplastic coils	
产品型号 Product Type	BN13353		常规电压 Normal Voltage	DC12V、DC24V、AC24V、AC220V	
			常规功率 Normal Power	AC	13VA、15VA、22VA
			DC	16W、16.5W	
			线圈连接方式 Connection Type	插片式 Pin type	
		连接件规格 Connector Specifications	DIN43650A		

产品编号 Product No.	SB497	外形图 Outside View	包覆材料类型 Type Of Coating Material	热塑类 Thermoplastic coils	
产品型号 Product Type	SF08		常规电压 Normal Voltage	DC24V、DC28V、AC230V	
常规功率 Normal Power	AC		15W		
	DC		16W、20W		
线圈连接方式 Connection Type	接插式 Meet & Insert Type				
连接件规格 Connector Specifications	DEUTSCH DT04-2P				

产品编号 Product No.	SB722	外形图 Outside View	包覆材料类型 Type Of Coating Material	热塑类 Thermoplastic coils	
产品型号 Product Type	SL13372		常规电压 Normal Voltage	DC12V、DC24V、AC24V、AC220V	
常规功率 Normal Power	AC		8W		
	DC		8W、10W		
线圈连接方式 Connection Type	插片式 Pin type				
连接件规格 Connector Specifications	6.3-2P				

产品编号 Product No.	SB518	外形图 Outside View	包覆材料类型 Type Of Coating Material	热塑类 Thermoplastic coils	
产品型号 Product Type	XY5P13		常规电压 Normal Voltage	DC12V、DC24V、AC24V、AC110V、AC220V	
常规功率 Normal Power	AC		19VA		
	DC		17W、19W、20W		
线圈连接方式 Connection Type	插片式 Pin type				
连接件规格 Connector Specifications	DIN43650A				

产品编号 Product No.	SB826	外形图 Outside View	包覆材料类型 Type Of Coating Material	热塑类 Thermoplastic coils	
产品型号 Product Type	SL13372B		常规电压 Normal Voltage	DC12V、AC220V	
常规功率 Normal Power	AC		14VA		
	DC		17W、18W		
线圈连接方式 Connection Type	插片式 Pin type				
连接件规格 Connector Specifications	6.3-2P				

产品编号 Product No.	SB958	外形图 Outside View	包覆材料类型 Type Of Coating Material	热塑类 Thermoplastic coils	
产品型号 Product Type	XY5P13-B		常规电压 Normal Voltage	DC24V	
常规功率 Normal Power	AC		—		
	DC		7.5W		
线圈连接方式 Connection Type	引线式 With Flying leads				
连接件规格 Connector Specifications	FLRY-B/0.75mm <sup>2</sup> , 500mm				

产品编号 Product No.	SB894	外形图 Outside View	包覆材料类型 Type Of Coating Material	热塑类 Thermoplastic coils	
产品型号 Product Type	SL13372C		常规电压 Normal Voltage	DC110V	
常规功率 Normal Power	AC		—		
	DC		30W		
线圈连接方式 Connection Type	插片式 Pin type				
连接件规格 Connector Specifications	6.3-2P				

产品编号 Product No.	SB935	外形图 Outside View	包覆材料类型 Type Of Coating Material	热塑类 Thermoplastic coils
产品型号 Product Type	SL13372D		常规电压 Normal Voltage	DC12V、DC24V
			常规功率 Normal Power	AC — DC 13W、18W
			线圈连接方式 Connection Type	接插式 Meet & Insert Type
			连接件规格 Connector Specifications	AMP 282080-1 AMP 2435050-1

产品编号 Product No.	SB901	外形图 Outside View	包覆材料类型 Type Of Coating Material	热塑类 Thermoplastic coils
产品型号 Product Type	XY13372X		常规电压 Normal Voltage	DC10V、DC12V、DC24V
			常规功率 Normal Power	AC — DC 18W、22W
			线圈连接方式 Connection Type	引线式 With Flying leads
			连接件规格 Connector Specifications	18AWG/0.75mm <sup>2</sup> , 2000mm

产品编号 Product No.	SB276	外形图 Outside View	包覆材料类型 Type Of Coating Material	热塑类 Thermoplastic coils
产品型号 Product Type	13372		常规电压 Normal Voltage	DC12V、DC24V
			常规功率 Normal Power	AC — DC 18W
			线圈连接方式 Connection Type	插片式 Pin type
			连接件规格 Connector Specifications	6.3-2P

产品编号 Product No.	SB1133	外形图 Outside View	包覆材料类型 Type Of Coating Material	热塑类 Thermoplastic coils
产品型号 Product Type	XY13372-1X		常规电压 Normal Voltage	DC12V
			常规功率 Normal Power	AC — DC 18W
			线圈连接方式 Connection Type	引线式 With Flying leads
			连接件规格 Connector Specifications	2X0.5mm <sup>2</sup> , 350mm

产品编号 Product No.	SB848	外形图 Outside View	包覆材料类型 Type Of Coating Material	热塑类 Thermoplastic coils
产品型号 Product Type	XY13372-A		常规电压 Normal Voltage	DC10V、DC12V、DC24V、DC48V
			常规功率 Normal Power	AC — DC 16W、18W
			线圈连接方式 Connection Type	插片式 Pin type
			连接件规格 Connector Specifications	6.3-2P

产品编号 Product No.	SB776	外形图 Outside View	包覆材料类型 Type Of Coating Material	热塑类 Thermoplastic coils
产品型号 Product Type	SK13372S		常规电压 Normal Voltage	DC12V、DC24V
			常规功率 Normal Power	AC — DC 21W
			线圈连接方式 Connection Type	螺纹式 With Screw
			连接件规格 Connector Specifications	M4X12.5

产品编号 Product No.	SB275	外形图 Outside View	包覆材料类型 Type Of Coating Material	热塑类 Thermoplastic coils
产品型号 Product Type	13373		常规电压 Normal Voltage	DC12V、DC24V、 RAC110V、RAC220V
			常规功率 Normal Power	AC 19W、22W DC 18W、21W、23W
			线圈连接方式 Connection Type	插片式 Pin type
			连接件规格 Connector Specifications	DIN43650A

产品编号 Product No.	SB514	外形图 Outside View	包覆材料类型 Type Of Coating Material	热塑类 Thermoplastic coils
产品型号 Product Type	IH13383		常规电压 Normal Voltage	DC12V、DC24V、AC110V、 AC220V、RAC110V、RAC220V
			常规功率 Normal Power	AC 18VA、30VA 14W、22W、28W DC 14W、18W、22W、28W
			线圈连接方式 Connection Type	插片式 Pin type
			连接件规格 Connector Specifications	DIN43650A

产品编号 Product No.	SB524	外形图 Outside View	包覆材料类型 Type Of Coating Material	热塑类 Thermoplastic coils
产品型号 Product Type	XY13373X		常规电压 Normal Voltage	DC12V、DC24V、RAC110V
			常规功率 Normal Power	AC 22W DC 15W、18W、21W
			线圈连接方式 Connection Type	引线式 With Flying leads
			连接件规格 Connector Specifications	18AWG/0.75mm <sup>2</sup> , 480mm

产品编号 Product No.	SB515	外形图 Outside View	包覆材料类型 Type Of Coating Material	热塑类 Thermoplastic coils
产品型号 Product Type	IH13382		常规电压 Normal Voltage	DC12V、DC24V
			常规功率 Normal Power	AC — DC 18W、28W
			线圈连接方式 Connection Type	接插式 Meet & Insert Type
			连接件规格 Connector Specifications	DEUTSCH DT04-2P

产品编号 Product No.	SB048	外形图 Outside View	包覆材料类型 Type Of Coating Material	热塑类 Thermoplastic coils
产品型号 Product Type	YY-A		常规电压 Normal Voltage	DC10V、DC24V、RAC24V、 RAC110V、RAC220V
			常规功率 Normal Power	AC 18W DC 16W、23W
			线圈连接方式 Connection Type	插片式 Pin type
			连接件规格 Connector Specifications	DIN43650A

产品编号 Product No.	SB1249	外形图 Outside View	包覆材料类型 Type Of Coating Material	热塑类 Thermoplastic coils
产品型号 Product Type	XY13382L		常规电压 Normal Voltage	DC12V、DC24V
			常规功率 Normal Power	AC — DC 18W
			线圈连接方式 Connection Type	带螺纹接头 Pin Type With Screw
			连接件规格 Connector Specifications	$\phi 4-2P$ M24X1

产品编号 Product No.	SB555	外形图 Outside View	包覆材料类型 Type Of Coating Material	热塑类 Thermoplastic coils
产品型号 Product Type	CS13392		常规电压 Normal Voltage	DC12V、DC24V、AC110V、AC220V、RAC110V、RAC220V
常规功率 Normal Power	AC		24W	
	DC		18W、22W、27W	
线圈连接方式 Connection Type	引线式 With Flying leads			
连接件规格 Connector Specifications	18AWG/0.75mm <sup>2</sup> , 300mm			

产品编号 Product No.	SB842	外形图 Outside View	包覆材料类型 Type Of Coating Material	热塑类 Thermoplastic coils
产品型号 Product Type	LV13392		常规电压 Normal Voltage	DC10V、DC24V、DC48V
常规功率 Normal Power	AC		—	
	DC		18W、25W	
线圈连接方式 Connection Type	插片式 Pin type			
连接件规格 Connector Specifications	6.3-2P			

产品编号 Product No.	SB839	外形图 Outside View	包覆材料类型 Type Of Coating Material	热塑类 Thermoplastic coils
产品型号 Product Type	CS13392-2		常规电压 Normal Voltage	DC10V、DC12V、DC24V
常规功率 Normal Power	AC		—	
	DC		22W	
线圈连接方式 Connection Type	引线式 With Flying leads			
连接件规格 Connector Specifications	18AWG/0.75mm <sup>2</sup> , 300mm			

产品编号 Product No.	SB1126	外形图 Outside View	包覆材料类型 Type Of Coating Material	热塑类 Thermoplastic coils
产品型号 Product Type	LV13392-A		常规电压 Normal Voltage	DC10V
常规功率 Normal Power	AC		—	
	DC		18W	
线圈连接方式 Connection Type	插片式 Pin type			
连接件规格 Connector Specifications	6.3-2P			

产品编号 Product No.	SB242	外形图 Outside View	包覆材料类型 Type Of Coating Material	热塑类 Thermoplastic coils
产品型号 Product Type	HB700		常规电压 Normal Voltage	DC12V、DC24V、AC110V、AC220V
常规功率 Normal Power	AC		13VA	
	DC		10W	
线圈连接方式 Connection Type	插片式 Pin type			
连接件规格 Connector Specifications	DIN43650A			

产品编号 Product No.	SB1134	外形图 Outside View	包覆材料类型 Type Of Coating Material	热塑类 Thermoplastic coils
产品型号 Product Type	LV13392-1X		常规电压 Normal Voltage	DC10V、DC12V、DC24V
常规功率 Normal Power	AC		—	
	DC		18W	
线圈连接方式 Connection Type	引线式 With Flying leads			
连接件规格 Connector Specifications	2X0.5mm <sup>2</sup> , 350mm			

产品编号 Product No.	SB1087	外形图 Outside View	包覆材料类型 Type Of Coating Material	热塑类 Thermoplastic coils
产品型号 Product Type	LV13392-2X		常规电压 Normal Voltage	DC10V
常规功率 Normal Power	AC	—	线圈连接方式 Connection Type	引线式 With Flying leads
	DC			
连接件规格 Connector Specifications	18AWG/0.75mm <sup>2</sup> , 350mm			

产品编号 Product No.	SB488	外形图 Outside View	包覆材料类型 Type Of Coating Material	热塑类 Thermoplastic coils
产品型号 Product Type	C13TH24/14		常规电压 Normal Voltage	DC12V, DC24V, AC110V, AC220V
常规功率 Normal Power	AC	27VA	线圈连接方式 Connection Type	插片式 Pin type
	DC			
连接件规格 Connector Specifications	DIN43650A			

产品编号 Product No.	SB912	外形图 Outside View	包覆材料类型 Type Of Coating Material	热塑类 Thermoplastic coils
产品型号 Product Type	XY13393		常规电压 Normal Voltage	DC24V, AC110V, AC220V
常规功率 Normal Power	AC	14.5VA	线圈连接方式 Connection Type	插片式 Pin type
	DC			
连接件规格 Connector Specifications	DIN43650A			

产品编号 Product No.	SB519	外形图 Outside View	包覆材料类型 Type Of Coating Material	热塑类 Thermoplastic coils
产品型号 Product Type	XY5M13		常规电压 Normal Voltage	DC12V, DC24V, AC24V, AC110V, AC220V
常规功率 Normal Power	AC	13VA	线圈连接方式 Connection Type	插片式 Pin type
	DC			
连接件规格 Connector Specifications	DIN43650A			

产品编号 Product No.	SB1088	外形图 Outside View	包覆材料类型 Type Of Coating Material	热塑类 Thermoplastic coils
产品型号 Product Type	XY13393-TK		常规电压 Normal Voltage	DC24V, AC110V, AC220V
常规功率 Normal Power	AC	14.5VA	线圈连接方式 Connection Type	插片式 Pin type
	DC			
连接件规格 Connector Specifications	DIN43650A			

产品编号 Product No.	SB795	外形图 Outside View	包覆材料类型 Type Of Coating Material	热塑类 Thermoplastic coils
产品型号 Product Type	XY5M13-1		常规电压 Normal Voltage	DC12V, DC24V, AC24V, AC220V
常规功率 Normal Power	AC	13VA, 19VA	线圈连接方式 Connection Type	插片式 Pin type
	DC			
连接件规格 Connector Specifications	DIN43650A			

产品编号 Product No.	SB496	外形图 Outside View	包覆材料类型 Type Of Coating Material	热塑类 Thermoplastic coils
产品型号 Product Type	SV98		常规电压 Normal Voltage	DC12V、DC24V
常规功率 Normal Power	AC		—	
	DC		20W	
线圈连接方式 Connection Type	接插式 Meet & Insert Type			
连接件规格 Connector Specifications	DEUTSCH DT04-2P			

产品编号 Product No.	SB548	外形图 Outside View	包覆材料类型 Type Of Coating Material	热固类 Thermosetting coils
产品型号 Product Type	SHY13402X		常规电压 Normal Voltage	DC24V
常规功率 Normal Power	AC		—	
	DC		18W	
线圈连接方式 Connection Type	引线式 With Flying leads			
连接件规格 Connector Specifications	20AWG/0.5mm <sup>2</sup> , 300mm			

产品编号 Product No.	SB951	外形图 Outside View	包覆材料类型 Type Of Coating Material	热固类 Thermosetting coils
产品型号 Product Type	JF13402X		常规电压 Normal Voltage	DC24V
常规功率 Normal Power	AC		—	
	DC		18W	
线圈连接方式 Connection Type	引线式 With Flying leads			
连接件规格 Connector Specifications	20AWG/0.5mm <sup>2</sup> , 300mm			

产品编号 Product No.	SB820	外形图 Outside View	包覆材料类型 Type Of Coating Material	热塑类 Thermoplastic coils
产品型号 Product Type	DB13403		常规电压 Normal Voltage	DC12V、DC24V、AC24V、AC110V、AC230V
常规功率 Normal Power	AC		10VA	
	DC		7W、10W、12W	
线圈连接方式 Connection Type	插片式 Pin type			
连接件规格 Connector Specifications	DIN43650A			

产品编号 Product No.	SB850	外形图 Outside View	包覆材料类型 Type Of Coating Material	热塑类 Thermoplastic coils
产品型号 Product Type	BY13402		常规电压 Normal Voltage	DC12V
常规功率 Normal Power	AC		—	
	DC		113W、144W	
线圈连接方式 Connection Type	—			
连接件规格 Connector Specifications	—			

产品编号 Product No.	SB949	外形图 Outside View	包覆材料类型 Type Of Coating Material	热塑类 Thermoplastic coils
产品型号 Product Type	XY13402		常规电压 Normal Voltage	DC24V
常规功率 Normal Power	AC		—	
	DC		18W	
线圈连接方式 Connection Type	螺纹式 With Screw			
连接件规格 Connector Specifications	M4			

产品编号 Product No.	SB486	外形图 Outside View	包覆材料类型 Type Of Coating Material	热塑类 Thermoplastic coils	
产品型号 Product Type	GEM13403		常规电压 Normal Voltage	DC12V、DC24V、AC24V、AC110V、AC220V	
常规功率 Normal Power	AC		18VA		
	DC		8W、10W、18W		
线圈连接方式 Connection Type	插片式 Pin type				
连接件规格 Connector Specifications	DIN43650A				

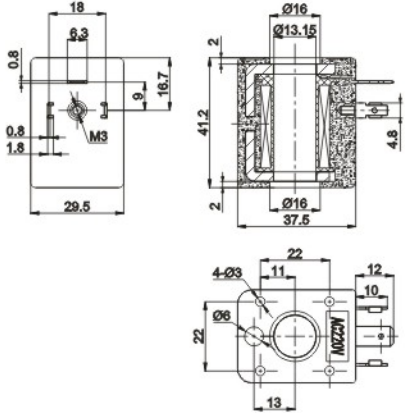
产品编号 Product No.	SB895	外形图 Outside View	包覆材料类型 Type Of Coating Material	热塑类 Thermoplastic coils	
产品型号 Product Type	XY13503-B		常规电压 Normal Voltage	AC24V、AC220V	
常规功率 Normal Power	AC		12W、17W		
	DC		—		
线圈连接方式 Connection Type	插片式 Pin type				
连接件规格 Connector Specifications	DIN43650A				

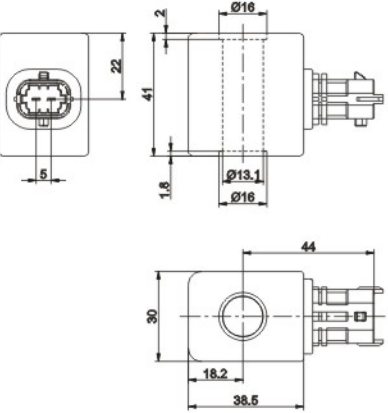
产品编号 Product No.	SB739	外形图 Outside View	包覆材料类型 Type Of Coating Material	热塑类 Thermoplastic coils	
产品型号 Product Type	GEM13403B		常规电压 Normal Voltage	DC12V、DC24V、AC220V	
常规功率 Normal Power	AC		18VA		
	DC		10W		
线圈连接方式 Connection Type	插片式 Pin type				
连接件规格 Connector Specifications	DIN43650A				

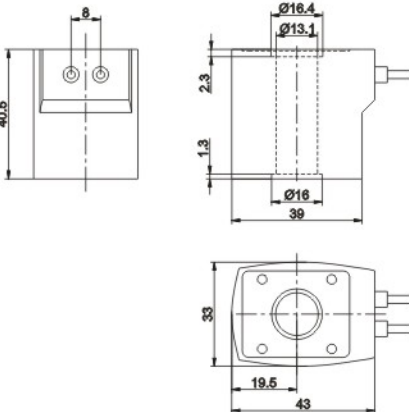
产品编号 Product No.	SB922	外形图 Outside View	包覆材料类型 Type Of Coating Material	热塑类 Thermoplastic coils	
产品型号 Product Type	RB200		常规电压 Normal Voltage	DC12V、DC24V	
常规功率 Normal Power	AC		—		
	DC		12W		
线圈连接方式 Connection Type	插片式 Pin type				
连接件规格 Connector Specifications	DIN43650A				

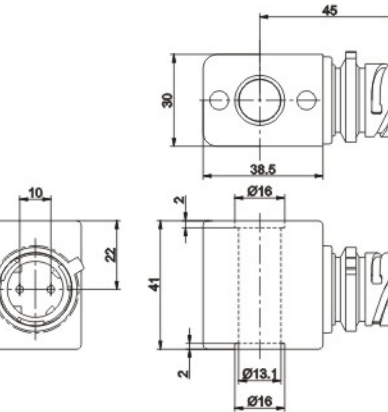
产品编号 Product No.	SB758	外形图 Outside View	包覆材料类型 Type Of Coating Material	热塑类 Thermoplastic coils	
产品型号 Product Type	RV13403		常规电压 Normal Voltage	DC12V	
常规功率 Normal Power	AC		—		
	DC		4.8W		
线圈连接方式 Connection Type	插片式 Pin type				
连接件规格 Connector Specifications	DIN43650A				

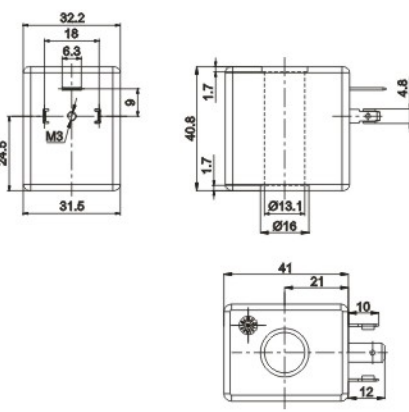
产品编号 Product No.	SB1232	外形图 Outside View	包覆材料类型 Type Of Coating Material	热塑类 Thermoplastic coils	
产品型号 Product Type	RB200B		常规电压 Normal Voltage	DC12V、DC24V、AC24V、AC110V、AC220V	
常规功率 Normal Power	AC		12W、17W		
	DC		12W		
线圈连接方式 Connection Type	插片式 Pin type				
连接件规格 Connector Specifications	DIN43650A				

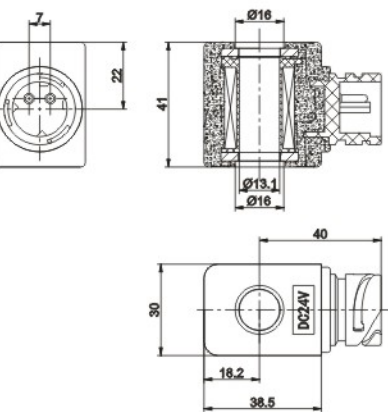
产品编号 Product No.	SB050	外形图 Outside View	包覆材料类型 Type Of Coating Material	热固类 Thermosetting coils
产品型号 Product Type	0200		常规电压 Normal Voltage	DC12V、DC24V、AC24V、 AC110V、AC220V
			常规功率 Normal Power	AC 9VA、15VA、20VA DC 12W、17W
			线圈连接方式 Connection Type	插片式 Pin type
			连接件规格 Connector Specifications	DIN43650A

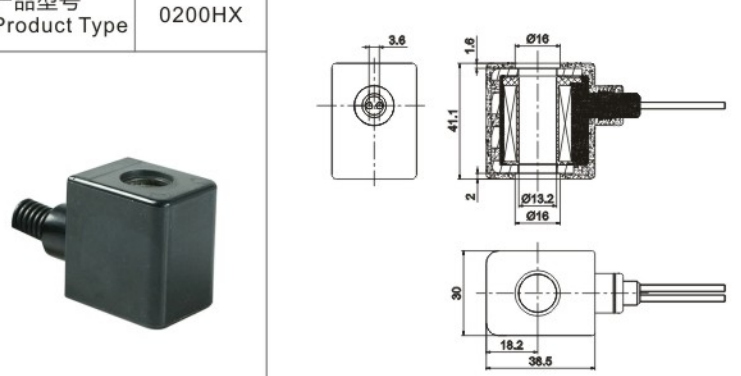
产品编号 Product No.	SB1011	外形图 Outside View	包覆材料类型 Type Of Coating Material	热固类 Thermosetting coils
产品型号 Product Type	0200F		常规电压 Normal Voltage	DC12V、DC24V
			常规功率 Normal Power	AC — DC 12W、18W
			线圈连接方式 Connection Type	接插式 Meet & Insert Type
			连接件规格 Connector Specifications	—

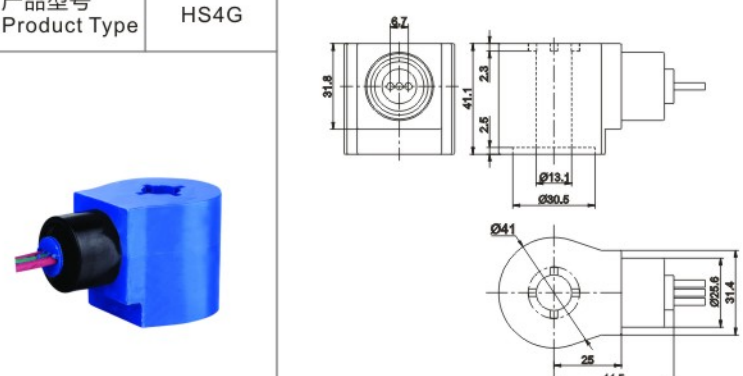
产品编号 Product No.	SB051	外形图 Outside View	包覆材料类型 Type Of Coating Material	热塑类 Thermoplastic coils
产品型号 Product Type	0200B		常规电压 Normal Voltage	DC12V、DC24V、AC24V、 AC110V、AC220V
			常规功率 Normal Power	AC 9VA、15VA DC 12W
			线圈连接方式 Connection Type	引线式 With Flying leads
			连接件规格 Connector Specifications	20AWG/0.5mm <sup>2</sup> , 800mm

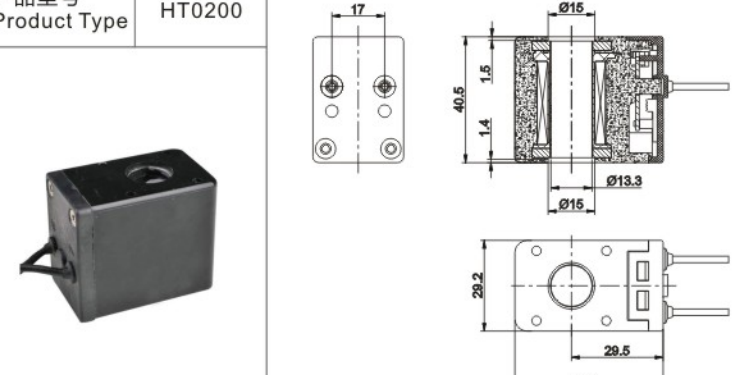
产品编号 Product No.	SB1010	外形图 Outside View	包覆材料类型 Type Of Coating Material	热固类 Thermosetting coils
产品型号 Product Type	0200G		常规电压 Normal Voltage	DC12V、DC24V
			常规功率 Normal Power	AC — DC 12W
			线圈连接方式 Connection Type	接插式 Meet & Insert Type
			连接件规格 Connector Specifications	ISO 15170-A1-2.3-Sn/K1

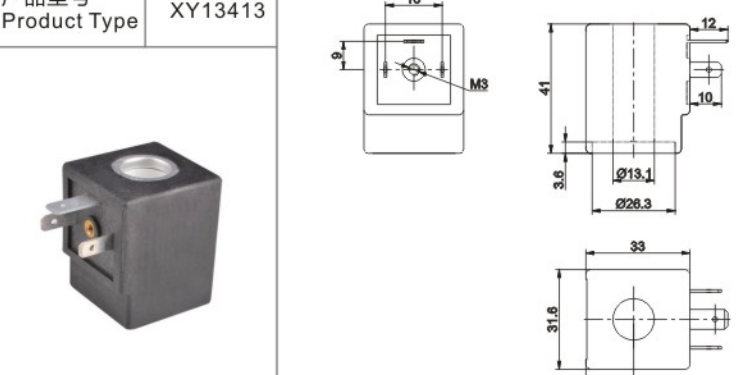
产品编号 Product No.	SB547	外形图 Outside View	包覆材料类型 Type Of Coating Material	热固类 Thermosetting coils
产品型号 Product Type	0200D		常规电压 Normal Voltage	DC12V、DC24V、AC24V、 AC110V、AC220V
			常规功率 Normal Power	AC 15VA、18VA、26VA DC 12W、15W
			线圈连接方式 Connection Type	插片式 Pin type
			连接件规格 Connector Specifications	DIN43650A

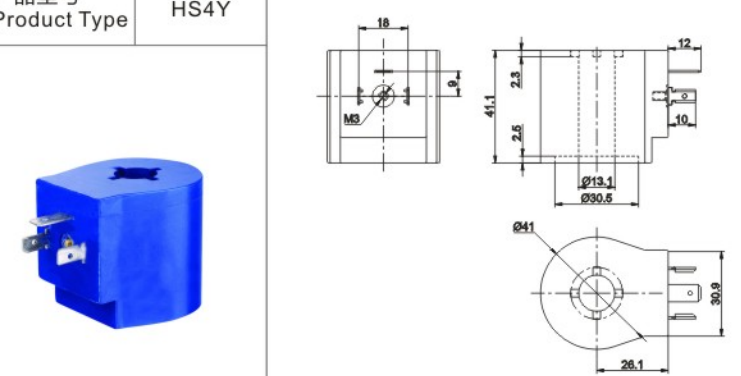
产品编号 Product No.	SB1211	外形图 Outside View	包覆材料类型 Type Of Coating Material	热固类 Thermosetting coils
产品型号 Product Type	0200X		常规电压 Normal Voltage	DC24V
			常规功率 Normal Power	AC — DC 12W
			线圈连接方式 Connection Type	接插式 Meet & Insert Type
			连接件规格 Connector Specifications	ISO 15170-A1-2.3-Sn/K1

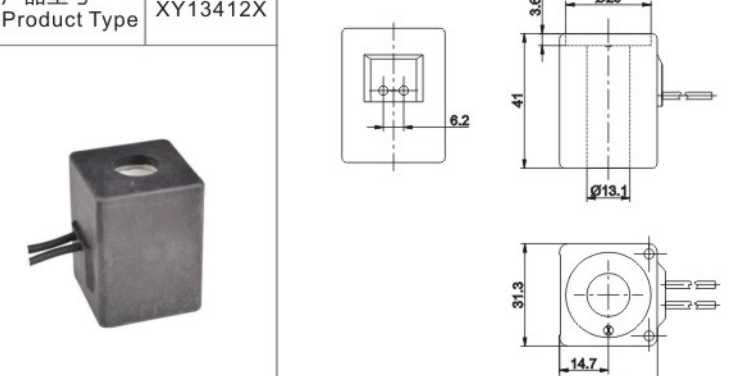
产品编号 Product No.	SB1057	外形图 Outside View	包覆材料类型 Type Of Coating Material	热固类 Thermosetting coils
产品型号 Product Type	0200HX		常规电压 Normal Voltage	DC12V、DC24V
常规功率 Normal Power	AC		—	
	DC		12W	
线圈连接方式 Connection Type	引线式 With Flying leads			
连接件规格 Connector Specifications	WDZ-RV /0.75mm <sup>2</sup> , 100mm			

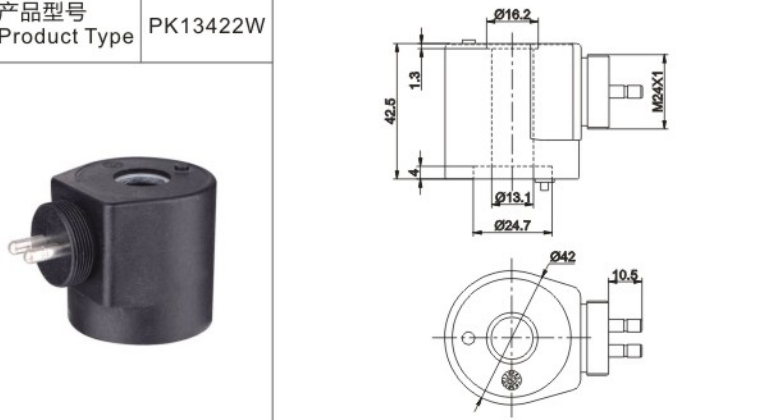
产品编号 Product No.	SB832	外形图 Outside View	包覆材料类型 Type Of Coating Material	热塑类 Thermoplastic coils
产品型号 Product Type	HS4G		常规电压 Normal Voltage	DC12V、DC24V、AC24V、AC110V、AC220V
常规功率 Normal Power	AC		—	
	DC		10W、14W	
线圈连接方式 Connection Type	引线式 With Flying leads			
连接件规格 Connector Specifications	18AWG/0.75mm <sup>2</sup> , 600mm			

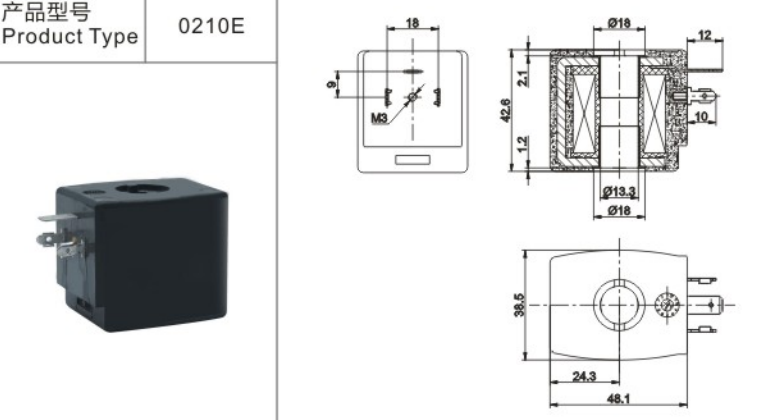
产品编号 Product No.	SB917	外形图 Outside View	包覆材料类型 Type Of Coating Material	热固类 Thermosetting coils
产品型号 Product Type	HT0200		常规电压 Normal Voltage	DC110V
常规功率 Normal Power	AC		—	
	DC		9.5W	
线圈连接方式 Connection Type	引线式 With Flying leads			
连接件规格 Connector Specifications	20AWG /0.5mm <sup>2</sup> , 550mm			

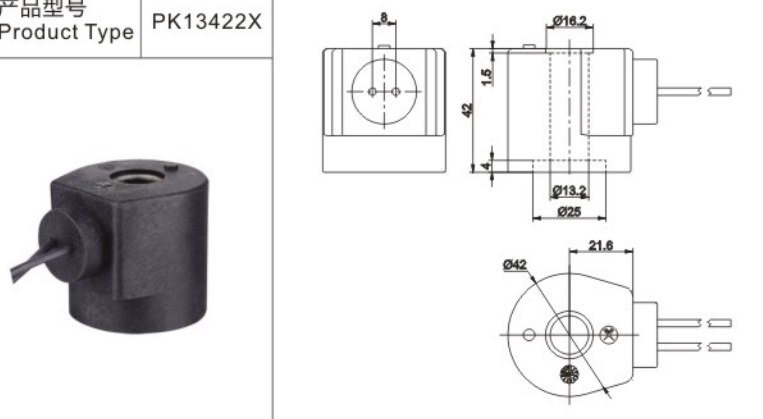
产品编号 Product No.	SB883	外形图 Outside View	包覆材料类型 Type Of Coating Material	热塑类 Thermoplastic coils
产品型号 Product Type	XY13413		常规电压 Normal Voltage	DC12V、DC24V、AC24V、AC110V、AC220V
常规功率 Normal Power	AC		8W	
	DC		10W	
线圈连接方式 Connection Type	插片式 Pin type			
连接件规格 Connector Specifications	DIN43650A			

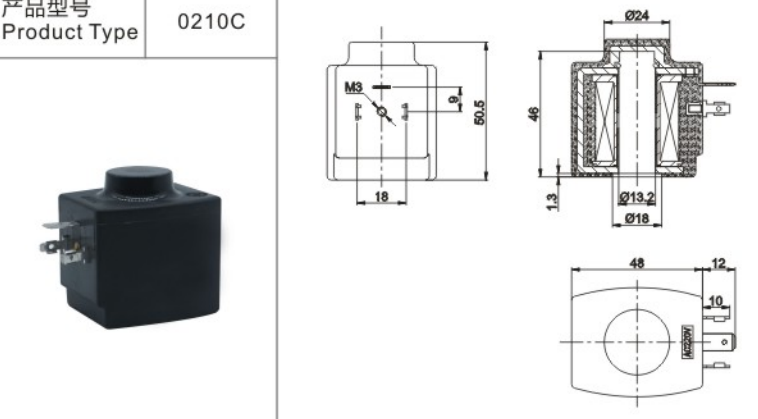
产品编号 Product No.	SB831	外形图 Outside View	包覆材料类型 Type Of Coating Material	热塑类 Thermoplastic coils
产品型号 Product Type	HS4Y		常规电压 Normal Voltage	DC12V、DC24V、AC24V、AC110V、AC220V
常规功率 Normal Power	AC		—	
	DC		10W、14W	
线圈连接方式 Connection Type	插片式 Pin type			
连接件规格 Connector Specifications	DIN43650A			

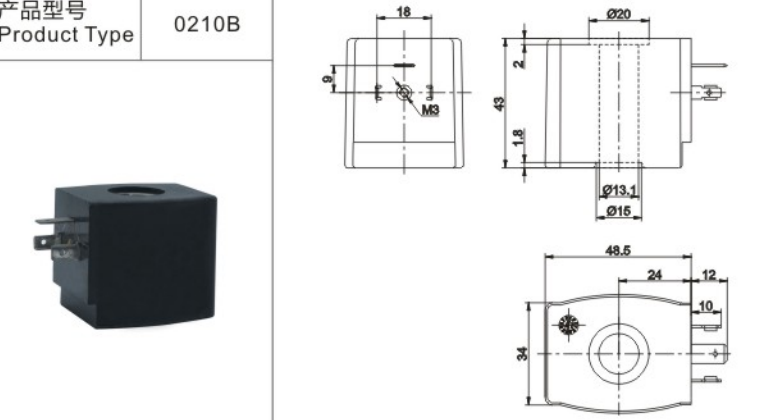
产品编号 Product No.	SB884	外形图 Outside View	包覆材料类型 Type Of Coating Material	热塑类 Thermoplastic coils
产品型号 Product Type	XY13412X		常规电压 Normal Voltage	DC12V、DC24V、AC24V、AC120V
常规功率 Normal Power	AC		8W	
	DC		10W、14.5W	
线圈连接方式 Connection Type	引线式 With Flying leads			
连接件规格 Connector Specifications	18AWG/0.75mm <sup>2</sup> , 460mm			

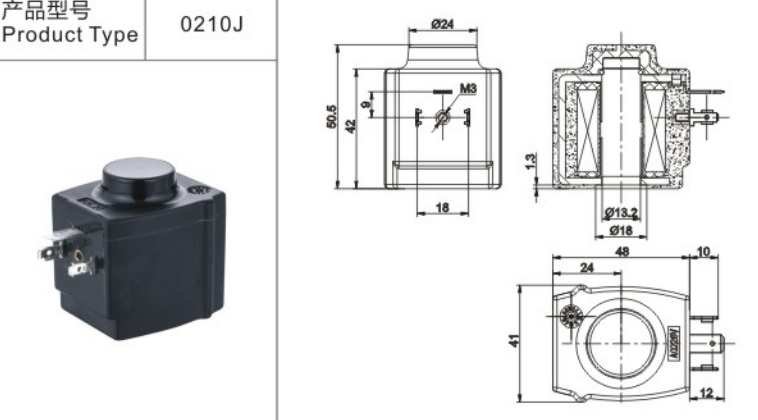
产品编号 Product No.	SB757	外形图 Outside View	包覆材料类型 Type Of Coating Material	热塑类 Thermoplastic coils		
产品型号 Product Type	PK13422W		常规电压 Normal Voltage	DC12V、DC24V		
			常规功率 Normal Power	AC	—	
			DC	12W		
			线圈连接方式 Connection Type	螺纹式 With Screw		
		连接件规格 Connector Specifications	M24X1			

产品编号 Product No.	SB1056	外形图 Outside View	包覆材料类型 Type Of Coating Material	热固类 Thermosetting coils		
产品型号 Product Type	0210E		常规电压 Normal Voltage	DC12V、DV24V、AC110V、AC220V		
			常规功率 Normal Power	AC	16VA	
			DC	15W		
			线圈连接方式 Connection Type	插片式 Pin type		
		连接件规格 Connector Specifications	DIN43650A			

产品编号 Product No.	SB564	外形图 Outside View	包覆材料类型 Type Of Coating Material	热塑类 Thermoplastic coils		
产品型号 Product Type	PK13422X		常规电压 Normal Voltage	DC12V、DC24V		
			常规功率 Normal Power	AC	—	
			DC	11.5W		
			线圈连接方式 Connection Type	引线式 With Flying leads		
		连接件规格 Connector Specifications	20AWG/0.5mm <sup>2</sup> , 150mm			

产品编号 Product No.	SB735	外形图 Outside View	包覆材料类型 Type Of Coating Material	热固类 Thermosetting coils		
产品型号 Product Type	0210C		常规电压 Normal Voltage	DC12V、DC24V、AC24V、AC110V、AC220V		
			常规功率 Normal Power	AC	13VA、26VA	
			DC	13W、18W		
			线圈连接方式 Connection Type	插片式 Pin type		
		连接件规格 Connector Specifications	DIN43650A			

产品编号 Product No.	SB428	外形图 Outside View	包覆材料类型 Type Of Coating Material	热固类 Thermosetting coils		
产品型号 Product Type	0210B		常规电压 Normal Voltage	DC12V、DC24V、AC24V、AC220V		
			常规功率 Normal Power	AC	4.8W、6.8W	
			DC	14W、20W		
			线圈连接方式 Connection Type	插片式 Pin type		
		连接件规格 Connector Specifications	DIN43650A			

产品编号 Product No.	SB1242	外形图 Outside View	包覆材料类型 Type Of Coating Material	热固类 Thermosetting coils		
产品型号 Product Type	0210J		常规电压 Normal Voltage	DC12V、DC24V、AC220V、AC230V、AC380V		
			常规功率 Normal Power	AC	13VA	
			DC	18W		
			线圈连接方式 Connection Type	插片式 Pin type		
		连接件规格 Connector Specifications	DIN43650A			

产品编号 Product No.	SB794	外形图 Outside View	包覆材料类型 Type Of Coating Material	热塑类 Thermoplastic coils		
产品型号 Product Type	XY13512		常规电压 Normal Voltage	DC12V、DC24V、RAC120V		
			常规功率 Normal Power	AC	23W	
			DC	18W、23W		
			线圈连接方式 Connection Type	接插式 Meet & Insert Type		
		连接件规格 Connector Specifications	DEUTSCH DT04-2P			

产品编号 Product No.	SB054	外形图 Outside View	包覆材料类型 Type Of Coating Material	热固类 Thermosetting coils		
产品型号 Product Type	AB310		常规电压 Normal Voltage	DC24V、AC220V		
			常规功率 Normal Power	AC	15VA	
			DC	9W、11W		
			线圈连接方式 Connection Type	插片式 Pin type		
		连接件规格 Connector Specifications	DIN43650A			

产品编号 Product No.	SB873	外形图 Outside View	包覆材料类型 Type Of Coating Material	热塑类 Thermoplastic coils		
产品型号 Product Type	XY13503		常规电压 Normal Voltage	AC220V		
			常规功率 Normal Power	AC	—	
			DC	—		
			线圈连接方式 Connection Type	插片式 Pin type		
		连接件规格 Connector Specifications	DIN43650A			

产品编号 Product No.	SB1034	外形图 Outside View	包覆材料类型 Type Of Coating Material	热固类 Thermosetting coils		
产品型号 Product Type	AB310-B		常规电压 Normal Voltage	DC24V		
			常规功率 Normal Power	AC	—	
			DC	8W		
			线圈连接方式 Connection Type	插片式 Pin type		
		连接件规格 Connector Specifications	—			

产品编号 Product No.	SB803	外形图 Outside View	包覆材料类型 Type Of Coating Material	热固类 Thermosetting coils		
产品型号 Product Type	AB310X		常规电压 Normal Voltage	DC24V、AC220V		
			常规功率 Normal Power	AC	—	
			DC	11.7W		
			线圈连接方式 Connection Type	引线式 With Flying leads		
		连接件规格 Connector Specifications	WDZ-RV/0.75mm <sup>2</sup> , 320mm			

产品编号 Product No.	SB1060	外形图 Outside View	包覆材料类型 Type Of Coating Material	热塑类 Thermoplastic coils		
产品型号 Product Type	HF16522		常规电压 Normal Voltage	DC12V、DC24V		
			常规功率 Normal Power	DC	23W、27.7W	
			线圈连接方式 Connection Type	接插式 Meet & Insert Type		
			连接件规格 Connector Specifications	DJ7021A-3.5-21		

产品编号 Product No.	SB1169	外形图 Outside View	包覆材料类型 Type Of Coating Material	热塑类 Thermoplastic coils
产品型号 Product Type	HF16632		常规电压 Normal Voltage	DC12V、DC24V
常规功率 Normal Power	DC		—	
			27.7W、28.8W	
线圈连接方式 Connection Type	接插式 Meet & Insert Type			
连接件规格 Connector Specifications	DEUTSCH DT04-2P			

产品编号 Product No.	SB1086	外形图 Outside View	包覆材料类型 Type Of Coating Material	热塑类 Thermoplastic coils
产品型号 Product Type	XY14262		常规电压 Normal Voltage	—
常规功率 Normal Power	AC		—	
	DC		—	
线圈连接方式 Connection Type	插针式 Needle Type			
连接件规格 Connector Specifications	0.63X0.63			

产品编号 Product No.	SB1084	外形图 Outside View	包覆材料类型 Type Of Coating Material	热塑类 Thermoplastic coils
产品型号 Product Type	XY16332		常规电压 Normal Voltage	DC12V
常规功率 Normal Power	AC		—	
	DC		22W	
线圈连接方式 Connection Type	引线式 With Flying leads			
连接件规格 Connector Specifications	22AWG/0.34mm <sup>2</sup> , 250mm			

产品编号 Product No.	SB090	外形图 Outside View	包覆材料类型 Type Of Coating Material	热塑类 Thermoplastic coils
产品型号 Product Type	BU-08		常规电压 Normal Voltage	DC12V、DC24V、AC110V、AC220V
常规功率 Normal Power	AC		13VA	
	DC		8W、10W	
线圈连接方式 Connection Type	插片式 Pin type			
连接件规格 Connector Specifications	DIN43650A			

产品编号 Product No.	SB911	外形图 Outside View	包覆材料类型 Type Of Coating Material	热塑类 Thermoplastic coils	
产品型号 Product Type	XY14322		常规电压 Normal Voltage	DC12V	
			常规功率 Normal Power	AC	—
				DC	13W
			线圈连接方式 Connection Type	接插式 Meet & Insert Type	
			连接件规格 Connector Specifications	—	

产品编号 Product No.	SB1055	外形图 Outside View	包覆材料类型 Type Of Coating Material	热塑类 Thermoplastic coils	
产品型号 Product Type	XY14382B		常规电压 Normal Voltage	DC12V	
			常规功率 Normal Power	AC	—
				DC	15W
			线圈连接方式 Connection Type	接插式 Meet & Insert Type	
			连接件规格 Connector Specifications	AMP 282080-1 AMP 2435050-1	

产品编号 Product No.	SB1121	外形图 Outside View	包覆材料类型 Type Of Coating Material	热塑类 Thermoplastic coils	
产品型号 Product Type	XY14322B		常规电压 Normal Voltage	DC24V	
			常规功率 Normal Power	AC	—
				DC	13W
			线圈连接方式 Connection Type	接插式 Meet & Insert Type	
			连接件规格 Connector Specifications	AMP 282080-1 AMP 2435050-1	

产品编号 Product No.	SB1085	外形图 Outside View	包覆材料类型 Type Of Coating Material	热塑类 Thermoplastic coils	
产品型号 Product Type	XY14382C		常规电压 Normal Voltage	DC12V	
			常规功率 Normal Power	AC	—
				DC	13W
			线圈连接方式 Connection Type	接插式 Meet & Insert Type	
			连接件规格 Connector Specifications	—	

产品编号 Product No.	SB938	外形图 Outside View	包覆材料类型 Type Of Coating Material	热塑类 Thermoplastic coils	
产品型号 Product Type	XY14382		常规电压 Normal Voltage	DC12V、DC24V	
			常规功率 Normal Power	AC	—
				DC	13W、18W
			线圈连接方式 Connection Type	接插式 Meet & Insert Type	
			连接件规格 Connector Specifications	—	

产品编号 Product No.	SB1157	外形图 Outside View	包覆材料类型 Type Of Coating Material	热塑类 Thermoplastic coils	
产品型号 Product Type	XY14382D		常规电压 Normal Voltage	DC12V、DC24V	
			常规功率 Normal Power	AC	—
				DC	13W
			线圈连接方式 Connection Type	接插式 Meet & Insert Type	
			连接件规格 Connector Specifications	AMP 282080-1 AMP 2435050-1	

产品编号 Product No.	SB811	外形图 Outside View	包覆材料类型 Type Of Coating Material	热塑类 Thermoplastic coils
产品型号 Product Type	XY14382E		常规电压 Normal Voltage	DC12V、DC24V
			常规功率 Normal Power	AC — DC 13W、15W
			线圈连接方式 Connection Type	接插式 Meet & Insert Type
			连接件规格 Connector Specifications	AMP 282080-1 AMP 2435050-1

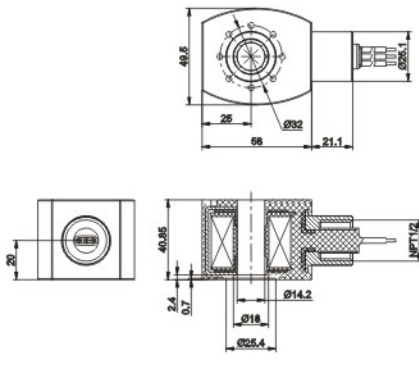
产品编号 Product No.	SB1209	外形图 Outside View	包覆材料类型 Type Of Coating Material	热塑类 Thermoplastic coils
产品型号 Product Type	XY14402A		常规电压 Normal Voltage	DC24V
			常规功率 Normal Power	AC — DC 18W
			线圈连接方式 Connection Type	接插式 Meet & Insert Type
			连接件规格 Connector Specifications	AMP 282080-1 AMP 2435050-1

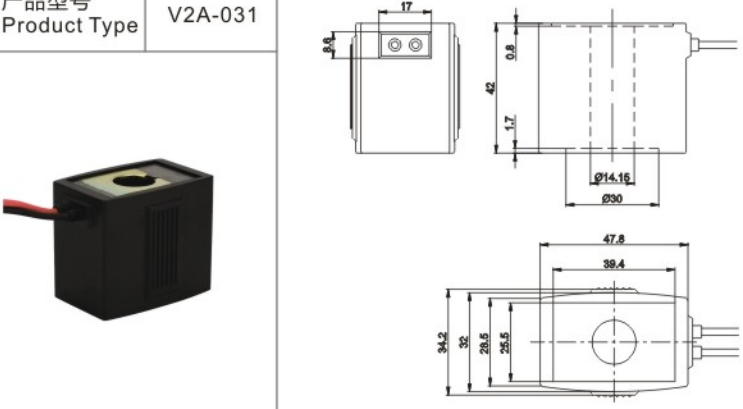
产品编号 Product No.	SB812	外形图 Outside View	包覆材料类型 Type Of Coating Material	热塑类 Thermoplastic coils
产品型号 Product Type	XY14382F		常规电压 Normal Voltage	DC24V
			常规功率 Normal Power	AC — DC 13W
			线圈连接方式 Connection Type	接插式 Meet & Insert Type
			连接件规格 Connector Specifications	AMP 282080-1 AMP 2435050-1

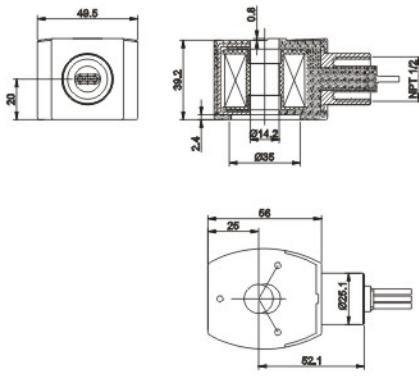
产品编号 Product No.	SB1136	外形图 Outside View	包覆材料类型 Type Of Coating Material	热固类 Thermosetting coils
产品型号 Product Type	XY14402B		常规电压 Normal Voltage	DC24V
			常规功率 Normal Power	AC — DC 1.8W
			线圈连接方式 Connection Type	插片式 Pin type
			连接件规格 Connector Specifications	6.3-2P

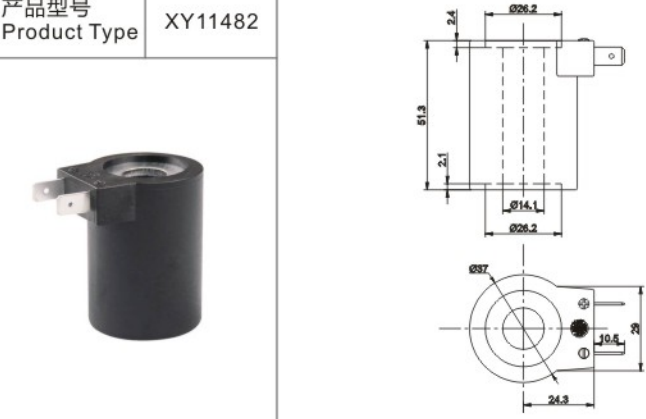
产品编号 Product No.	SB799	外形图 Outside View	包覆材料类型 Type Of Coating Material	热塑类 Thermoplastic coils
产品型号 Product Type	ZB14		常规电压 Normal Voltage	DC12V、DC24V、AC220V
			常规功率 Normal Power	AC 8.4W、14W DC 14W
			线圈连接方式 Connection Type	插片式 Pin type
			连接件规格 Connector Specifications	DIN43650A

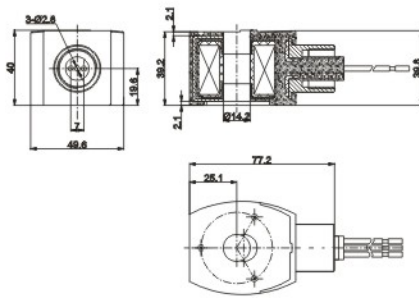
产品编号 Product No.	SB1237	外形图 Outside View	包覆材料类型 Type Of Coating Material	热固类 Thermosetting coils
产品型号 Product Type	XY14402C		常规电压 Normal Voltage	DC24V
			常规功率 Normal Power	AC — DC 1.5W
			线圈连接方式 Connection Type	针式 Needle Type
			连接件规格 Connector Specifications	0.8X0.8

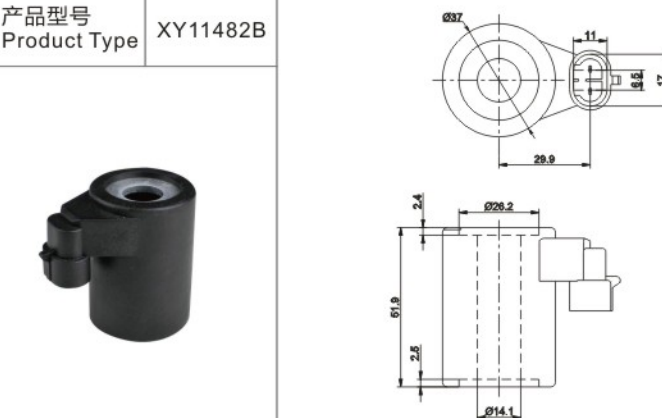
产品编号 Product No.	SB1075	外形图 Outside View	包覆材料类型 Type Of Coating Material	热固类 Thermosetting coils	
产品型号 Product Type	IM14403X		常规电压 Normal Voltage	DC24V	
常规功率 Normal Power	AC		—		
	DC		3.7W		
线圈连接方式 Connection Type	引线式 With Flying leads				
连接件规格 Connector Specifications	18AWG/0.75mm <sup>2</sup> , 515mm				

产品编号 Product No.	SB734	外形图 Outside View	包覆材料类型 Type Of Coating Material	热固类 Thermosetting coils	
产品型号 Product Type	V2A-031		常规电压 Normal Voltage	DC24V	
常规功率 Normal Power	AC		—		
	DC		20W		
线圈连接方式 Connection Type	引线式 With Flying leads				
连接件规格 Connector Specifications	0.85mm <sup>2</sup> , 320mm				

产品编号 Product No.	SB1031	外形图 Outside View	包覆材料类型 Type Of Coating Material	热固类 Thermosetting coils	
产品型号 Product Type	XY14403X		常规电压 Normal Voltage	DC24V、AC220V、RAC220V	
常规功率 Normal Power	AC		10W		
	DC		6W、11W、15W		
线圈连接方式 Connection Type	引线式 With Flying leads				
连接件规格 Connector Specifications	18AWG/0.75mm <sup>2</sup> , 440mm				

产品编号 Product No.	SB847	外形图 Outside View	包覆材料类型 Type Of Coating Material	热塑类 Thermoplastic coils	
产品型号 Product Type	XY11482		常规电压 Normal Voltage	DC12V	
常规功率 Normal Power	AC		—		
	DC		22W		
线圈连接方式 Connection Type	插片式 Pin type				
连接件规格 Connector Specifications	6.3-2P				

产品编号 Product No.	SB1141	外形图 Outside View	包覆材料类型 Type Of Coating Material	热固类 Thermosetting coils	
产品型号 Product Type	XY14403X-B		常规电压 Normal Voltage	DC24V、AC220V	
常规功率 Normal Power	AC		—		
	DC		11W		
线圈连接方式 Connection Type	引线式 With Flying leads				
连接件规格 Connector Specifications	18AWG/0.75mm <sup>2</sup> , 450mm				

产品编号 Product No.	SB910	外形图 Outside View	包覆材料类型 Type Of Coating Material	热塑类 Thermoplastic coils	
产品型号 Product Type	XY11482B		常规电压 Normal Voltage	DC12V	
常规功率 Normal Power	AC		—		
	DC		22W		
线圈连接方式 Connection Type	接插式 Meet & Insert Type				
连接件规格 Connector Specifications	—				

产品编号 Product No.	SB255	外形图 Outside View	包覆材料类型 Type Of Coating Material	热固类 Thermosetting coils
产品型号 Product Type	A051		常规电压 Normal Voltage	DC12V, DC24V, AC110V, AC220V
常规功率 Normal Power	AC	22VA	线圈连接方式 Connection Type	插片式 Pin type
	DC			
连接件规格 Connector Specifications	DIN43650A			

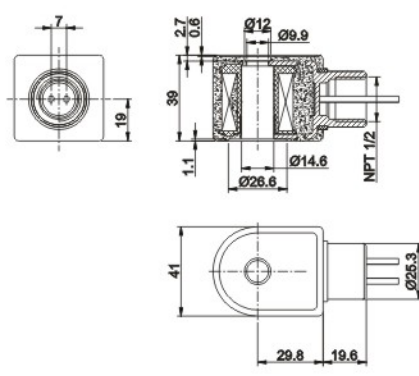

产品编号 Product No.	SB243	外形图 Outside View	包覆材料类型 Type Of Coating Material	热塑类 Thermoplastic coils
产品型号 Product Type	XM148		常规电压 Normal Voltage	DC24V, AC220V
常规功率 Normal Power	AC	11W, 14W	线圈连接方式 Connection Type	插片式 Pin type
	DC			
连接件规格 Connector Specifications	DIN43650A			

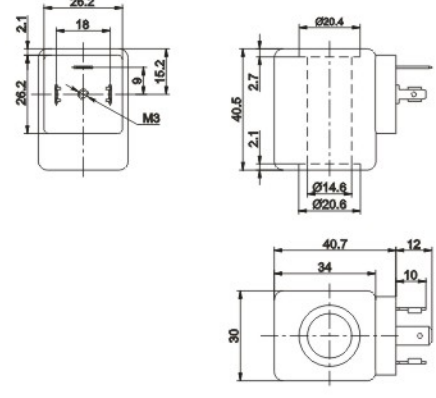

产品编号 Product No.	SB893	外形图 Outside View	包覆材料类型 Type Of Coating Material	热固类 Thermosetting coils
产品型号 Product Type	A051EX		常规电压 Normal Voltage	DC24V
常规功率 Normal Power	AC	—	线圈连接方式 Connection Type	引线式 With Flying leads
	DC			
连接件规格 Connector Specifications	3X0.75mm <sup>2</sup> , 2m			

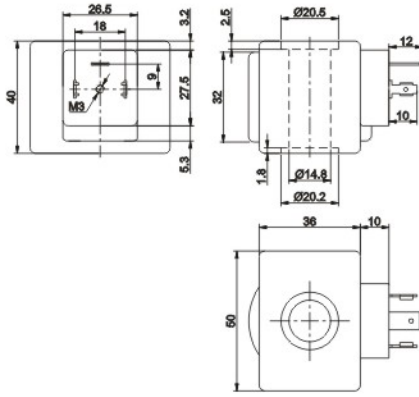

产品编号 Product No.	SB475	外形图 Outside View	包覆材料类型 Type Of Coating Material	热塑类 Thermoplastic coils
产品型号 Product Type	XY148		常规电压 Normal Voltage	DC12V, DC24V, AC220V
常规功率 Normal Power	AC	18VA	线圈连接方式 Connection Type	插片式 Pin type
	DC			
连接件规格 Connector Specifications	DIN43650A			

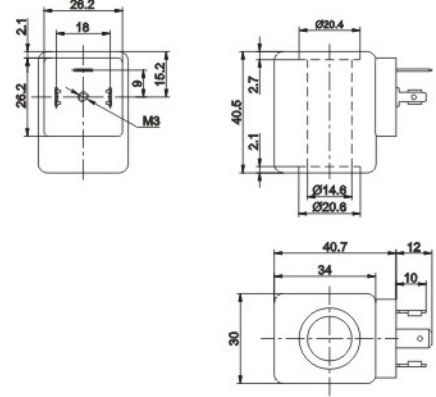

产品编号 Product No.	SB429	外形图 Outside View	包覆材料类型 Type Of Coating Material	热塑类 Thermoplastic coils
产品型号 Product Type	XY14503		常规电压 Normal Voltage	DC12V, DC24V, AC110V, AC220V
常规功率 Normal Power	AC	—	线圈连接方式 Connection Type	插片式 Pin type
	DC			
连接件规格 Connector Specifications	DIN43650A			

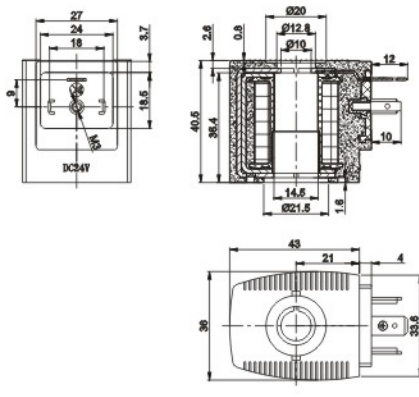

产品编号 Product No.	SB999	外形图 Outside View	包覆材料类型 Type Of Coating Material	热塑类 Thermoplastic coils
产品型号 Product Type	XY148-W		常规电压 Normal Voltage	DC12V
常规功率 Normal Power	AC	—	线圈连接方式 Connection Type	螺纹式 With Screw
	DC			
连接件规格 Connector Specifications	M3			

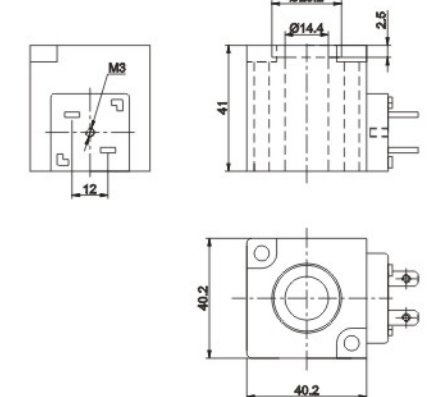

产品编号 Product No.	SB995	外形图 Outside View	包覆材料类型 Type Of Coating Material	热固类 Thermosetting coils
产品型号 Product Type	XY14392		常规电压 Normal Voltage	DC24V
			常规功率 Normal Power	AC — DC 10W, 20W
			线圈连接方式 Connection Type	引线式 With Flying leads
			连接件规格 Connector Specifications	18AWG/0.75mm <sup>2</sup> , 460mm

产品编号 Product No.	SB433	外形图 Outside View	包覆材料类型 Type Of Coating Material	热固类 Thermosetting coils
产品型号 Product Type	TM30		常规电压 Normal Voltage	DC12V, DC24V, AC110V
			常规功率 Normal Power	AC 18VA, 22VA DC 13W
			线圈连接方式 Connection Type	插片式 Pin type
			连接件规格 Connector Specifications	DIN43650A

产品编号 Product No.	SB469	外形图 Outside View	包覆材料类型 Type Of Coating Material	热塑类 Thermoplastic coils
产品型号 Product Type	TM35		常规电压 Normal Voltage	DC12V, DC24V, AC115V, AC230V
			常规功率 Normal Power	AC 10W, 16W DC 10.8W, 14W, 18W
			线圈连接方式 Connection Type	插片式 Pin type
			连接件规格 Connector Specifications	DIN43650A

产品编号 Product No.	SB468	外形图 Outside View	包覆材料类型 Type Of Coating Material	热塑类 Thermoplastic coils
产品型号 Product Type	TM30		常规电压 Normal Voltage	DC12V, DC24V, AC115V, AC230V
			常规功率 Normal Power	AC 18VA DC 9W, 10W, 13W
			线圈连接方式 Connection Type	插片式 Pin type
			连接件规格 Connector Specifications	DIN43650A

产品编号 Product No.	SB086	外形图 Outside View	包覆材料类型 Type Of Coating Material	热固类 Thermosetting coils
产品型号 Product Type	BD-A-03		常规电压 Normal Voltage	DC12V, DC24V, AC220
			常规功率 Normal Power	AC 11VA DC 16W
			线圈连接方式 Connection Type	插片式 Pin type
			连接件规格 Connector Specifications	DIN43650A

产品编号 Product No.	SB083	外形图 Outside View	包覆材料类型 Type Of Coating Material	热塑类 Thermoplastic coils
产品型号 Product Type	K23D-2		常规电压 Normal Voltage	DC12V, DC24V, AC110V, AC220V
			常规功率 Normal Power	AC 20VA DC 12W, 13W
			线圈连接方式 Connection Type	压板式 Plate mount
			连接件规格 Connector Specifications	—

产品编号 Product No.	SB256	外形图 Outside View	包覆材料类型 Type Of Coating Material	热固类 Thermosetting coils
产品型号 Product Type	0543		常规电压 Normal Voltage	DC12V、DC24V、AC110V、AC220V
常规功率 Normal Power	AC	15VA、22VA	线圈连接方式 Connection Type	插片式 Pin type
	DC			
连接件规格 Connector Specifications	DIN43650A			

产品编号 Product No.	SB257	外形图 Outside View	包覆材料类型 Type Of Coating Material	热固类 Thermosetting coils
产品型号 Product Type	0545		常规电压 Normal Voltage	DC24V、AC220V
常规功率 Normal Power	AC	28VA	线圈连接方式 Connection Type	插片式 Pin type
	DC			
连接件规格 Connector Specifications	DIN43650A			

产品编号 Product No.	SB1216	外形图 Outside View	包覆材料类型 Type Of Coating Material	热固类 Thermosetting coils
产品型号 Product Type	0543-2X		常规电压 Normal Voltage	DC24V、DC110V
常规功率 Normal Power	AC	—	线圈连接方式 Connection Type	引线式 With Flying leads
	DC			
连接件规格 Connector Specifications	20AWG/0.5mm <sup>2</sup> , 1500mm			

产品编号 Product No.	SB568	外形图 Outside View	包覆材料类型 Type Of Coating Material	热固类 Thermosetting coils
产品型号 Product Type	0545EX		常规电压 Normal Voltage	DC12V、DC24V、AC110V、AC220V
常规功率 Normal Power	AC	24VA	线圈连接方式 Connection Type	插片式 Pin type
	DC			
连接件规格 Connector Specifications	DIN43650A			

产品编号 Product No.	SB1156	外形图 Outside View	包覆材料类型 Type Of Coating Material	热固类 Thermosetting coils
产品型号 Product Type	GTF2-08		常规电压 Normal Voltage	DC110V
常规功率 Normal Power	AC	—	线圈连接方式 Connection Type	插片式 Pin type
	DC			
连接件规格 Connector Specifications	DIN43650A			

产品编号 Product No.	SB737	外形图 Outside View	包覆材料类型 Type Of Coating Material	热塑类 Thermoplastic coils
产品型号 Product Type	0121		常规电压 Normal Voltage	AC230V
常规功率 Normal Power	AC	34VA	线圈连接方式 Connection Type	插片式 Pin type
	DC			
连接件规格 Connector Specifications	DIN43650A			

产品编号 Product No.	SB1208	外形图 Outside View	包覆材料类型 Type Of Coating Material	热塑类 Thermoplastic coils
产品型号 Product Type	XY15512		常规电压 Normal Voltage	AC220V
常规功率 Normal Power	AC		10W	
	DC		—	
线圈连接方式 Connection Type	针式 Needle Type			
连接件规格 Connector Specifications	0.6X0.6			

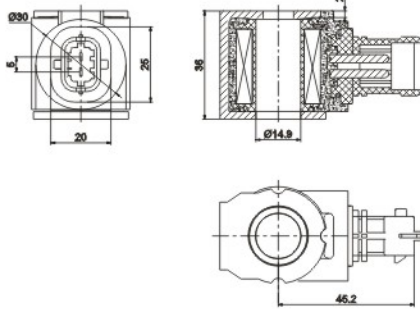
产品编号 Product No.	SB789	外形图 Outside View	包覆材料类型 Type Of Coating Material	热固类 Thermosetting coils
产品型号 Product Type	XY15302		常规电压 Normal Voltage	DC12V、DC24V
常规功率 Normal Power	AC		—	
	DC		12W、18W	
线圈连接方式 Connection Type	接插式 Meet & Insert Type			
连接件规格 Connector Specifications	ISO 15170-B1-2.1-Sn/K1-(BK)			

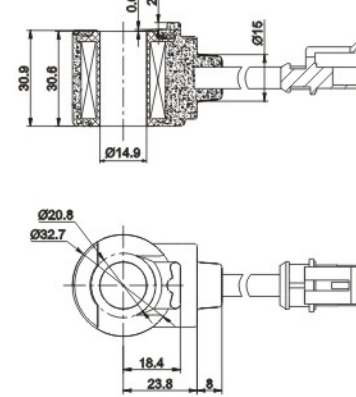
产品编号 Product No.	SB1248	外形图 Outside View	包覆材料类型 Type Of Coating Material	热塑类 Thermoplastic coils
产品型号 Product Type	XY14502		常规电压 Normal Voltage	DC24V
常规功率 Normal Power	AC		—	
	DC		3.6W	
线圈连接方式 Connection Type	针式 Needle Type			
连接件规格 Connector Specifications	0.6X0.6			

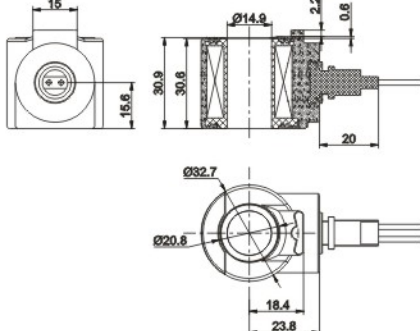
产品编号 Product No.	SB1152	外形图 Outside View	包覆材料类型 Type Of Coating Material	热固类 Thermosetting coils
产品型号 Product Type	XY15302F		常规电压 Normal Voltage	DC24V
常规功率 Normal Power	AC		—	
	DC		18W	
线圈连接方式 Connection Type	接插式 Meet & Insert Type			
连接件规格 Connector Specifications	ISO 15170-B1-2.4-Sn/K1-(BK)			

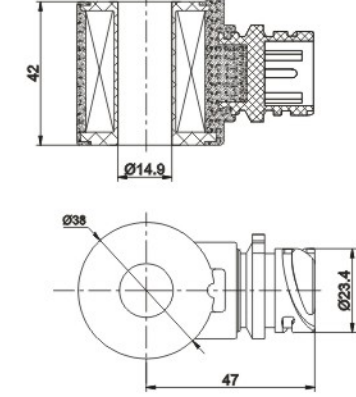
产品编号 Product No.	SB1243	外形图 Outside View	包覆材料类型 Type Of Coating Material	热塑类 Thermoplastic coils
产品型号 Product Type	XY15322X		常规电压 Normal Voltage	DC24V、AC220V
常规功率 Normal Power	AC		—	
	DC		21.8W	
线圈连接方式 Connection Type	引线式 With Flying leads			
连接件规格 Connector Specifications	22AWG/0.34mm <sup>2</sup> , 300mm			

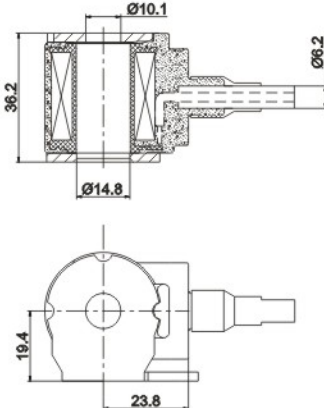
产品编号 Product No.	SB1251	外形图 Outside View	包覆材料类型 Type Of Coating Material	热塑类 Thermoplastic coils
产品型号 Product Type	XY15302-RS		常规电压 Normal Voltage	DC24V
常规功率 Normal Power	AC		—	
	DC		13W	
线圈连接方式 Connection Type	接插式 Meet & Insert Type			
连接件规格 Connector Specifications	ISO 15170-B1-2.1-Sn/K1-(GY)			

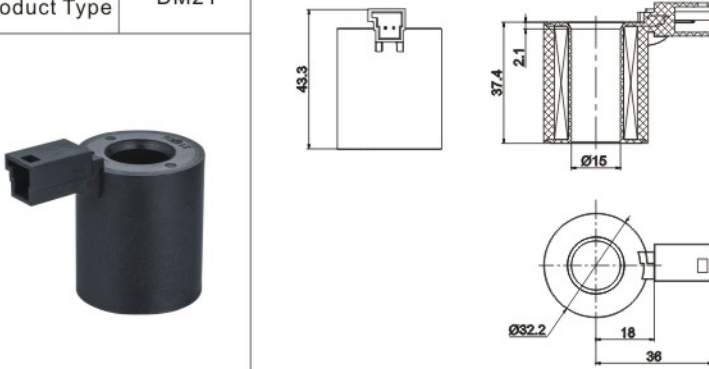
产品编号 Product No.	SB1012	外形图 Outside View	包覆材料类型 Type Of Coating Material	热固类 Thermosetting coils
产品型号 Product Type	XY15302-C		常规电压 Normal Voltage	DC12V、DC24V
常规功率 Normal Power	AC		—	
	DC		12W	
线圈连接方式 Connection Type	接插式 Meet & Insert Type			
连接件规格 Connector Specifications	TE 1599099-1			

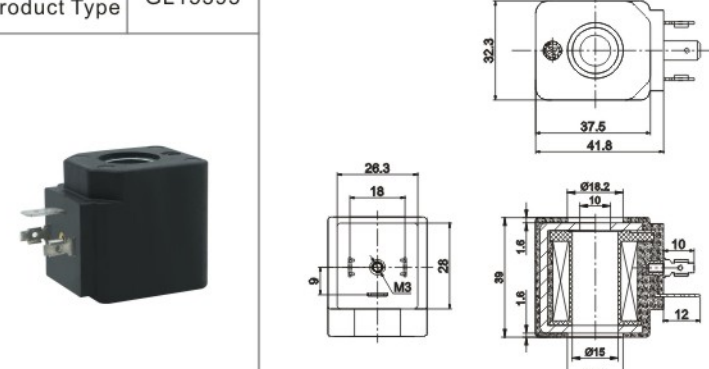
产品编号 Product No.	SB1185	外形图 Outside View	包覆材料类型 Type Of Coating Material	热固类 Thermosetting coils
产品型号 Product Type	XY15302X-TX		常规电压 Normal Voltage	DC24V
常规功率 Normal Power	AC		—	
	DC		13W	
线圈连接方式 Connection Type	引线式 With Flying leads			
连接件规格 Connector Specifications	2X0.75mm <sup>2</sup> , 350mm			

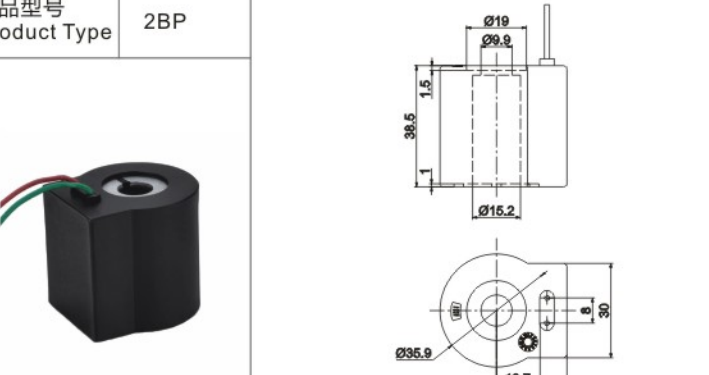
产品编号 Product No.	SB1083	外形图 Outside View	包覆材料类型 Type Of Coating Material	热塑类 Thermoplastic coils
产品型号 Product Type	XY15302X		常规电压 Normal Voltage	DC12V、DC24V
常规功率 Normal Power	AC		—	
	DC		12W	
线圈连接方式 Connection Type	引线式 With Flying leads			
连接件规格 Connector Specifications	20AWG/0.5mm <sup>2</sup> , 115mm			

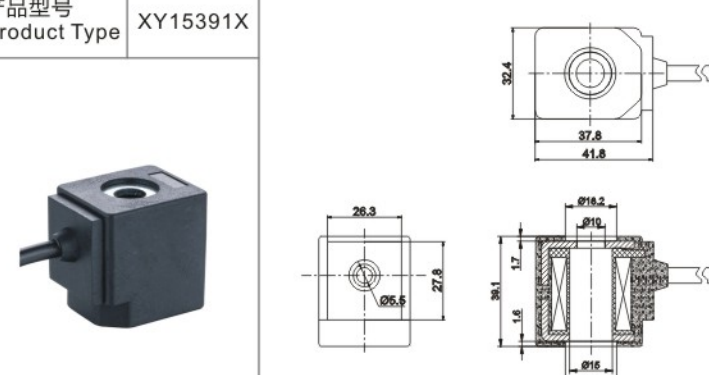
产品编号 Product No.	SB899	外形图 Outside View	包覆材料类型 Type Of Coating Material	热固类 Thermosetting coils
产品型号 Product Type	TX15422		常规电压 Normal Voltage	DC24V
常规功率 Normal Power	AC		—	
	DC		13.7W	
线圈连接方式 Connection Type	接插式 Meet & Insert Type			
连接件规格 Connector Specifications	ISO 15170-B1-2.1-Sn/K1-(BK)			

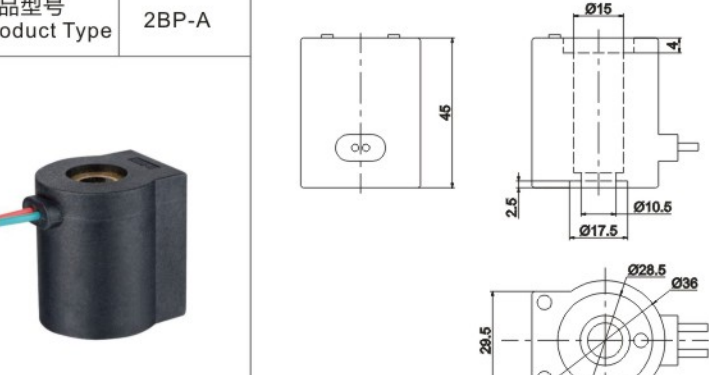
产品编号 Product No.	SB1179	外形图 Outside View	包覆材料类型 Type Of Coating Material	热固类 Thermosetting coils
产品型号 Product Type	XY15302-1X		常规电压 Normal Voltage	DC24V
常规功率 Normal Power	AC		—	
	DC		12W	
线圈连接方式 Connection Type	引线式 With Flying leads			
连接件规格 Connector Specifications	2X0.75mm <sup>2</sup> , 140mm			

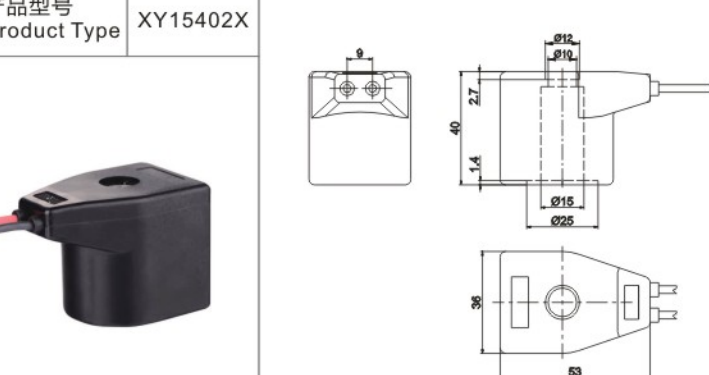
产品编号 Product No.	SB1082	外形图 Outside View	包覆材料类型 Type Of Coating Material	热塑类 Thermoplastic coils		
产品型号 Product Type	DM21		常规电压 Normal Voltage	DC12V		
			常规功率 Normal Power	AC	—	
				DC	35W	
			线圈连接方式 Connection Type	接插式 Meet & Insert Type		
		连接件规格 Connector Specifications	—			

产品编号 Product No.	SB407	外形图 Outside View	包覆材料类型 Type Of Coating Material	热塑类 Thermoplastic coils		
产品型号 Product Type	GL15393		常规电压 Normal Voltage	DC12V、DC24V、AC24V、AC110V、AC220V		
			常规功率 Normal Power	AC	10W、11W、19VA	
				DC	10W、14W、17W	
			线圈连接方式 Connection Type	插片式 Pin type		
		连接件规格 Connector Specifications	DIN43650A			

产品编号 Product No.	SB253	外形图 Outside View	包覆材料类型 Type Of Coating Material	热塑类 Thermoplastic coils		
产品型号 Product Type	2BP		常规电压 Normal Voltage	DC12V、DC24V、AC24V、AC220V		
			常规功率 Normal Power	AC	5VA	
				DC	4W	
			线圈连接方式 Connection Type	引线式 With Flying leads		
		连接件规格 Connector Specifications	22AWG/0.32mm <sup>2</sup> , 310mm			

产品编号 Product No.	SB1062	外形图 Outside View	包覆材料类型 Type Of Coating Material	热塑类 Thermoplastic coils		
产品型号 Product Type	XY15391X		常规电压 Normal Voltage	AC110V、AC220V、AC230V		
			常规功率 Normal Power	AC	—	
				DC	8W、10W	
			线圈连接方式 Connection Type	引线式 With Flying leads		
		连接件规格 Connector Specifications	2X0.5mm <sup>2</sup> , 300mm			

产品编号 Product No.	SB095	外形图 Outside View	包覆材料类型 Type Of Coating Material	热塑类 Thermoplastic coils		
产品型号 Product Type	2BP-A		常规电压 Normal Voltage	DC12V、DC24V		
			常规功率 Normal Power	AC	—	
				DC	13W、16.5W	
			线圈连接方式 Connection Type	引线式 With Flying leads		
		连接件规格 Connector Specifications	22AWG/0.32mm <sup>2</sup> , 110mm			

产品编号 Product No.	SB546	外形图 Outside View	包覆材料类型 Type Of Coating Material	热塑类 Thermoplastic coils		
产品型号 Product Type	XY15402X		常规电压 Normal Voltage	DC24V		
			常规功率 Normal Power	AC	—	
				DC	13.5W	
			线圈连接方式 Connection Type	引线式 With Flying leads		
		连接件规格 Connector Specifications	18AWG/0.85mm <sup>2</sup> , 500mm			

产品编号 Product No.	SB084	外形图 Outside View	包覆材料类型 Type Of Coating Material	热固类 Thermosetting coils
产品型号 Product Type	K23D-2H		常规电压 Normal Voltage	DC24V, DC48V, DC110V, AC220V
常规功率 Normal Power	AC	13VA	线圈连接方式 Connection Type	插片式 Pin type
	DC	11.5W		连接件规格 Connector Specifications

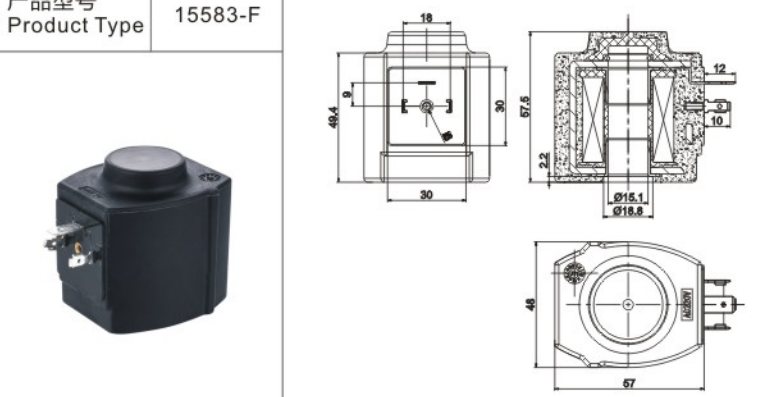
产品编号 Product No.	SB809	外形图 Outside View	包覆材料类型 Type Of Coating Material	热塑类 Thermoplastic coils
产品型号 Product Type	XY15453-C		常规电压 Normal Voltage	AC220V
常规功率 Normal Power	AC	10W	线圈连接方式 Connection Type	插片式 Pin type
	DC	—		连接件规格 Connector Specifications

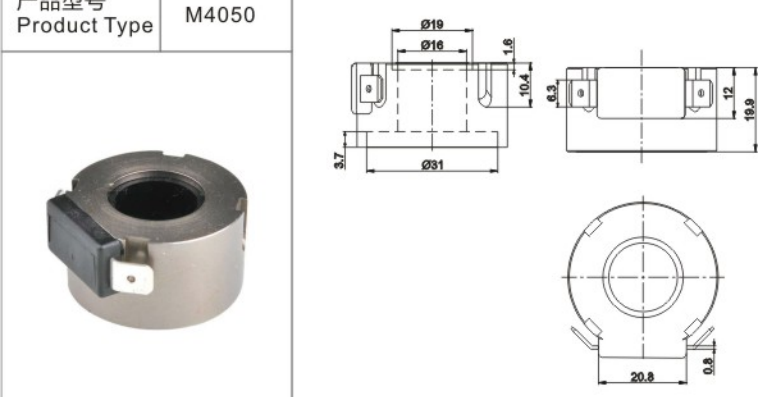
产品编号 Product No.	SB808	外形图 Outside View	包覆材料类型 Type Of Coating Material	热塑类 Thermoplastic coils
产品型号 Product Type	XY15451X		常规电压 Normal Voltage	AC220V
常规功率 Normal Power	AC	10W	线圈连接方式 Connection Type	引线式 With Flying leads
	DC	—		连接件规格 Connector Specifications

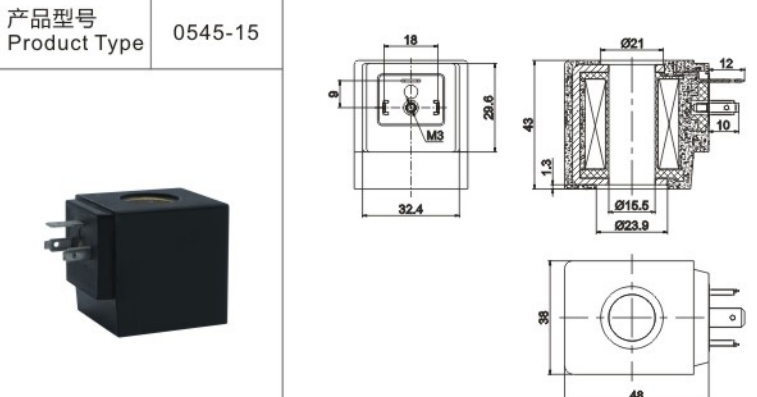
产品编号 Product No.	SB896	外形图 Outside View	包覆材料类型 Type Of Coating Material	热固类 Thermosetting coils
产品型号 Product Type	HS15583-D		常规电压 Normal Voltage	DC12V, DC24V, AC110V, AC220V
常规功率 Normal Power	AC	8.8W, 19W	线圈连接方式 Connection Type	插片式 Pin type
	DC	24W		连接件规格 Connector Specifications

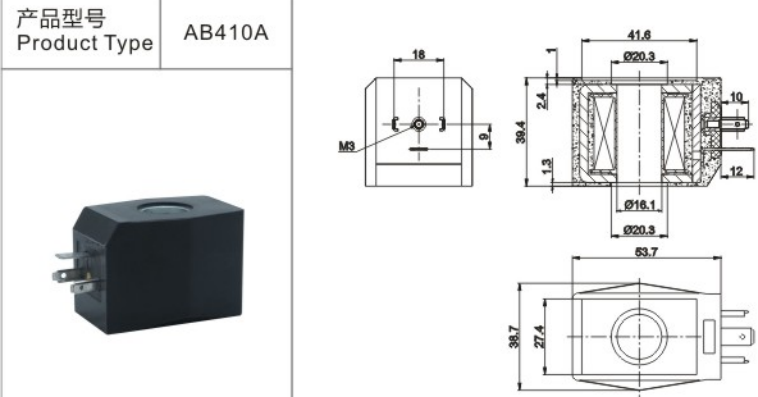
产品编号 Product No.	SB902	外形图 Outside View	包覆材料类型 Type Of Coating Material	热塑类 Thermoplastic coils
产品型号 Product Type	XY15453-B		常规电压 Normal Voltage	DC24V, AC24V, AC110V, AC220V
常规功率 Normal Power	AC	10W	线圈连接方式 Connection Type	插片式 Pin type
	DC	18W		连接件规格 Connector Specifications

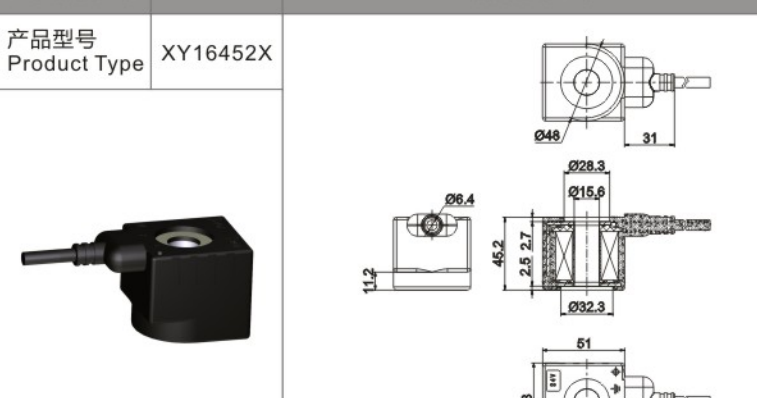
产品编号 Product No.	SB1025	外形图 Outside View	包覆材料类型 Type Of Coating Material	热固类 Thermosetting coils
产品型号 Product Type	HS15583-S		常规电压 Normal Voltage	DC110V, AC220V
常规功率 Normal Power	AC	20W	线圈连接方式 Connection Type	插片式 Pin type
	DC	17W		连接件规格 Connector Specifications

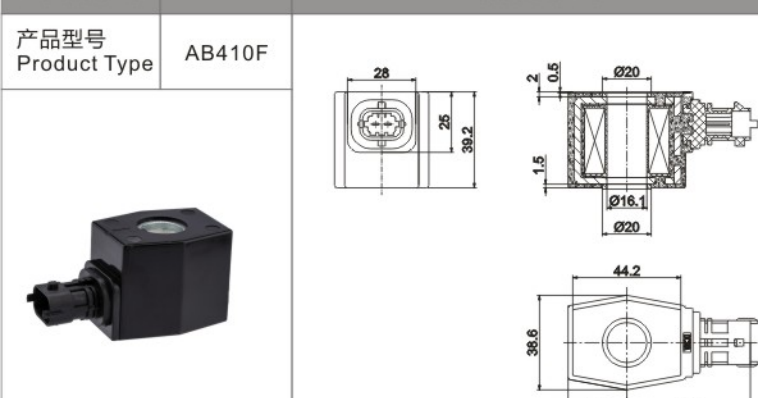
产品编号 Product No.	SB1241	外形图 Outside View	包覆材料类型 Type Of Coating Material	热固类 Thermosetting coils
产品型号 Product Type	15583-F		常规电压 Normal Voltage	DC24V、AC110V、AC220V
常规功率 Normal Power	AC		19W、24W	
	DC		24W	
线圈连接方式 Connection Type	插片式 Pin type			
连接件规格 Connector Specifications	DIN43650A			

产品编号 Product No.	SB929	外形图 Outside View	包覆材料类型 Type Of Coating Material	热塑类 Thermoplastic coils
产品型号 Product Type	M4050		常规电压 Normal Voltage	DC12V
常规功率 Normal Power	AC		—	
	DC		9W	
线圈连接方式 Connection Type	插片式 Pin type			
连接件规格 Connector Specifications	6.3-2P			

产品编号 Product No.	SB710	外形图 Outside View	包覆材料类型 Type Of Coating Material	热固类 Thermosetting coils
产品型号 Product Type	0545-15		常规电压 Normal Voltage	DC12V、DC24V、AC110V、AC220V
常规功率 Normal Power	AC		25VA、28VA	
	DC		12W、18W	
线圈连接方式 Connection Type	插片式 Pin type			
连接件规格 Connector Specifications	DIN43650A			

产品编号 Product No.	SB055	外形图 Outside View	包覆材料类型 Type Of Coating Material	热固类 Thermosetting coils
产品型号 Product Type	AB410A		常规电压 Normal Voltage	DC12V、DC24V、AC110V、AC220V
常规功率 Normal Power	AC		20VA、26VA	
	DC		10W、16W、19W	
线圈连接方式 Connection Type	插片式 Pin type			
连接件规格 Connector Specifications	DIN43650A			

产品编号 Product No.	SB1234	外形图 Outside View	包覆材料类型 Type Of Coating Material	热塑类 Thermoplastic coils
产品型号 Product Type	XY16452X		常规电压 Normal Voltage	DC24V
常规功率 Normal Power	AC		—	
	DC		24W	
线圈连接方式 Connection Type	引线式 With Flying leads			
连接件规格 Connector Specifications	2X0.75mm <sup>2</sup> , 160mm			

产品编号 Product No.	SB1187	外形图 Outside View	包覆材料类型 Type Of Coating Material	热固类 Thermosetting coils
产品型号 Product Type	AB410F		常规电压 Normal Voltage	DC24V
常规功率 Normal Power	AC		—	
	DC		19.2W	
线圈连接方式 Connection Type	接插式 Meet & Insert Type			
连接件规格 Connector Specifications	TE 1599099-1			

产品编号 Product No.	SB056	外形图 Outside View	包覆材料类型 Type Of Coating Material	热塑类 Thermoplastic coils	
产品型号 Product Type	AB410B		常规电压 Normal Voltage	DC12V、DC24V、AC220V	
常规功率 Normal Power	AC		26VA、31VA		
	DC		10W、19W		
线圈连接方式 Connection Type	引线式 With Flying leads				
连接件规格 Connector Specifications	20AWG/0.5mm <sup>2</sup> , 270mm				

产品编号 Product No.	SB921	外形图 Outside View	包覆材料类型 Type Of Coating Material	热塑类 Thermoplastic coils	
产品型号 Product Type	AB-W		常规电压 Normal Voltage	DC24V、AC110V、AC220V	
常规功率 Normal Power	AC		26VA		
	DC		10W		
线圈连接方式 Connection Type	插片式 Pin type				
连接件规格 Connector Specifications	DIN43650A				

产品编号 Product No.	SB980	外形图 Outside View	包覆材料类型 Type Of Coating Material	热固类 Thermosetting coils	
产品型号 Product Type	AB410B-RG		常规电压 Normal Voltage	AC220V	
常规功率 Normal Power	AC		26VA		
	DC		—		
线圈连接方式 Connection Type	引线式 With Flying leads				
连接件规格 Connector Specifications	20AWG/0.5mm <sup>2</sup> , 300mm				

产品编号 Product No.	SB495	外形图 Outside View	包覆材料类型 Type Of Coating Material	热固类 Thermosetting coils	
产品型号 Product Type	HN16393		常规电压 Normal Voltage	DC24V、AC220V	
常规功率 Normal Power	AC		26VA		
	DC		19W		
线圈连接方式 Connection Type	插片式 Pin type				
连接件规格 Connector Specifications	DIN43650A				

产品编号 Product No.	SB260	外形图 Outside View	包覆材料类型 Type Of Coating Material	热固类 Thermosetting coils	
产品型号 Product Type	AB510		常规电压 Normal Voltage	DC24V、AC220V	
常规功率 Normal Power	AC		21VA、28VA		
	DC		31W		
线圈连接方式 Connection Type	插片式 Pin type				
连接件规格 Connector Specifications	DIN43650A				

产品编号 Product No.	SB866	外形图 Outside View	包覆材料类型 Type Of Coating Material	热塑类 Thermoplastic coils	
产品型号 Product Type	XY16402		常规电压 Normal Voltage	DC12V	
常规功率 Normal Power	AC		—		
	DC		18W		
线圈连接方式 Connection Type	接插式 Meet & Insert Type				
连接件规格 Connector Specifications	AMP 282080-1 AMP 2435050-1				



产品编号 Product No.	SB1170	外形图 Outside View	包覆材料类型 Type Of Coating Material	热塑类 Thermoplastic coils
产品型号 Product Type	16432B		常规电压 Normal Voltage	DC24V、DC48V、AC120V、AC220V
线圈连接方式 Connection Type	常规功率 Normal Power		AC	4W
	DC		3.7W、11.6W	
连接件规格 Connector Specifications				螺纹式 With Screw
				M3.4

产品编号 Product No.	SB1198	外形图 Outside View	包覆材料类型 Type Of Coating Material	热固类 Thermosetting coils
产品型号 Product Type	16433-B		常规电压 Normal Voltage	AC110V、AC220V
线圈连接方式 Connection Type	常规功率 Normal Power		AC	—
	DC		—	
连接件规格 Connector Specifications				插片式 Pin type
				DIN43650A

产品编号 Product No.	SB1228	外形图 Outside View	包覆材料类型 Type Of Coating Material	热固类 Thermosetting coils
产品型号 Product Type	XY16432X		常规电压 Normal Voltage	DC24V
线圈连接方式 Connection Type	常规功率 Normal Power		AC	—
	DC		1.8W、3.7W	
连接件规格 Connector Specifications				引线式 With Flying leads
				18AWG/0.85mm <sup>2</sup> , 130mm

产品编号 Product No.	SB1200	外形图 Outside View	包覆材料类型 Type Of Coating Material	热塑类 Thermoplastic coils
产品型号 Product Type	X15936		常规电压 Normal Voltage	AC24V
线圈连接方式 Connection Type	常规功率 Normal Power		AC	15W
	DC		—	
连接件规格 Connector Specifications				插片式 Pin type
				DIN43650A

产品编号 Product No.	SB474	外形图 Outside View	包覆材料类型 Type Of Coating Material	热固类 Thermosetting coils
产品型号 Product Type	16433		常规电压 Normal Voltage	DC12V、DC24V、AC110V、AC220V
线圈连接方式 Connection Type	常规功率 Normal Power		AC	28VA
	DC		23W	
连接件规格 Connector Specifications				插片式 Pin type
				DIN43650A

产品编号 Product No.	SB1124	外形图 Outside View	包覆材料类型 Type Of Coating Material	热塑类 Thermoplastic coils
产品型号 Product Type	X15882		常规电压 Normal Voltage	DC24V、AC24V、AC120V、AC230V
线圈连接方式 Connection Type	常规功率 Normal Power		AC	15W
	DC		18W	
连接件规格 Connector Specifications				插片式 Pin type
				DIN43650A

产品编号 Product No.	SB041	外形图 Outside View	包覆材料类型 Type Of Coating Material	热塑类 Thermoplastic coils	
产品型号 Product Type	STR-2 (插脚式)		常规电压 Normal Voltage	DC12V	
常规功率 Normal Power	AC		—		
	DC		12W		
线圈连接方式 Connection Type	插片式 Pin type				
连接件规格 Connector Specifications	6.3×0.8				

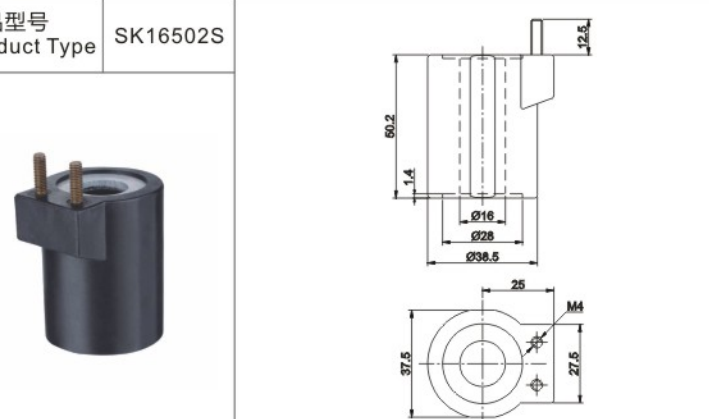
产品编号 Product No.	SB767	外形图 Outside View	包覆材料类型 Type Of Coating Material	热固类 Thermosetting coils	
产品型号 Product Type	XY3506		常规电压 Normal Voltage	DC24V	
常规功率 Normal Power	AC		—		
	DC		12W、23W		
线圈连接方式 Connection Type	插片式 Pin type				
连接件规格 Connector Specifications	DIN43650A				

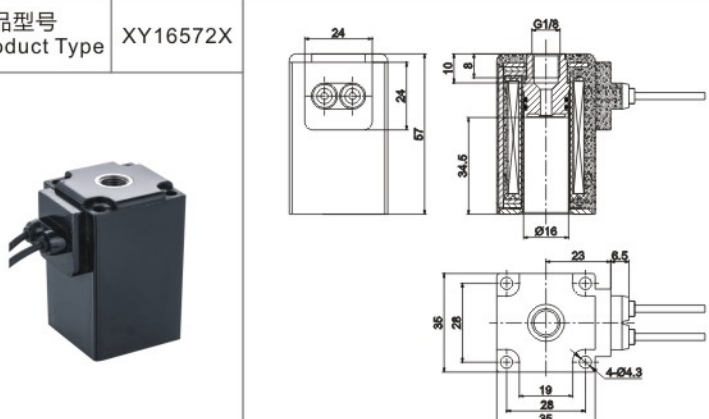
产品编号 Product No.	SB041	外形图 Outside View	包覆材料类型 Type Of Coating Material	热塑类 Thermoplastic coils	
产品型号 Product Type	STR-2 (螺纹式)		常规电压 Normal Voltage	DC12V	
常规功率 Normal Power	AC		—		
	DC		12W		
线圈连接方式 Connection Type	带螺纹接头 Pin Type With Screw				
连接件规格 Connector Specifications	$\phi 4$ -2P M27X1				

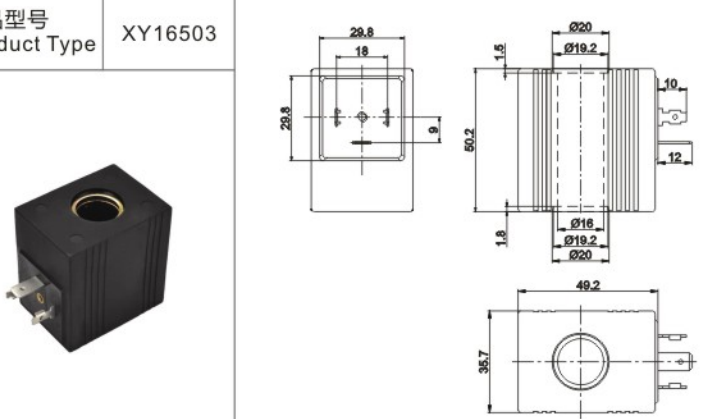
产品编号 Product No.	SB470	外形图 Outside View	包覆材料类型 Type Of Coating Material	热塑类 Thermoplastic coils	
产品型号 Product Type	WSH100		常规电压 Normal Voltage	DC12V、DC24V、AC110V、AC220V、RAC110V、RAC220V	
常规功率 Normal Power	AC		22VA 24.5W		
	DC		15W、26W		
线圈连接方式 Connection Type	插片式 Pin type				
连接件规格 Connector Specifications	DIN43650A				

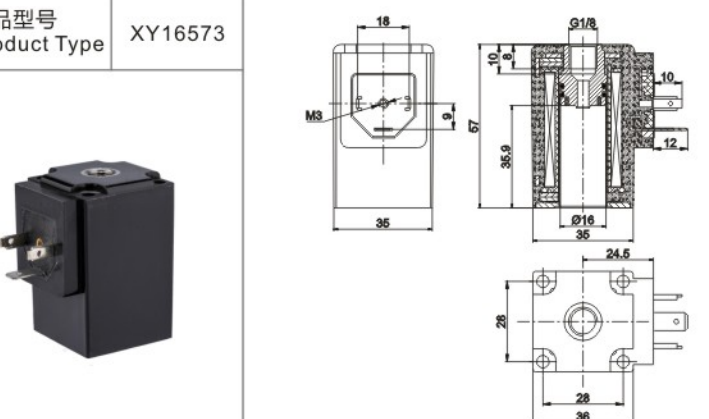
产品编号 Product No.	SB481	外形图 Outside View	包覆材料类型 Type Of Coating Material	热塑类 Thermoplastic coils	
产品型号 Product Type	Y-1		常规电压 Normal Voltage	DC12V	
常规功率 Normal Power	AC		—		
	DC		21W		
线圈连接方式 Connection Type	引线式 With Flying leads				
连接件规格 Connector Specifications	18AWG/0.85mm <sup>2</sup> , 400mm				

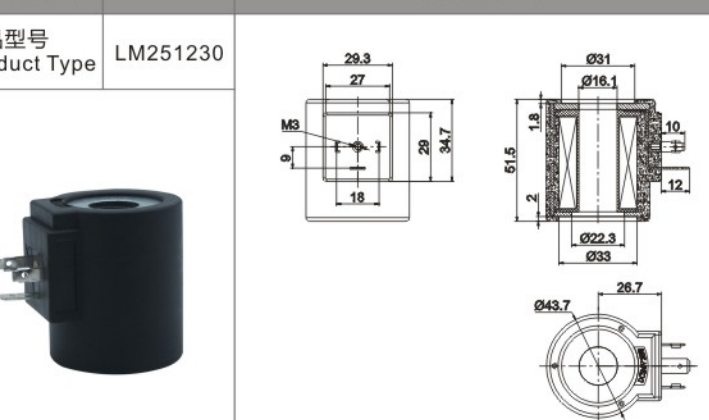
产品编号 Product No.	SB1119	外形图 Outside View	包覆材料类型 Type Of Coating Material	热塑类 Thermoplastic coils	
产品型号 Product Type	WSH100-1X		常规电压 Normal Voltage	DC24V	
常规功率 Normal Power	AC		—		
	DC		24W、27W		
线圈连接方式 Connection Type	引线式 With Flying leads				
连接件规格 Connector Specifications	18AWG/0.75mm <sup>2</sup> , 400mm				

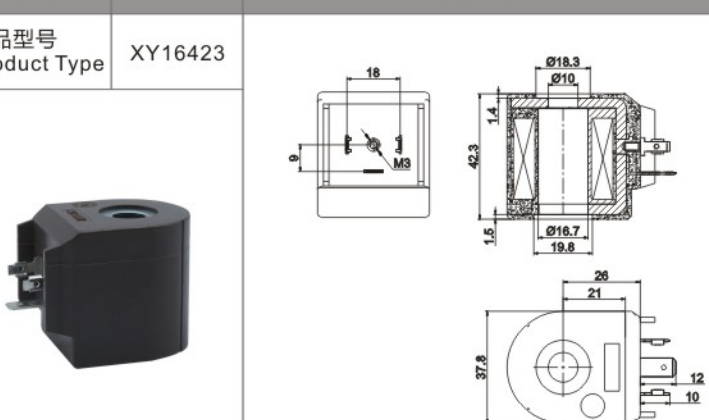
产品编号 Product No.	SB777	外形图 Outside View	包覆材料类型 Type Of Coating Material	热塑类 Thermoplastic coils
产品型号 Product Type	SK16502S		常规电压 Normal Voltage	DC12V、DC24V
			常规功率 Normal Power	AC — DC 32.5W
			线圈连接方式 Connection Type	螺纹式 With Screw
			连接件规格 Connector Specifications	M4

产品编号 Product No.	SB989	外形图 Outside View	包覆材料类型 Type Of Coating Material	热固类 Thermosetting coils
产品型号 Product Type	XY16572X		常规电压 Normal Voltage	DC24V
			常规功率 Normal Power	AC — DC 23W
			线圈连接方式 Connection Type	引线式 With Flying leads
			连接件规格 Connector Specifications	20AWG/0.5mm <sup>2</sup> , 130mm

产品编号 Product No.	SB751	外形图 Outside View	包覆材料类型 Type Of Coating Material	热塑类 Thermoplastic coils
产品型号 Product Type	XY16503		常规电压 Normal Voltage	DC12V、DC24V、AC220V
			常规功率 Normal Power	AC 20W、29W DC 19W、35W
			线圈连接方式 Connection Type	插片式 Pin type
			连接件规格 Connector Specifications	DIN43650A

产品编号 Product No.	SB1000	外形图 Outside View	包覆材料类型 Type Of Coating Material	热固类 Thermosetting coils
产品型号 Product Type	XY16573		常规电压 Normal Voltage	DC24V、DC110V、AC110V、AC220V
			常规功率 Normal Power	AC — DC 8W
			线圈连接方式 Connection Type	插片式 Pin type
			连接件规格 Connector Specifications	DIN43650A

产品编号 Product No.	SB487	外形图 Outside View	包覆材料类型 Type Of Coating Material	热塑类 Thermoplastic coils
产品型号 Product Type	LM251230		常规电压 Normal Voltage	DC12V、DC24V、DC48V
			常规功率 Normal Power	AC — DC 19W、23W
			线圈连接方式 Connection Type	插片式 Pin type
			连接件规格 Connector Specifications	DIN43650A

产品编号 Product No.	SB597	外形图 Outside View	包覆材料类型 Type Of Coating Material	热塑类 Thermoplastic coils
产品型号 Product Type	XY16423		常规电压 Normal Voltage	DC24V、AC110V、AC220V、AC230V
			常规功率 Normal Power	AC 18VA、21VA、27VA DC 12W、20W
			线圈连接方式 Connection Type	插片式 Pin type
			连接件规格 Connector Specifications	DIN43650A

产品编号 Product No.	SB1043	外形图 Outside View	包覆材料类型 Type Of Coating Material	热塑类 Thermoplastic coils
产品型号 Product Type	XY17553		常规电压 Normal Voltage	DC24V
			常规功率 Normal Power	AC — DC 6W
			线圈连接方式 Connection Type	插片式 Pin type
			连接件规格 Connector Specifications	工业B型 Industrial

产品编号 Product No.	SB713	外形图 Outside View	包覆材料类型 Type Of Coating Material	热固类 Thermosetting coils
产品型号 Product Type	K23D-3H		常规电压 Normal Voltage	DC24V、DC48V、DC74V、 DC110V、AC220V
			常规功率 Normal Power	AC 22VA DC 9.5W、10.5W、12W
			线圈连接方式 Connection Type	插片式 Pin type
			连接件规格 Connector Specifications	DIN43650A

产品编号 Product No.	SB551	外形图 Outside View	包覆材料类型 Type Of Coating Material	热塑类 Thermoplastic coils
产品型号 Product Type	HS17553		常规电压 Normal Voltage	DC24V、AC110V、AC220V
			常规功率 Normal Power	AC 12VA DC 7.5W
			线圈连接方式 Connection Type	插片式 Pin type
			连接件规格 Connector Specifications	DIN43650A

产品编号 Product No.	SB846	外形图 Outside View	包覆材料类型 Type Of Coating Material	热塑类 Thermoplastic coils
产品型号 Product Type	VMG45		常规电压 Normal Voltage	DC24V
			常规功率 Normal Power	AC — DC 14W
			线圈连接方式 Connection Type	引线式 With Flying leads
			连接件规格 Connector Specifications	24AWG/0.2mm <sup>2</sup> , 100mm

产品编号 Product No.	SB085	外形图 Outside View	包覆材料类型 Type Of Coating Material	热塑类 Thermoplastic coils
产品型号 Product Type	K23D-3		常规电压 Normal Voltage	DC24V、DC110V、AC110V、AC220V
			常规功率 Normal Power	AC 22VA DC 12W
			线圈连接方式 Connection Type	压板式 Plate mount
			连接件规格 Connector Specifications	—

产品编号 Product No.	SB874	外形图 Outside View	包覆材料类型 Type Of Coating Material	热塑类 Thermoplastic coils
产品型号 Product Type	XY18402		常规电压 Normal Voltage	DC12V、DC24V
			常规功率 Normal Power	AC — DC 18W
			线圈连接方式 Connection Type	带螺纹接头 Pin Type With Screw
			连接件规格 Connector Specifications	Ø4-2P M2.7X1

产品编号 Product No.	SB933	外形图 Outside View	包覆材料类型 Type Of Coating Material	热塑类 Thermoplastic coils
产品型号 Product Type	XY18402-A		常规电压 Normal Voltage	DC12V、DC24V
常规功率 Normal Power	AC		—	
	DC		18W、23W、25.5W	
线圈连接方式 Connection Type	带螺纹接头 Pin Type With Screw			
连接件规格 Connector Specifications	Ø4-2P M24X1			

产品编号 Product No.	SB875	外形图 Outside View	包覆材料类型 Type Of Coating Material	热塑类 Thermoplastic coils
产品型号 Product Type	XY18401X		常规电压 Normal Voltage	C12V、DC24V
常规功率 Normal Power	AC		—	
	DC		23W、26.5W	
线圈连接方式 Connection Type	引线式 With Flying leads			
连接件规格 Connector Specifications	2×0.75mm <sup>2</sup> , 3000mm			

产品编号 Product No.	SB940	外形图 Outside View	包覆材料类型 Type Of Coating Material	热塑类 Thermoplastic coils
产品型号 Product Type	XY18402B		常规电压 Normal Voltage	DC12V、DC24V
常规功率 Normal Power	AC		—	
	DC		18W、19.2W	
线圈连接方式 Connection Type	接插式 Meet & Insert Type			
连接件规格 Connector Specifications	DEUTSCH DT04-2P			

产品编号 Product No.	SB934	外形图 Outside View	包覆材料类型 Type Of Coating Material	热塑类 Thermoplastic coils
产品型号 Product Type	XY18402X		常规电压 Normal Voltage	DC12V、DC24V
常规功率 Normal Power	AC		—	
	DC		23W、25.5W	
线圈连接方式 Connection Type	引线式 With Flying leads			
连接件规格 Connector Specifications	18AWG/0.75mm <sup>2</sup> , 450mm			

产品编号 Product No.	SB941	外形图 Outside View	包覆材料类型 Type Of Coating Material	热塑类 Thermoplastic coils
产品型号 Product Type	XY18402-C		常规电压 Normal Voltage	DC12V
常规功率 Normal Power	AC		—	
	DC		18W	
线圈连接方式 Connection Type	插片式 Pin type			
连接件规格 Connector Specifications	6.3-2P			

产品编号 Product No.	SB1026	外形图 Outside View	包覆材料类型 Type Of Coating Material	热塑类 Thermoplastic coils
产品型号 Product Type	XY18403		常规电压 Normal Voltage	DC12V、DC24V
常规功率 Normal Power	AC		—	
	DC		19W、26W	
线圈连接方式 Connection Type	插片式 Pin type			
连接件规格 Connector Specifications	DIN43650A			

产品编号 Product No.	SB804	外形图 Outside View	包覆材料类型 Type Of Coating Material	热固类 Thermosetting coils
产品型号 Product Type	XY18483		常规电压 Normal Voltage	DC24V
常规功率 Normal Power	AC		—	
	DC		11.5W	
线圈连接方式 Connection Type	插片式 Pin type			
连接件规格 Connector Specifications	DIN43650A			

产品编号 Product No.	SB1165	外形图 Outside View	包覆材料类型 Type Of Coating Material	热固类 Thermosetting coils
产品型号 Product Type	XY18402-TX		常规电压 Normal Voltage	DC24V
常规功率 Normal Power	AC		—	
	DC		23W	
线圈连接方式 Connection Type	接插式 Meet & Insert Type			
连接件规格 Connector Specifications	ISO 15170-B1-2.1-SN/K1-GN			

产品编号 Product No.	SB805	外形图 Outside View	包覆材料类型 Type Of Coating Material	热固类 Thermosetting coils
产品型号 Product Type	XY18482X		常规电压 Normal Voltage	DC24V
常规功率 Normal Power	AC		—	
	DC		11.5W	
线圈连接方式 Connection Type	引线式 With Flying leads			
连接件规格 Connector Specifications	18AWG/0.75mm <sup>2</sup> , 300mm			

产品编号 Product No.	SB1155	外形图 Outside View	包覆材料类型 Type Of Coating Material	热固类 Thermosetting coils
产品型号 Product Type	XY18402-RG		常规电压 Normal Voltage	DC24V
常规功率 Normal Power	AC		—	
	DC		23W	
线圈连接方式 Connection Type	接插式 Meet & Insert Type			
连接件规格 Connector Specifications	ISO 15170-B1-2.1-SN/K1-GN			

产品编号 Product No.	SB1224	外形图 Outside View	包覆材料类型 Type Of Coating Material	热固类 Thermosetting coils
产品型号 Product Type	XY18483-A		常规电压 Normal Voltage	DC24V
常规功率 Normal Power	AC		—	
	DC		11.5W	
线圈连接方式 Connection Type	插片式 Pin type			
连接件规格 Connector Specifications	DIN43650A			

产品编号 Product No.	SB1178	外形图 Outside View	包覆材料类型 Type Of Coating Material	热固类 Thermosetting coils
产品型号 Product Type	XY18402-1X		常规电压 Normal Voltage	DC24V
常规功率 Normal Power	AC		—	
	DC		23W	
线圈连接方式 Connection Type	引线式 With Flying leads			
连接件规格 Connector Specifications	2X0.75mm <sup>2</sup> , 190mm			





产品编号 Product No.	SB1073	外形图 Outside View	包覆材料类型 Type Of Coating Material	热固类 Thermosetting coils
产品型号 Product Type	XY20482		常规电压 Normal Voltage	DC12V、DC24V
			常规功率 Normal Power	AC — DC 28.8W
			线圈连接方式 Connection Type	插针式 Needle Type
			连接件规格 Connector Specifications	$\phi 2.5\text{-}2\text{P}$

产品编号 Product No.	SB558	外形图 Outside View	包覆材料类型 Type Of Coating Material	热固类 Thermosetting coils
产品型号 Product Type	XY20551		常规电压 Normal Voltage	DC12V、DC24V、AC24V、AC110V、AC220V
			常规功率 Normal Power	AC 30W DC 38W
			线圈连接方式 Connection Type	引线式 With Flying leads
			连接件规格 Connector Specifications	$3\text{X}1\text{mm}^2$ , 1000mm

产品编号 Product No.	SB1074	外形图 Outside View	包覆材料类型 Type Of Coating Material	热固类 Thermosetting coils
产品型号 Product Type	XY20483		常规电压 Normal Voltage	DC12V、DC24V
			常规功率 Normal Power	AC — DC 28.8W
			线圈连接方式 Connection Type	插片式 Pin type
			连接件规格 Connector Specifications	DIN43650A

产品编号 Product No.	SB298	外形图 Outside View	包覆材料类型 Type Of Coating Material	热固类 Thermosetting coils
产品型号 Product Type	XY20553		常规电压 Normal Voltage	DC12V、DC24V、AC24V、AC110V、AC220V
			常规功率 Normal Power	AC 28VA、44VA DC 33W、38W
			线圈连接方式 Connection Type	插片式 Pin type
			连接件规格 Connector Specifications	DIN43650A

产品编号 Product No.	SB1154	外形图 Outside View	包覆材料类型 Type Of Coating Material	热固类 Thermosetting coils
产品型号 Product Type	XY20532		常规电压 Normal Voltage	DC24V
			常规功率 Normal Power	AC — DC 10W
			线圈连接方式 Connection Type	插针式 Needle Type
			连接件规格 Connector Specifications	$\phi 2.5\text{-}2\text{P}$

产品编号 Product No.	SB798	外形图 Outside View	包覆材料类型 Type Of Coating Material	热固类 Thermosetting coils
产品型号 Product Type	20553EX		常规电压 Normal Voltage	DC24V、AC220V
			常规功率 Normal Power	AC 33VA DC 23W
			线圈连接方式 Connection Type	插片式 Pin type
			连接件规格 Connector Specifications	DIN43650A



产品编号 Product No.	SB412	外形图 Outside View	包覆材料类型 Type Of Coating Material	热塑类 Thermoplastic coils
产品型号 Product Type	MFZ16Y-37-02		常规电压 Normal Voltage	DC12V、DC24V
常规功率 Normal Power	AC		—	
			DC	34W
线圈连接方式 Connection Type	接插式 Meet & Insert Type			
连接件规格 Connector Specifications	DEUTSCH DT04-2P			

产品编号 Product No.	SB1199	外形图 Outside View	包覆材料类型 Type Of Coating Material	热塑类 Thermoplastic coils
产品型号 Product Type	XY23502		常规电压 Normal Voltage	DC24V
常规功率 Normal Power	AC		—	
			DC	58W
线圈连接方式 Connection Type	插针式 Needle Type			
连接件规格 Connector Specifications	$\phi 2.5-2P$			

产品编号 Product No.	SB1219	外形图 Outside View	包覆材料类型 Type Of Coating Material	热固类 Thermosetting coils
产品型号 Product Type	XY23893		常规电压 Normal Voltage	DC24V
常规功率 Normal Power	AC		—	
			DC	192W
线圈连接方式 Connection Type	接插式 Meet & Insert Type			
连接件规格 Connector Specifications	—			

产品编号 Product No.	SB785	外形图 Outside View	包覆材料类型 Type Of Coating Material	热塑类 Thermoplastic coils
产品型号 Product Type	XY23503		常规电压 Normal Voltage	DC12V、DC24V
常规功率 Normal Power	AC		—	
			DC	30W、36W
线圈连接方式 Connection Type	插片式 Pin type			
连接件规格 Connector Specifications	DIN43650A			

产品编号 Product No.	SB506	外形图 Outside View	包覆材料类型 Type Of Coating Material	热塑类 Thermoplastic coils
产品型号 Product Type	XY23553		常规电压 Normal Voltage	DC12V、DC24V
常规功率 Normal Power	AC		—	
			DC	32W
线圈连接方式 Connection Type	插片式 Pin type			
连接件规格 Connector Specifications	DIN43650A			

产品编号 Product No.	SB1019	外形图 Outside View	包覆材料类型 Type Of Coating Material	热塑类 Thermoplastic coils	
产品型号 Product Type	XY24262		常规电压 Normal Voltage	DC24V	
常规功率 Normal Power	AC		—		
	DC		13W		
线圈连接方式 Connection Type	接插式 Meet & Insert Type				
连接件规格 Connector Specifications	ISO 15170-B1-4.1-SN/K1-B				

产品编号 Product No.	SB527	外形图 Outside View	包覆材料类型 Type Of Coating Material	热固类 Thermosetting coils	
产品型号 Product Type	AMC25453		常规电压 Normal Voltage	AC110V、AC220V	
常规功率 Normal Power	AC		35VA		
	DC		—		
线圈连接方式 Connection Type	插片式 Pin type				
连接件规格 Connector Specifications	DIN43650A				

产品编号 Product No.	SB1143	外形图 Outside View	包覆材料类型 Type Of Coating Material	热塑类 Thermoplastic coils	
产品型号 Product Type	XY24352X		常规电压 Normal Voltage	DC24V	
常规功率 Normal Power	AC		—		
	DC		16W		
线圈连接方式 Connection Type	引线式 With Flying leads				
连接件规格 Connector Specifications	18AWG/0.75mm <sup>2</sup> , 300mm				

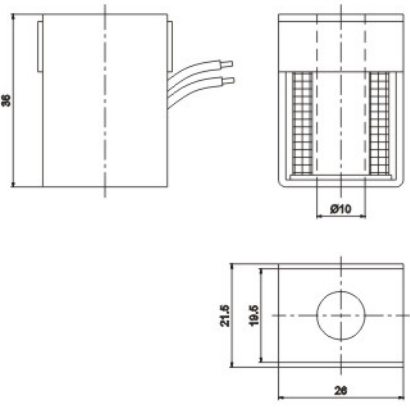

产品编号 Product No.	SB748	外形图 Outside View	包覆材料类型 Type Of Coating Material	热塑类 Thermoplastic coils	
产品型号 Product Type	VMG55		常规电压 Normal Voltage	DC24V	
常规功率 Normal Power	AC		—		
	DC		15.8W		
线圈连接方式 Connection Type	引线式 With Flying leads				
连接件规格 Connector Specifications	24AWG/0.2mm <sup>2</sup> , 130mm				

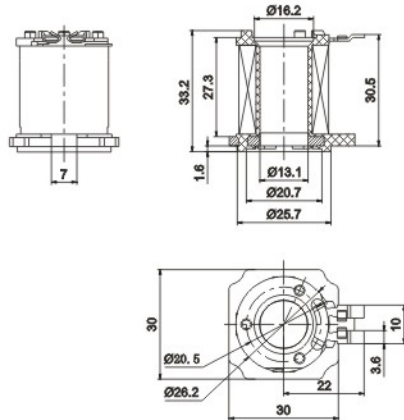

产品编号 Product No.	SB996	外形图 Outside View	包覆材料类型 Type Of Coating Material	非塑封类 No Encapsulation	
产品型号 Product Type	P262		常规电压 Normal Voltage	DC6V、DC12V	
常规功率 Normal Power	AC		—		
	DC		2.5W		
线圈连接方式 Connection Type	引线式 With Flying leads				
连接件规格 Connector Specifications	24AWG/0.2mm <sup>2</sup> , 300mm				

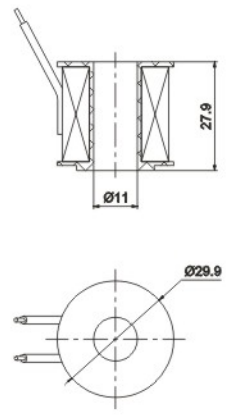

产品编号 Product No.	SB707	外形图 Outside View	包覆材料类型 Type Of Coating Material	非塑封类 No Encapsulation	
产品型号 Product Type	XY08322X		常规电压 Normal Voltage	DC24V	
常规功率 Normal Power	AC		—		
	DC		7W		
线圈连接方式 Connection Type	引线式 With Flying leads				
连接件规格 Connector Specifications	26AWG/0.13mm <sup>2</sup> , 200mm				

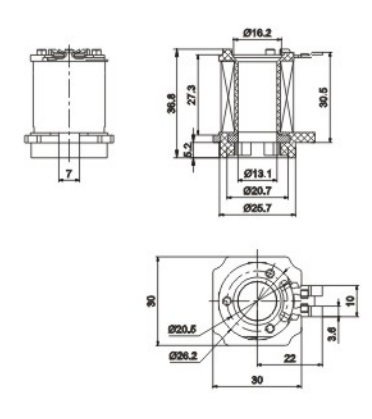

产品编号 Product No.	SB596	外形图 Outside View	包覆材料类型 Type Of Coating Material	非塑封类 No Encapsulation	
产品型号 Product Type	EM15		常规电压 Normal Voltage	DC12V、DC24V	
常规功率 Normal Power	AC		—		
	DC		57.5W、85W		
线圈连接方式 Connection Type	插片式 Pin type				
连接件规格 Connector Specifications	6.3-2P				

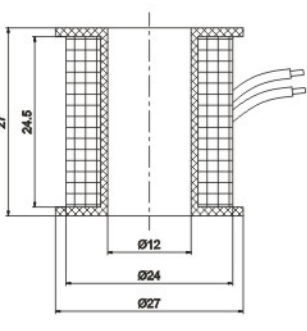



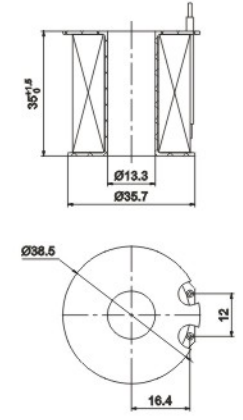

产品编号 Product No.	SB449	外形图 Outside View	包覆材料类型 Type Of Coating Material	非塑封类 No Encapsulation
产品型号 Product Type	102A		常规电压 Normal Voltage	DC6V、DC24V
			常规功率 Normal Power	AC — DC 6W、9W
			线圈连接方式 Connection Type	引线式 With Flying leads
			连接件规格 Connector Specifications	18AWG/0.75mm <sup>2</sup> , 550mm


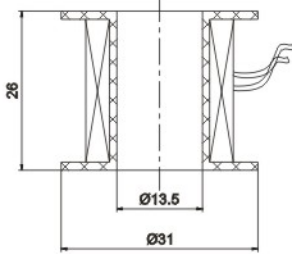
产品编号 Product No.	SB1205	外形图 Outside View	包覆材料类型 Type Of Coating Material	非塑封类 No Encapsulation
产品型号 Product Type	XY13332		常规电压 Normal Voltage	DC24V
			常规功率 Normal Power	AC — DC 63.3W
			线圈连接方式 Connection Type	插片式 Pin type
			连接件规格 Connector Specifications	3.6X0.8


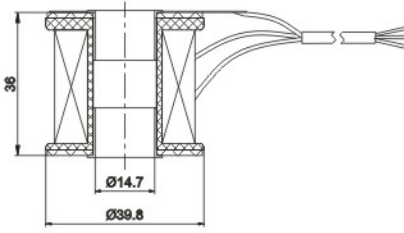
产品编号 Product No.	SB816	外形图 Outside View	包覆材料类型 Type Of Coating Material	非塑封类 No Encapsulation
产品型号 Product Type	XY11282X		常规电压 Normal Voltage	DC24V
			常规功率 Normal Power	AC — DC 12W
			线圈连接方式 Connection Type	引线式 With Flying leads
			连接件规格 Connector Specifications	20AWG/0.5mm <sup>2</sup> , 340mm


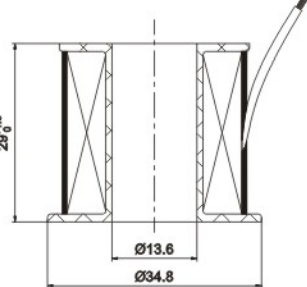
产品编号 Product No.	SB1206	外形图 Outside View	包覆材料类型 Type Of Coating Material	非塑封类 No Encapsulation
产品型号 Product Type	XY13332-L		常规电压 Normal Voltage	DC24V
			常规功率 Normal Power	AC — DC 63.3W
			线圈连接方式 Connection Type	插片式 Pin type
			连接件规格 Connector Specifications	3.6X0.8


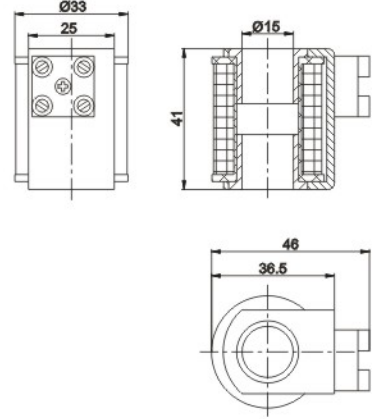
产品编号 Product No.	SB270	外形图 Outside View	包覆材料类型 Type Of Coating Material	非塑封类 No Encapsulation
产品型号 Product Type	BD-C		常规电压 Normal Voltage	DC12V、DC24V
			常规功率 Normal Power	AC — DC 3.3W、6W、16W
			线圈连接方式 Connection Type	引线式 With Flying leads
			连接件规格 Connector Specifications	20AWG/0.5mm <sup>2</sup> , 450mm


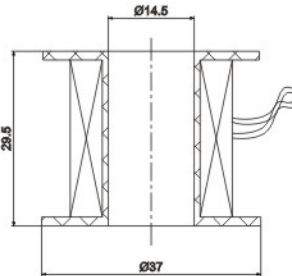
产品编号 Product No.	SB945	外形图 Outside View	包覆材料类型 Type Of Coating Material	非塑封类 No Encapsulation
产品型号 Product Type	XY13352X		常规电压 Normal Voltage	DC24V
			常规功率 Normal Power	AC — DC 10W
			线圈连接方式 Connection Type	引线式 With Flying leads
			连接件规格 Connector Specifications	18AWG/0.75mm <sup>2</sup> , 450mm


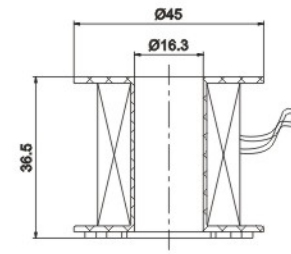
产品编号 Product No.	SB063	外形图 Outside View	包覆材料类型 Type Of Coating Material	非塑封类 No Encapsulation	
产品型号 Product Type	KSD(小1B)	 	常规电压 Normal Voltage	DC24V、AC24V、AC110V、AC220V	
常规功率 Normal Power	AC		—		
	DC		10W		
线圈连接方式 Connection Type	引线式 With Flying leads				
连接件规格 Connector Specifications	1mm <sup>2</sup> , 420mm				

产品编号 Product No.	SB871	外形图 Outside View	包覆材料类型 Type Of Coating Material	非塑封类 No Encapsulation	
产品型号 Product Type	XY15333X	 	常规电压 Normal Voltage	DC12V、DC24V、AC220V	
常规功率 Normal Power	AC		28VA		
	DC		9W、20W		
线圈连接方式 Connection Type	引线式 With Flying leads				
连接件规格 Connector Specifications	3X0.75mm <sup>2</sup> , 2m				

产品编号 Product No.	SB815	外形图 Outside View	包覆材料类型 Type Of Coating Material	非塑封类 No Encapsulation	
产品型号 Product Type	XY13292X	 	常规电压 Normal Voltage	DC24V	
常规功率 Normal Power	AC		—		
	DC		12W、14W、16W		
线圈连接方式 Connection Type	引线式 With Flying leads				
连接件规格 Connector Specifications	0.3mm <sup>2</sup> , 340mm				

产品编号 Product No.	SB046	外形图 Outside View	包覆材料类型 Type Of Coating Material	非塑封类 No Encapsulation	
产品型号 Product Type	801-T1.2	 	常规电压 Normal Voltage	DC24V、AC24V、AC110V、AC220V	
常规功率 Normal Power	AC		11VA		
	DC		7.5W		
线圈连接方式 Connection Type	接线端子 Terminal Type				
连接件规格 Connector Specifications	—				

产品编号 Product No.	SB059	外形图 Outside View	包覆材料类型 Type Of Coating Material	非塑封类 No Encapsulation	
产品型号 Product Type	UD-8	 	常规电压 Normal Voltage	DC12V、DC24V、AC110V、AC220V	
常规功率 Normal Power	AC		20VA		
	DC		9W、15W		
线圈连接方式 Connection Type	引线式 With Flying leads				
连接件规格 Connector Specifications	1mm <sup>2</sup> , 350mm				

产品编号 Product No.	SB060	外形图 Outside View	包覆材料类型 Type Of Coating Material	非塑封类 No Encapsulation	
产品型号 Product Type	UD-15	 	常规电压 Normal Voltage	DC24V、AC24V、AC110V、AC220V	
常规功率 Normal Power	AC		18VA		
	DC		20W、26W		
线圈连接方式 Connection Type	引线式 With Flying leads				
连接件规格 Connector Specifications	1mm <sup>2</sup> , 350mm				

产品编号 Product No.	SB094	外形图 Outside View	包覆材料类型 Type Of Coating Material	非塑封类 No Encapsulation	
产品型号 Product Type	Q23XD-2A		常规电压 Normal Voltage	DC24V、AC220V	
常规功率 Normal Power	AC		13VA		
	DC		9W		
线圈连接方式 Connection Type	引线式 With Flying leads				
连接件规格 Connector Specifications	0.3mm <sup>2</sup> , 200mm				

产品编号 Product No.	SB953	外形图 Outside View	包覆材料类型 Type Of Coating Material	非塑封类 No Encapsulation	
产品型号 Product Type	XYGJ05		常规电压 Normal Voltage	—	
常规功率 Normal Power	AC		—		
	DC		—		
线圈连接方式 Connection Type	插片式 Pin type				
连接件规格 Connector Specifications	4.8X0.5				

产品编号 Product No.	SB997	外形图 Outside View	包覆材料类型 Type Of Coating Material	非塑封类 No Encapsulation	
产品型号 Product Type	XY19572X		常规电压 Normal Voltage	DC24V	
常规功率 Normal Power	AC		—		
	DC		15W		
线圈连接方式 Connection Type	引线式 With Flying leads				
连接件规格 Connector Specifications	25AWG/0.15mm <sup>2</sup> , 220mm				

产品编号 Product No.	SB062	外形图 Outside View	包覆材料类型 Type Of Coating Material	非塑封类 No Encapsulation	
产品型号 Product Type	US		常规电压 Normal Voltage	DC24V、AC110V、AC220V	
常规功率 Normal Power	AC		28VA		
	DC		23W		
线圈连接方式 Connection Type	引线式 With Flying leads				
连接件规格 Connector Specifications	18AWG/0.75mm <sup>2</sup> , 2m				

产品编号 Product No.	SB872	外形图 Outside View	包覆材料类型 Type Of Coating Material	非塑封类 No Encapsulation	
产品型号 Product Type	XY21453X		常规电压 Normal Voltage	DC12V、DC24V、AC110V、AC220V	
常规功率 Normal Power	AC		44VA		
	DC		25W、41W		
线圈连接方式 Connection Type	引线式 With Flying leads				
连接件规格 Connector Specifications	3X0.75mm <sup>2</sup> , 2m				

产品编号 Product No.	SB1226	外形图 Outside View	包覆材料类型 Type Of Coating Material	非塑封类 No Encapsulation	
产品型号 Product Type	XY26642X		常规电压 Normal Voltage	DC24V	
常规功率 Normal Power	AC		—		
	DC		41W		
线圈连接方式 Connection Type	引线式 With Flying leads				
连接件规格 Connector Specifications	18AWG/0.75mm <sup>2</sup> , 280mm				

产品编号 Product No.	SB459	外形图 Outside View	包覆材料类型 Type Of Coating Material	非塑封类 No Encapsulation	
产品型号 Product Type	XY37502		常规电压 Normal Voltage	DC24V	
常规功率 Normal Power	AC		—		
	DC		15W		
线圈连接方式 Connection Type	引线式 With Flying leads				
连接件规格 Connector Specifications	25AWG/0.15mm <sup>2</sup> , 600mm				

产品编号 Product No.	SB249	外形图 Outside View	包覆材料类型 Type Of Coating Material	环氧树脂 Epoxy Resin	
产品型号 Product Type	F17		常规电压 Normal Voltage	DC12V、DC28V	
常规功率 Normal Power	AC		—		
	DC		5W		
线圈连接方式 Connection Type	引线式 With Flying leads				
连接件规格 Connector Specifications	20AWG/0.5mm <sup>2</sup> , 180mm				

产品编号 Product No.	SB1201	外形图 Outside View	包覆材料类型 Type Of Coating Material	环氧树脂 Epoxy Resin	
产品型号 Product Type	XY18583		常规电压 Normal Voltage	DC24V	
常规功率 Normal Power	AC		—		
	DC		13W		
线圈连接方式 Connection Type	插片式 Pin type				
连接件规格 Connector Specifications	DIN43650A				

» 产品概述 Product Overview

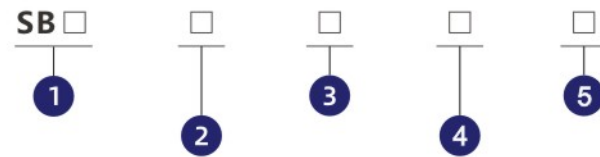
接线盒又名连接器，广泛应用于液压、气动、电器等行业中，作为电磁线圈等与外界控制部分的电气连接。本公司生产的接线盒接口形式有符合EN 175301-803（以前是DIN 43650）的43650A型和工业B型及工业C型，防护等级有IP65和IP67可供选择。塑料件采用优质工程塑料，具有良好的机械强度、耐腐蚀性和绝缘性能。插片采用高导电、高回弹材料，接触性能好、可靠性高。更有多种颜色，多种电路可供选择。如您有什么特殊的要求，请与我们联系。

The connector, also known as a junction box, is widely used in hydraulic, pneumatic, and electrical industries to connect electromagnetic coils with external control systems. Our junction boxes feature interfaces compliant with EN 175301-803 (formerly DIN 43650), including 43650A, industrial B, and industrial C types, with protection classes of IP65 and IP67. The plastic components are made of high-quality engineering plastics, offering excellent mechanical strength, corrosion resistance, and insulation. The contacts are made of highly conductive, highresilience materials for superior performance and reliability. Multiple colors and circuit configurations are available. For special requirements, please contact us.

» 注意事项 Precautions

- 接线前请务必断开电源，确保安全。
- 请根据电磁阀的额定电压和电流选择合适的接线盒。
- 直流接线盒接线时请注意区分正负极（1为正，2为负），避免接错。
- Always disconnect the power supply before wiring to ensure safety.
- Select a junction box that matches the solenoid valve's rated voltage and current.
- For DC junction boxes, ensure correct polarity (1 for positive, 2 for negative) to avoid wiring errors.

» 订购码 Ordering Code



1. 本公司货号/Our code  
SB201、SB202...

2. 电压/Voltage  
12V~60V、60V~220V...

3. 电路形式/Circuit type  
No circuit、No.1、No.2...

4. 外壳颜色/Case Color  
黑色、茶色透明、白色透明等  
Black, Clear Brown, Clear White

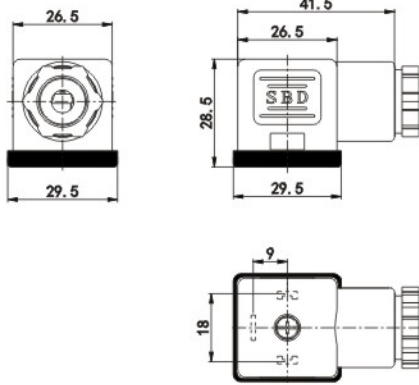

5. 其他说明/Other instruction  
电缆外径、环保等  
OD, Material

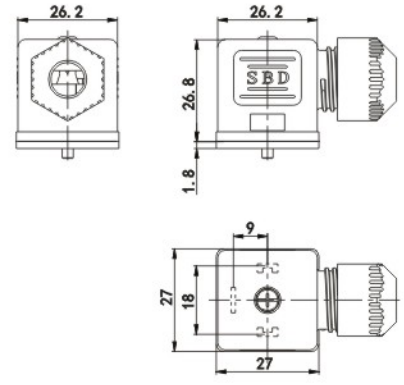

» 接线盒电气线路说明 Circuit Description Of Connectors

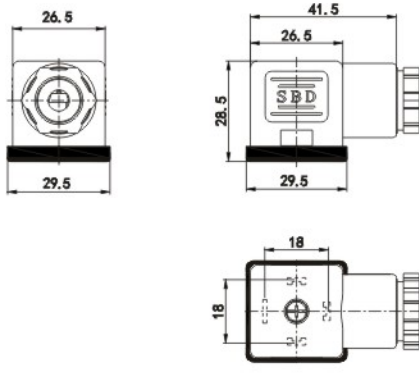

<p>NO.1</p>	<p>NO.2</p>	<p>NO.3</p>
<p>单向LED与电阻串联作为电压指示，适用于AC、DC接线盒，DC接线盒接线时请注意区分正负极（1为正，2为负），避免接错。</p> <p>A unidirectional LED in series with a resistor is used as a voltage indicator, suitable for AC and DC connectors. When wiring the DC connectors, please pay attention to distinguish between the positive and negative terminals (1 is positive, 2 is negative) to avoid incorrect connections.</p>	<p>双向LED与电阻串联作为电压指示，一般用于DC接线盒，也可用于AC接线盒(常规品为正向红光，反向绿光，量大可定制)</p> <p>A bidirectional LED in series with a resistor is used as a voltage indicator, typically in DC connectors, but also applicable to AC connectors (standard products show red light in the forward direction and green light in the reversedirection; customization is available for large quantities).</p>	<p>单向LED与电阻串联作为电压指示；单向二极管用于电磁线圈反向电动势浪涌吸收，适用于DC接线盒(注意正负极，接反短路损坏，慎选)</p> <p>A unidirectional LED in series with a resistor is used as a voltage indicator; a unidirectional diode is used for reverse electromotive force surge absorption of electromagnetic coils, suitable for DC connectors (note the positive and negative terminals, reverse connection will cause short circuit damage, choose carefully).</p>

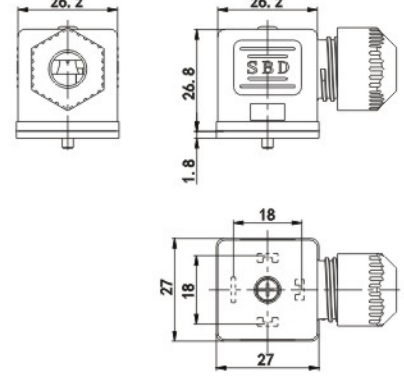

<p>NO.4</p>	<p>NO.5</p>	<p>NO.6</p>
<p>单向LED与电阻串联作为电压指示；压敏电阻过压保护及浪涌吸收，适用于AC、DC接线盒，DC接线盒接线时请注意区分正负极（1为正，2为负），避免接错。</p> <p>A unidirectional LED in series with a resistor is used as a voltage indicator; a varistor provides overvoltage protection and surge absorption, suitable for AC and DC connectors. When wiring the DC connectors, please pay attention to distinguish between the positive and negative terminals (1 is positive, 2 is negative) to avoid incorrect connections.</p>	<p>双向LED与电阻串联作为电压指示；压敏电阻过压保护及浪涌吸收，适用于AC、DC接线盒</p> <p>A bidirectional LED in series with a resistor is used as a voltage indicator; a varistor provides overvoltage protection and surge absorption, suitable for AC and DC connectors.</p>	<p>桥堆半波整流，不带LED电压指示</p> <p>Half-wave rectification with bridge rectifier, without LED voltage indication.</p>

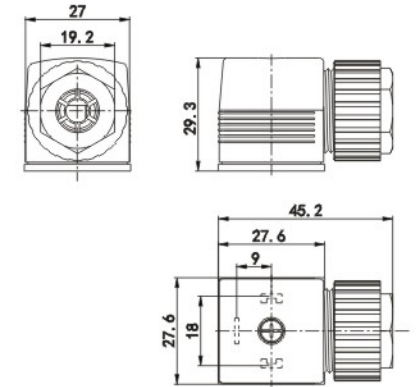

<p>NO.7</p>	<p>NO.8</p>	<p>NO.9</p>
<p>桥堆全波整流，不带LED电压指示</p> <p>Full-wave rectification with bridge rectifier, without LED voltage indication.</p>	<p>桥堆半波整流，单向LED与电阻串联作为电压指示；压敏电阻过压保护及浪涌吸收</p> <p>Half-wave rectification with bridge rectifier, unidirectional LED in series with a resistor as voltage indication; varistor for overvoltage protection and surge absorption.</p>	<p>桥堆全波整流，双向LED与电阻串联作为电压指示；压敏电阻过压保护及浪涌吸收</p> <p>Full-wave rectification with bridge rectifier, bidirectional LED in series with a resistor as voltage indication; varistor for overvoltage protection and surge absorption.</p>

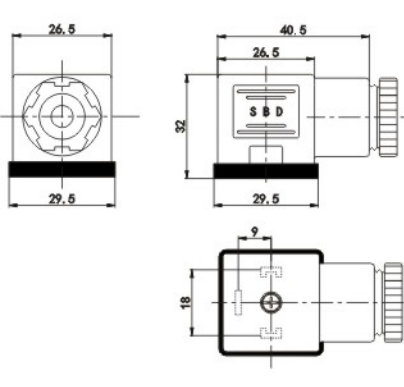

产品编号 Product No.	SB201	外形图 Outside View	插脚间距: 18mm 插脚形式: 2+1GND 防护等级: IP65 (IEC60529正确安装情况下) 工作电压: AC250V max. DC300V max. 额定电流: 10A 接触电阻: $\leq 5m\Omega$ 螺纹: PG11 适用电缆外径: $\varnothing 4mm, \varnothing 5mm, \varnothing 6mm, \varnothing 6.5mm, \varnothing 8mm$ (常规) 安装螺钉: M3X28 可选电路: 无电路 AC: 1, 2, 4, 5 DC: 2, 3, 5
产品型号 Product Type	0200 3孔 (0200 3-pin)		Distance: 18mm Form: 2+1GND Protection Class: IP65 (Proper installation) IEC 60529 Working Voltage: AC250V max. DC300V max. Nominal Current: 10A Contact resistance: $\leq 5m\Omega$ Thread: PG11 Cable Diameter: $\varnothing 4mm, \varnothing 5mm, \varnothing 6mm, \varnothing 6.5mm, \varnothing 8mm$ (normal) Fixing Screw: M3X28 Selectable circuit: no circuit AC: 1, 2, 4, 5 DC: 2, 3, 5
			

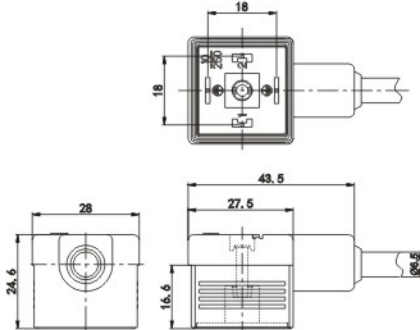

产品编号 Product No.	SB206	外形图 Outside View	插脚间距: 18mm 插脚形式: 2+1GND 防护等级: IP67 (IEC60529正确安装情况下) 工作电压: AC250V max DC300V max 额定电流: 10A 接触电阻: $\leq 5m\Omega$ 适用电缆外径: $\varnothing 4mm - \varnothing 8mm$ 安装螺钉: M3X30 可选电路: 无电路 AC: 1, 2, 4, 5 DC: 2, 3, 5
产品型号 Product Type	0200T 3孔 (0200T 3-pin)		Distance: 18mm Form: 2+1GND Protection Class: IP67 (Proper installation) IEC 60529 Working Voltage: AC250V max DC300V max Nominal Current: 10A Contact resistance: $\leq 5m\Omega$ Cable Diameter: $\varnothing 4mm - \varnothing 8mm$ Fixing Screw: M3X30 Selectable circuit: no circuit AC: 1, 2, 4, 5 DC: 2, 3, 5
			

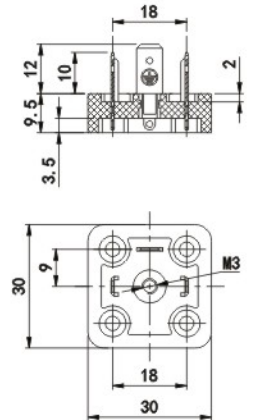

产品编号 Product No.	SB202	外形图 Outside View	插脚间距: 18mm 插脚形式: 3+1GND 防护等级: IP65 (IEC60529正确安装情况下) 工作电压: AC250V max. DC300V max. 额定电流: 10A 接触电阻: $\leq 5m\Omega$ 螺纹: PG11 适用电缆外径: $\varnothing 4mm, \varnothing 5mm, \varnothing 6mm, \varnothing 6.5mm, \varnothing 8mm$ (常规) 安装螺钉: M3X28 可选电路: 无电路 AC: 1, 2 DC: 2, 3
产品型号 Product Type	0200 4孔 (0200 4-pin)		Distance: 18mm Form: 3+1GND Protection Class: IP65 (Proper installation) IEC 60529 Working Voltage: AC250V max. DC300V max. Nominal Current: 10A Contact resistance: $\leq 5m\Omega$ Thread: PG11 Cable Diameter: $\varnothing 4mm, \varnothing 5mm, \varnothing 6mm, \varnothing 6.5mm, \varnothing 8mm$ (normal) Fixing Screw: M3X28 Selectable circuit: no circuit AC: 1, 2 DC: 2, 3
			

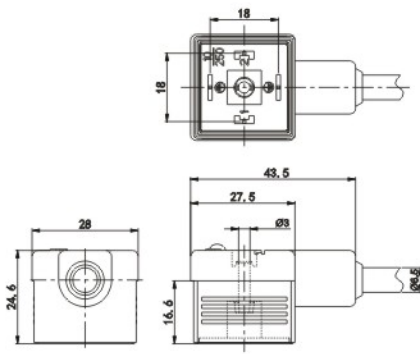

产品编号 Product No.	SB207	外形图 Outside View	插脚间距: 18mm 插脚形式: 3+1GND 防护等级: IP67 (IEC60529正确安装情况下) 工作电压: AC250V max DC300V max 额定电流: 10A 接触电阻: $\leq 5m\Omega$ 适用电缆外径: $\varnothing 4mm - \varnothing 8mm$ 安装螺钉: M3X30 可选电路: 无电路 AC: 1, 2 DC: 2, 3
产品型号 Product Type	0200T 4孔 (0200T 4-pin)		Distance: 18mm Form: 3+1GND Protection Class: IP67 (Proper installation) IEC 60529 Working Voltage: AC250V max DC300V max Nominal Current: 10A Contact resistance: $\leq 5m\Omega$ Cable Diameter: $\varnothing 4mm - \varnothing 8mm$ Fixing Screw: M3X30 Selectable circuit: no circuit AC: 1, 2 DC: 2, 3
			

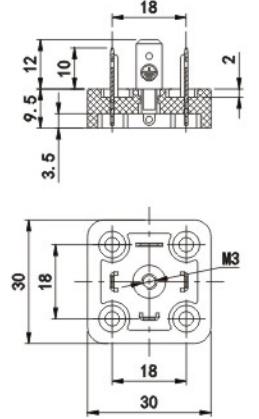

产品编号 Product No.	SB203	外形图 Outside View	插脚间距: 18mm 插脚形式: 2+1GND, 3+1GND 防护等级: IP65 (IEC60529正确安装情况下) 工作电压: AC250V max. DC300V max. 额定电流: 10A 接触电阻: $\leq 5m\Omega$ 螺纹: M22X1.25 适用电缆外径: $\varnothing 6.5mm, \varnothing 8mm$ 安装螺钉: M3X30 可选电路: 无电路
产品型号 Product Type	DIN43650A-BD		Distance: 18mm Form: 2+1GND, 3+1GND Protection Class: IP65 (Proper installation) IEC 60529 Working Voltage: AC250V max. DC300V max. Nominal Current: 10A Contact resistance: $\leq 5m\Omega$ Thread: M22X1.25 Cable Diameter: $\varnothing 6.5mm, \varnothing 8mm$ Fixing Screw: M3X30 Selectable circuit: no circuit
			

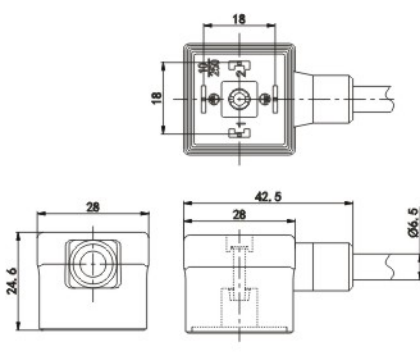

产品编号 Product No.	SB211	外形图 Outside View	插脚间距: 18mm 插脚形式: 2+1GND 防护等级: IP65 (IEC60529正确安装情况下) 工作电压: AC380V, AC220V, AC110V, AC24V 额定电流: 1A或2A 接触电阻: $\leq 5m\Omega$ 螺纹: PG11 适用电缆外径: $\varnothing 4mm, \varnothing 5mm, \varnothing 6mm, \varnothing 6.5mm, \varnothing 8mm$ 安装螺钉: M3X30 可选电路: 无电路、6、7、8、9
产品型号 Product Type	0200整流 (0200 Rectified)		Distance: 18mm Form: 2+1GND Protection Class: IP65 (Proper installation) IEC 60529 Working Voltage: AC380V, AC220V, AC110V, AC24V Nominal Current: 1A or 2A Contact resistance: $\leq 5m\Omega$ Thread: PG11 Cable Diameter: $\varnothing 4mm, \varnothing 5mm, \varnothing 6mm, \varnothing 6.5mm, \varnothing 8mm$ Fixing Screw: M3X30 Selectable circuit: no circuit, 6, 7, 8, 9
			

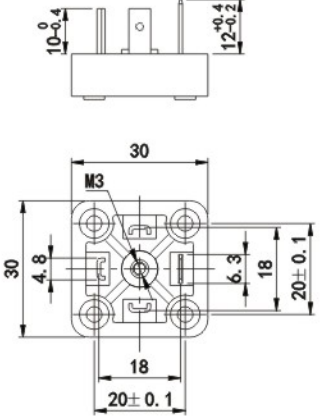

产品编号 Product No.	SB210	外形图 Outside View	插脚间距: 18mm 插脚形式: 2+2GND 防护等级: IP65 (IEC60529 正确安装情况下) 工作电压: AC250V max. DC300V max. 额定电流: 10A 接触电阻: $\leq 5m\Omega$ 引出线: $3 \times 0.75mm^2$ 1.5米 安装螺钉: M3X30
产品型号 Product Type	0200一体化 (0200Integrated)		Distance: 18mm Form: 2+2GND Protection Class: IP65 (Proper installation) IEC 60529 Working Voltage: AC250V max. DC300V max. Nominal Current: 10A Contact resistance: $\leq 5m\Omega$ Cable: $3 \times 0.75mm^2$ 1.5m Fixing Screw: M3X30
			

产品编号 Product No.	SB214-3	外形图 Outside View	插脚间距: 18mm 插脚形式: 2+1GND 防护等级: IP65 (IEC60529 正确安装情况下) 工作电压: AC250V max. DC300V max. 额定电流: 10A 接触电阻: $\leq 5m\Omega$ 安装螺钉: M3
产品型号 Product Type	F4-3公插座 (F4-3 Male Socket)		Distance: 18mm Form: 2+1GND Protection Class: IP65 (Proper installation) IEC 60529 Working Voltage: AC250V max. DC300V max. Nominal Current: 10A Contact resistance: $\leq 5m\Omega$ Fixing Screw: M3
			

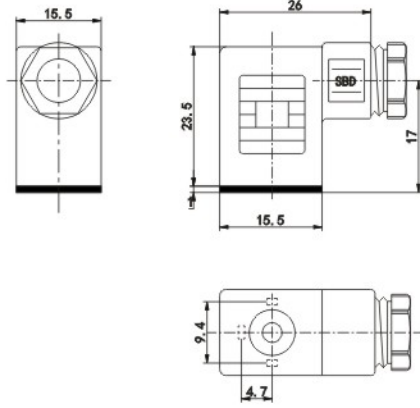

产品编号 Product No.	SB218	外形图 Outside View	插脚间距: 18mm 插脚形式: 2+2GND 防护等级: IP65 (IEC60529 正确安装情况下) 工作电压: AC250V max. DC300V max. 额定电流: 10A 接触电阻: $\leq 5m\Omega$ 电源指示: AC: 灯亮为ON, 灯灭为OFF DC: 红绿双色 引出线: $3 \times 0.75mm^2$ 1.5米 安装螺钉: M3X30 可选电路: AC: 3、5 DC: 4
产品型号 Product Type	0200一体化带灯 (0200Integrated with Light)		Distance: 18mm Form: 2+2GND Protection Class: IP65 (Proper installation) IEC 60529 Working Voltage: AC250V max. DC300V max. Nominal Current: 10A Contact resistance: $\leq 5m\Omega$ Indicator: AC: Light open is "ON", Light out is "OFF" DC: Red and green light Cable: $3 \times 0.75mm^2$ 1.5m Fixing Screw: M3X30 Selectable circuit: AC: 3、5 DC: 4
			

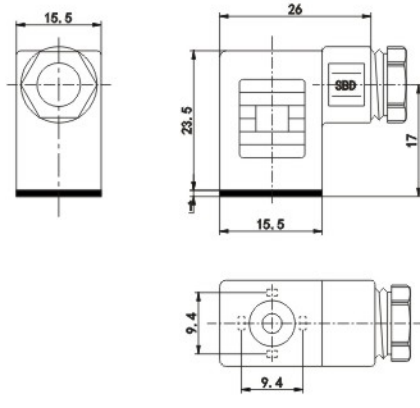

产品编号 Product No.	SB214-4	外形图 Outside View	插脚间距: 18mm 插脚形式: 3+1GND 防护等级: IP65 (IEC60529 正确安装情况下) 工作电压: AC250V max. DC300V max. 额定电流: 10A 接触电阻: $\leq 5m\Omega$ 安装螺钉: M3
产品型号 Product Type	F4-4公插座 (F4-4 Male Socket)		Distance: 18mm Form: 3+1GND Protection Class: IP65 (Proper installation) IEC 60529 Working Voltage: AC250V max. DC300V max. Nominal Current: 10A Contact resistance: $\leq 5m\Omega$ Fixing Screw: M3
			

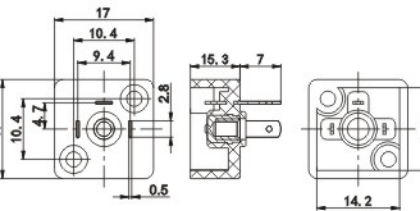

产品编号 Product No.	SB223	外形图 Outside View	插脚间距: 18mm 插脚形式: 2+2GND 防护等级: IP65 (IEC60529 正确安装情况下) 工作电压: AC250V max. DC300V max. 额定电流: 10A 接触电阻: $\leq 5m\Omega$ 引出线: $3 \times 0.75mm^2$ 1.5米 安装螺钉: M3X30
产品型号 Product Type	0200S一体化 (0200SIntegrated)		Distance: 18mm Form: 2+2GND Protection Class: IP65 (Proper installation) IEC 60529 Working Voltage: AC250V max. DC300V max. Nominal Current: 10A Contact resistance: $\leq 5m\Omega$ Cable: $3 \times 0.75mm^2$ 1.5m Fixing Screw: M3X30
			

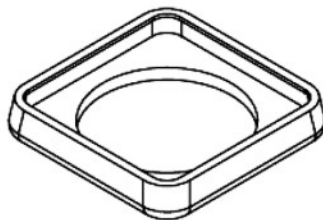
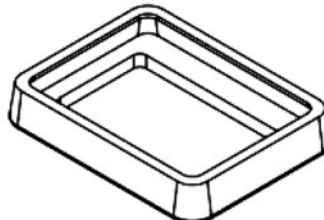
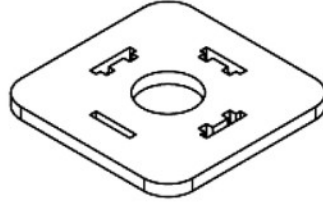
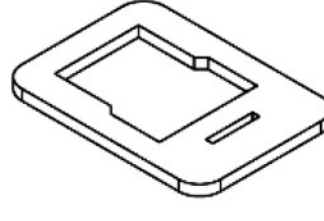
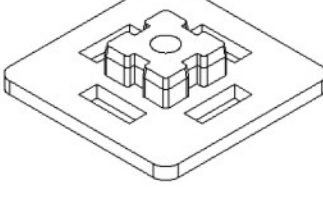
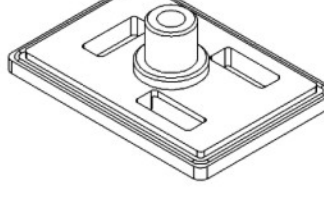
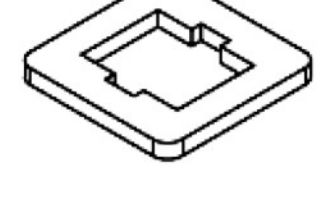
产品编号 Product No.	SB224	外形图 Outside View	插脚间距: 20mm 插脚形式: 3+1GND 防护等级: IP65 (IEC60529 正确安装情况下) 工作电压: AC250V DC300V 额定电流: 10A 接触电阻: $\leq 5m\Omega$ 安装螺钉: M3
产品型号 Product Type	F5公插座 (F5 Male Socket)		Distance: 20mm Form: 3+1GND Protection Class: IP65 (Proper installation) IEC 60529 Working Voltage: AC250V DC300V Nominal Current: 10A Contact resistance: $\leq 5m\Omega$ Fixing Screw: M3
			



产品编号 Product No.	SB208	外形图 Outside View	插脚间距: 9.4mm 插脚形式: 2+1GND 防护等级: IP65 (IEC60529 正确安装情况下) 工作电压: AC250V max. DC300V max. 额定电流: 10A 接触电阻: $\leq 5m\Omega$ 螺纹: PG7 适用电缆外径: $\varnothing 4mm$ 、 $\varnothing 5.5mm$ 安装螺钉: M3X25 可选电路: 无电路 AC: 1 DC: 1
产品型号 Product Type	110 3孔 (110 3-pin)		Distance: 9.4mm Form: 2+1GND Protection Class: IP65 (Proper installation) IEC 60529 Working Voltage: AC250V max. DC300V max. Nominal Current: 10A Contact resistance: $\leq 5m\Omega$ Thread: PG7 Cable Diameter: $\varnothing 4mm$ 、 $\varnothing 5.5mm$ Fixing Screw: M3X25 Selectable circuit: no circuit AC: 1 DC: 1
			

产品编号 Product No.	SB209	外形图 Outside View	插脚间距: 9.4mm 插脚形式: 3+1GND 防护等级: IP65 (IEC60529 正确安装情况下) 工作电压: AC250V max. DC300V max. 额定电流: 10A 接触电阻: $\leq 5m\Omega$ 螺纹: PG7 适用电缆外径: $\varnothing 4mm$ 、 $\varnothing 5.5mm$ 安装螺钉: M3X25 可选电路: 无电路 AC: 1 DC: 1
产品型号 Product Type	110 4孔 (110 4-pin)		Distance: 9.4mm Form: 3+1GND Protection Class: IP65 (Proper installation) IEC 60529 Working Voltage: AC250V max. DC300V max. Nominal Current: 10A Contact resistance: $\leq 5m\Omega$ Thread: PG7 Cable Diameter: $\varnothing 4mm$ 、 $\varnothing 5.5mm$ Fixing Screw: M3X25 Selectable circuit: no circuit AC: 1 DC: 1
			

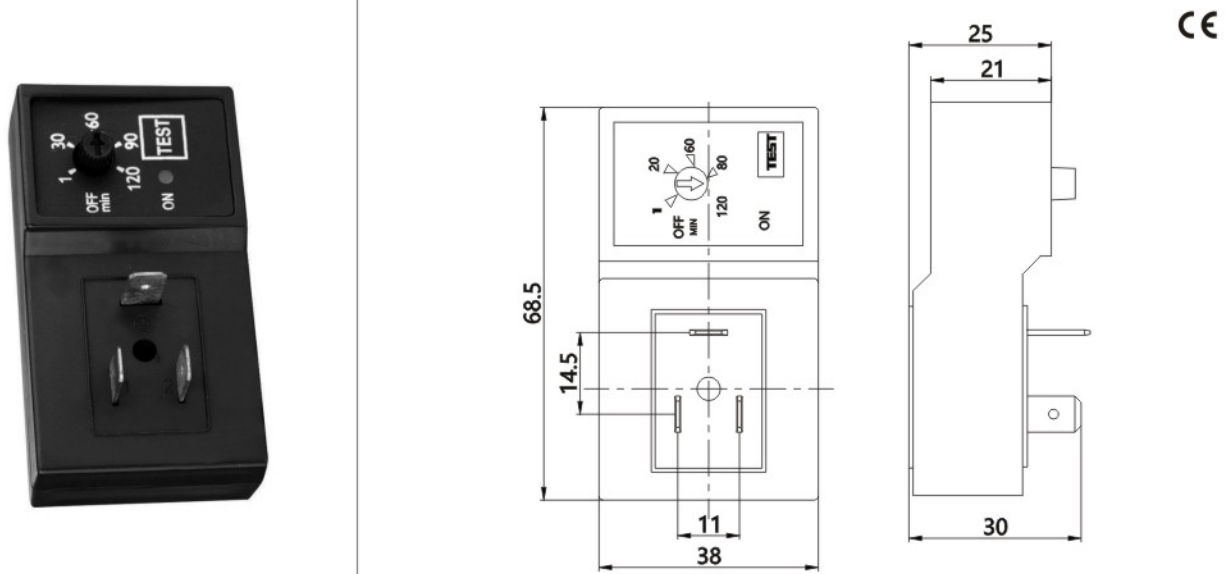
产品编号 Product No.	SB217-3	外形图 Outside View	插脚间距: 9.4mm 插脚形式: 2+1GND 防护等级: IP65 (IEC60529 正确安装情况下) 工作电压: AC250V max. DC300V max. 额定电流: 10A 接触电阻: $\leq 5m\Omega$ 安装螺钉: M3
产品型号 Product Type	110 公插座 (110 Male Socket)		Distance: 9.4mm Form: 2+1GND Protection Class: IP65 (Proper installation) IEC 60529 Working Voltage: AC250V max. DC300V max. Nominal Current: 10A Contact resistance: $\leq 5m\Omega$ Fixing Screw: M3
			


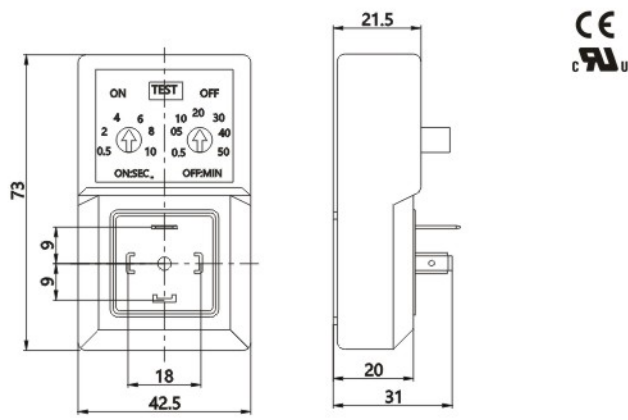
编号 No.	橡胶垫类型 Gasket Type	适配接线盒 For Connectors	编号 No.	橡胶垫类型 Gasket Type	适配接线盒 For Connectors
1		DIN43650A	5		工业B型 Industrial Form B
2		DIN43650A	6		工业B型 Industrial Form B
3		DIN43650A	7		工业B型 Industrial Form B
4		工业C型 Industrial Form C			


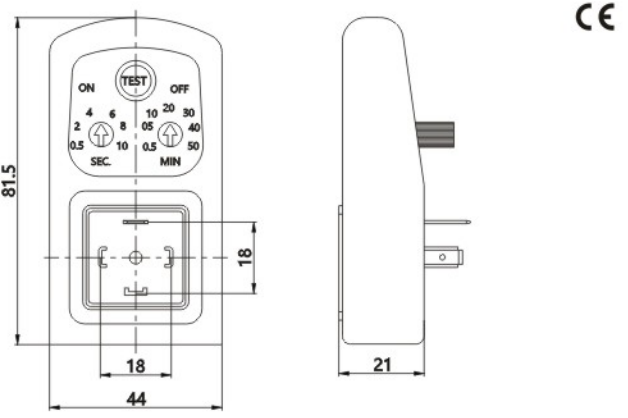
产品概述 Product Overview

我公司生产的定时器是一种使用芯片控制，根据设置在特定的时间段开启/关闭电源的产品。配备标准工业接口，方便与电磁阀直接连接提高IP等级。可以根据需要按时完成启动电磁阀或者关闭电磁阀的功能。例如压缩容器罐内废水废气的排放、需频繁通断的用电场合。如花圃、草坪的间歇喷灌、鱼缸的周期性增氧过滤、喷泉等场景。

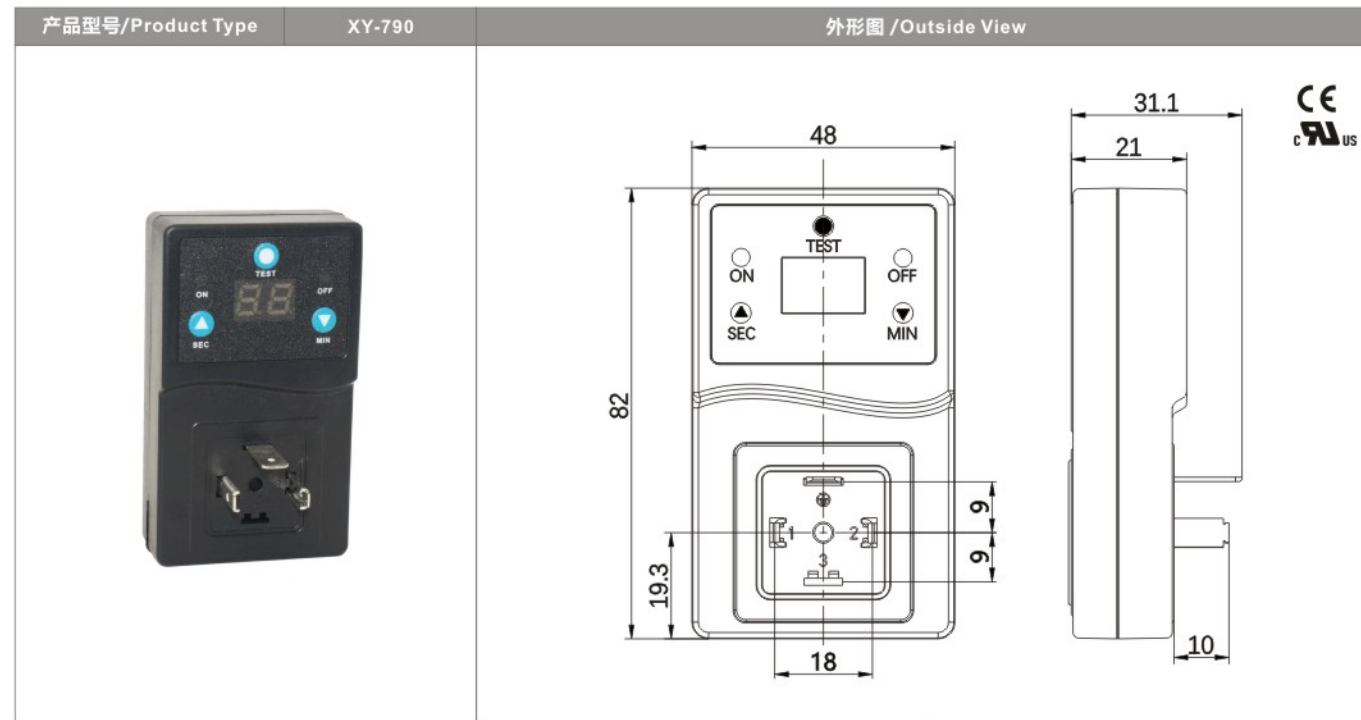
Our timer uses chip control to automatically turn power on or off at set times. It has a standard industrial interface for easy connection with solenoid valves and improved protection. Common applications include waste discharge from tanks, garden and lawn irrigation, aquarium aeration and filtration, and fountain control.

产品型号/Product Type		XY-11	外形图 /Outside View
			
输入 Input	电压范围 Voltage	24~240V AC/DC-50Hz/60Hz	
	消耗功率 Power	4mA max.	
输出 Output	输出形式 Form	MOS管输出 MOS output	
	输出模式 Model	先闭合再断开 Power on first, then off.	
	输出电流 Current	1A max.	
时间设定 Time setting	ON	2s	
	OFF	1min~120min	
环境温度 Ambient temperature	-10°C~+50°C		
防护等级 IP Grade	IP65 (正确安装) IP65 (Proper installation)		
指示 Indicators	红灯/Red LED		
手动 Manual override	Test		
电气接口 Connection	工业B型/Industrial Form B		

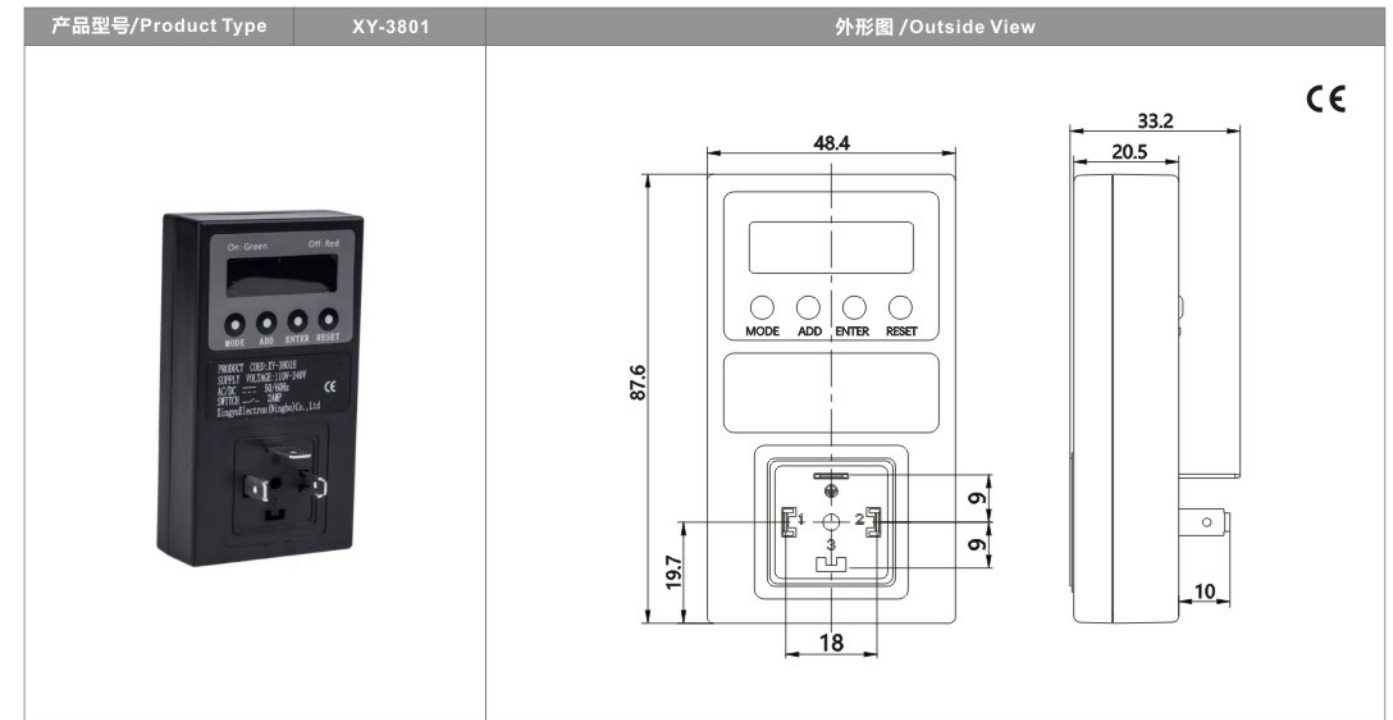
产品型号/Product Type	XY-720A	外形图 /Outside View
		

产品型号/Product Type	SMD-720	外形图 /Outside View
		

输入 Input	电压范围 Voltage	24~240V AC/DC-50Hz/60Hz	
	消耗功率 Power	4mA max.	
输出 Output	输出形式 Form	MOS管输出 MOS output	
	输出模式 Model	先闭合再断开 Power on first, then off.	
	输出电流 Current	1A max.	
时间设定 Time setting	ON	0.5s~10s	
	OFF	0.5min~45min	
环境温度 Ambient temperature	-10°C~+50°C		
防护等级 IP Grade	IP65 (正确安装) IP65 (Proper installation)		
指示 Indicators	黄灯/Yellow LED		
手动 Manual override	Test		
电气接口 Connection	DIN43650A		



产品型号/Product Type		XY-790H	XY-790L
输入 Input	电压范围 Voltage	110~240V AC/DC	7~36V AC/DC
	消耗功率 Power	10mA max.	20mA max.
输出 Output	输出形式 Form	MOS管输出 MOS output	继电器输出 Relay output
	输出模式 Model	先闭合再断开 Power on first, then off.	
	输出电流 Current	1.5A max.	
显示 Display	基本描述 Basic display	2位数码管显示时间数值, 2个LED开关指示 2 digital tube show the time value, 2 LED indicator	
	状态显示 Status display	秒状态, 数码管倒计时. 分钟状态右下小数点按秒跳数 Digital tube countdown, decimal point flashes every seconds	
	调整模式 Adjust mode	更改数据时相应状态指示灯闪烁 The corresponding status indicator flashes when changing data	
时间设定 Time setting	ON	0.1~99s	
	OFF	0.5~99min	
防护等级 IP Grade	IP65 (正确安装) IP65 (Proper installation)		
电气接口 Connection	DIN43650A		
绝缘电压 Insulation voltage	1000VAC 1min		
绝缘电阻 Insulation resistance	50MΩ(500VDC)		
耐冲击 Impact resistance	最大100m/s <sup>2</sup> , 3轴方向各3次 MAX 100m/s <sup>2</sup> each 3 axis and 6 direction for 3 times		
环境温度 Ambient temperature	使用环境温度 -10°C~70°C, 贮存环境温度 -20°C~80°C Working: -10°C~70°C, storage: -20°C~80°C		
环境湿度 Ambient humidity	使用环境湿度35%RH~90%RH Operating humidity: 35%RH to 90%RH		



产品型号/Product Type		XY-3801H	XY-3801L
输入 Input	电压范围 Voltage	110~240V AC/DC	7~36V AC/DC
	消耗功率 Power	10mA max.	20mA max.
输出 Output	输出形式 Form	继电器输出 Relay output	
	输出模式 Model	先开、先闭、单次 Initial ON, Initial OFF, One-time mode	
	输出电流 Current	1.5A max.	
显示 Display	基本描述 Basic display	4位LCD显示数值 LCD display	
	状态显示 Status display	背光绿色→开关ON, 背光红色→开关 Green→ON, Red→OFF	
	调整模式 Adjust mode	LCD数值闪烁 LCD value flickering	
时间设定 Time setting	ON	1s~99h 59min 59s	
	OFF	1s~99h 59min 59s	
防护等级 IP Grade	IP65 (正确安装) IP65 (Proper installation)		
电气接口 Connection	DIN43650A		
绝缘电压 Insulation voltage	1000VAC 1min		
绝缘电阻 Insulation resistance	50MΩ(500VDC)		
耐冲击 Impact resistance	最大100m/s <sup>2</sup> , 3轴方向各3次 MAX 100m/s <sup>2</sup> each 3 axis and 6 direction for 3 times		
环境温度 Ambient temperature	使用环境温度 -10°C~70°C, 贮存环境温度 -20°C~80°C Working: -10°C~70°C, storage: -20°C~80°C		
环境湿度 Ambient humidity	使用环境湿度35%RH~90%RH Operating humidity: 35%RH to 90%RH		

产品概述 Product Overview

- 1、特别选用高导磁、低剩磁、耐腐蚀材料制作动、静铁芯。
- 2、隔磁管由铜管或不锈钢无缝管制作。
- 3、密封材料可根据您的不同要求选用耐温级、耐油级和食品级等。
- 4、有常开、常闭、交流、直流等多种不同规格供选用。
- 5、本册为本公司具有代表性之简明说明，未列出全部产品，部分产品为客户定制，详情敬请垂询。

1. Specially using High Magnetic Permeability, Low Remanence, Corrosion-Resistant Material for iron core.
2. Using copper tube or stainless steel tube as the Magnetic Isolation Tube.
3. Sealing Material can be selected according to requirements (temperature-resistant, oil-resistant, food-grade, etc.).
4. Available in Normally Open (NO), Normally Closed (NC), AC/DC configurations.
5. This brochure provides a concise overview of our representative products. Not all products are listed, and some are custom-made for clients. For more details, please feel free to contact us.

可选橡胶件/Optional Rubber Parts

材质 Material	物性等级 Physical Property Class								
	耐寒性 Cold Resistance	耐热 Heat Resistance	耐化学品性 Chemical Resistance	耐油性 Oil Resistance	密水性 Water Density	耐水蒸气性 Steam Resistance	耐酸性 Acid Resistance	耐碱性 Alkali Resistance	抗燃性 Flame Resistance
丁腈橡胶 NBR	-5°C	100°C	普通 Normal	特佳 Best	佳 Good	差 Poor	普通 Normal	佳 Good	差 Poor
氯化丁腈橡胶 HNBR	-10°C	180°C	特佳 Best	特佳 Best	佳 Good	普通 Normal	特佳 Best	佳 Good	特佳 Best
氟橡胶 FKM	-20°C	120°C	佳 Good	特佳 Best	佳 Good	普通 Normal	佳 Good	特佳 Best	差 Poor

外径Ø8mm系列/Outer Diameter Ø8mm Series

产品编号 Product No.	SB6601	外形图 Outside View	安装方式 Installation Method	压板式 Clamp Mount
产品型号 Product Type	SB601B		动作类型 Action Type	3/2 NC
			动作方式 Operation Method	直动式 Direct Acting Type
			进气方式 Air Supply Mode	阀口进气 Port Inlet
			介质 Medium	压缩空气 Compressed Air
			适用通径 Orifice	Ø0.9mm
			工作压力 Working Pressure	0~8bar
			耐压强度 Compression resistance	12bar
			适用线圈案例 Applicable Coils	4V110 Series

外径Ø8mm系列/Outer Diameter Ø8mm Series

产品编号 Product No.	SB6602	外形图 Outside View	安装方式 Installation Method	压板式 Clamp Mount
产品型号 Product Type	SB602		动作类型 Action Type	2/2 NC
			动作方式 Operation Method	直动式 Direct Acting Type
			进气方式 Air Supply Mode	侧向进气 Side Port Inlet
			介质 Medium	压缩空气 Compressed Air
			适用通径 Orifice	Ø1mm
			工作压力 Working Pressure	0.5~7bar
			耐压强度 Compression resistance	10.5bar
			适用线圈案例 Applicable Coils	4V110 Series

产品编号 Product No.	SB6697	外形图 Outside View	安装方式 Installation Method	螺纹式 Thread Type
产品型号 Product Type	K52-C		动作类型 Action Type	3/2 NC
			动作方式 Operation Method	直动式 Direct Acting Type
			进气方式 Air Supply Mode	阀口进气 Port Inlet
			介质 Medium	压缩空气 Compressed Air
			适用通径 Orifice	Ø0.9mm
			工作压力 Working Pressure	0~10bar
			耐压强度 Compression resistance	15bar
			适用线圈案例 Applicable Coils	4V110 Series

产品编号 Product No.	08210	外形图 Outside View	安装方式 Installation Method	压板式 Clamp Mount
产品型号 Product Type	08210		动作类型 Action Type	3/2 NC
			动作方式 Operation Method	直动式 Direct Acting Type
			进气方式 Air Supply Mode	阀口进气 Port Inlet
			介质 Medium	压缩空气 Compressed Air
			适用通径 Orifice	Ø0.9mm
			工作压力 Working Pressure	0~10bar
			耐压强度 Compression resistance	15bar
			适用线圈案例 Applicable Coils	08210 Series

➤ 外径Ø8mm系列/Outer Diameter Ø8mm Series

产品编号 Product No.	SB605-8	外形图 Outside View	安装方式 Installation Method	螺纹式 Thread Type
产品型号 Product Type	08210-A		动作类型 Action Type	3/2 NC
			动作方式 Operation Method	直动式 Direct Acting Type
			进气方式 Air Supply Mode	阀口进气 Port Inlet
			介质 Medium	压缩空气 Compressed Air
			适用通径 Orifice	Ø0.9mm
			工作压力 Working Pressure	0~10bar
			耐压强度 Compression resistance	15bar
			适用线圈案例 Applicable Coils	08210 Series

➤ 外径Ø9mm系列/Outer Diameter Ø9mm Series

产品编号 Product No.	SB6604	外形图 Outside View	安装方式 Installation Method	压板式 Clamp Mount
产品型号 Product Type	SB604		动作类型 Action Type	2/2 NC
			动作方式 Operation Method	直动式 Direct Acting Type
			进气方式 Air Supply Mode	侧向进气 Side Port Inlet
			介质 Medium	压缩空气 Compressed Air
			适用通径 Orifice	Ø2mm
			工作压力 Working Pressure	0.5~16bar
			耐压强度 Compression resistance	24bar
			适用线圈案例 Applicable Coils	4V210 Series

➤ 外径Ø9mm系列/Outer Diameter Ø9mm Series

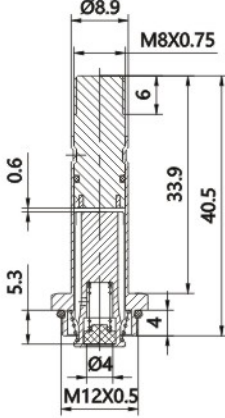

产品编号 Product No.	SB6603	外形图 Outside View	安装方式 Installation Method	压板式 Clamp Mount
产品型号 Product Type	SB603/210		动作类型 Action Type	3/2 NC
			动作方式 Operation Method	直动式 Direct Acting Type
			进气方式 Air Supply Mode	阀口进气 Port Inlet
			介质 Medium	压缩空气 Compressed Air
			适用通径 Orifice	Ø1.1mm
			工作压力 Working Pressure	0~8bar
			耐压强度 Compression resistance	12bar
			适用线圈案例 Applicable Coils	4V210 Series

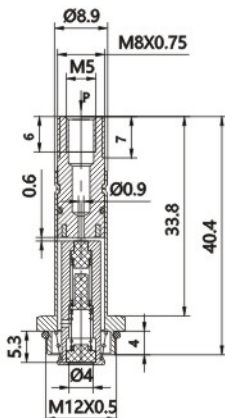

产品编号 Product No.	SB6603	外形图 Outside View	安装方式 Installation Method	压板式 Clamp Mount
产品型号 Product Type	SB603CK		动作类型 Action Type	3/2 NO
			动作方式 Operation Method	直动式 Direct Acting Type
			进气方式 Air Supply Mode	顶部进气 Top Port Inlet
			介质 Medium	压缩空气 Compressed Air
			工作压力 Working Pressure	0~10bar
			耐压强度 Compression resistance	15bar
			适用线圈案例 Applicable Coils	4V210 Series

产品编号 Product No.	SB6603	外形图 Outside View	安装方式 Installation Method	压板式 Clamp Mount
产品型号 Product Type	SB603/210-A		动作类型 Action Type	3/2 NC
			动作方式 Operation Method	直动式 Direct Acting Type
			进气方式 Air Supply Mode	阀口进气 Port Inlet
			介质 Medium	压缩空气 Compressed Air
			适用通径 Orifice	Ø1.1mm
			工作压力 Working Pressure	0~10bar
			耐压强度 Compression resistance	15bar
			适用线圈案例 Applicable Coils	4V210 Series

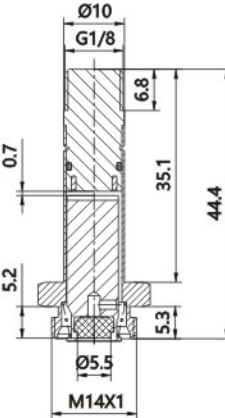

产品编号 Product No.	SB6605	外形图 Outside View	安装方式 Installation Method	螺纹式 Thread Type
产品型号 Product Type	SB605		动作类型 Action Type	3/2 NC
			动作方式 Operation Method	直动式 Direct Acting Type
			进气方式 Air Supply Mode	阀口进气 Port Inlet
			介质 Medium	压缩空气 Compressed Air
			适用通径 Orifice	Ø1.1mm
			工作压力 Working Pressure	0~8bar
			耐压强度 Compression resistance	12bar
			适用线圈案例 Applicable Coils	4V210 Series

➤ 外径Ø9mm系列/Outer Diameter Ø9mm Series

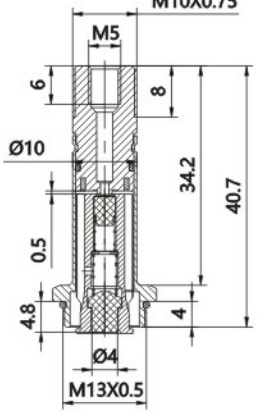

产品编号 Product No.	SB6606	外形图 Outside View	安装方式 Installation Method	螺纹式 Thread Type
产品型号 Product Type	SB606		动作类型 Action Type	2/2 NC
			动作方式 Operation Method	直动式 Direct Acting Type
			进气方式 Air Supply Mode	侧向进气 Side Port Inlet
			介质 Medium	压缩空气 Compressed Air
			适用通径 Orifice	Ø2mm
			工作压力 Working Pressure	0~8bar
			耐压强度 Compression resistance	12bar
			适用线圈案例 Applicable Coils	4V210 Series

产品编号 Product No.	SB6605	外形图 Outside View	安装方式 Installation Method	螺纹式 Thread Type
产品型号 Product Type	SB605CK		动作类型 Action Type	3/2 NO
			动作方式 Operation Method	直动式 Direct Acting Type
			进气方式 Air Supply Mode	顶部进气 Top Port Inlet
			介质 Medium	压缩空气 Compressed Air
			工作压力 Working Pressure	0~10bar
			耐压强度 Compression resistance	15bar
			适用线圈案例 Applicable Coils	4V210 Series

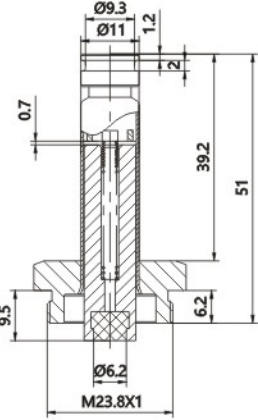

➤ 外径Ø10mm系列/Outer Diameter Ø10mm Series

产品编号 Product No.	SB6632	外形图 Outside View	安装方式 Installation Method	螺纹式 Thread Type
产品型号 Product Type	XY1030-AR		动作类型 Action Type	2/2 NC
			动作方式 Operation Method	直动式 Direct Acting Type
			进气方式 Air Supply Mode	侧向进气 Side Port Inlet
			介质 Medium	压缩空气 Compressed Air
			适用通径 Orifice	Ø2.95mm
			工作压力 Working Pressure	0.5~6bar
			耐压强度 Compression resistance	9bar
			适用线圈案例 Applicable Coils	SB285 XY1030

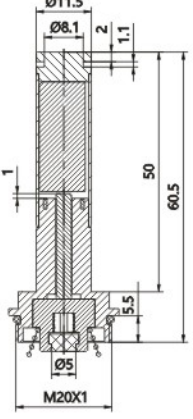

➤ 外径Ø10mm系列/Outer Diameter Ø10mm Series

产品编号 Product No.	SB6854	外形图 Outside View	安装方式 Installation Method	螺纹式 Thread Type
产品型号 Product Type	XT10342		动作类型 Action Type	3/2 NC
			动作方式 Operation Method	直动式 Direct Acting Type
			进气方式 Air Supply Mode	阀口进气 Port Inlet
			介质 Medium	压缩空气 Compressed Air
			适用通径 Orifice	Ø1.4mm
			工作压力 Working Pressure	0~10bar
			耐压强度 Compression resistance	15bar
			适用线圈案例 Applicable Coils	SB754 XY210-10

➤ 外径Ø11mm系列/Outer Diameter Ø11mm Series

产品编号 Product No.	SB6630	外形图 Outside View	安装方式 Installation Method	螺纹式 Thread Type
产品型号 Product Type	A044		动作类型 Action Type	2/2 NC
			动作方式 Operation Method	直动式 Direct Acting Type
			进气方式 Air Supply Mode	阀口进气 Port Inlet
			介质 Medium	压缩空气 Compressed Air
			适用通径 Orifice	Ø2.5mm
			工作压力 Working Pressure	0~8bar
			耐压强度 Compression resistance	15bar
			适用线圈案例 Applicable Coils	SB254 A044

➤ 外径Ø11.5mm系列/Outer Diameter Ø11.5mm Series

产品编号 Product No.	SB6855	外形图 Outside View	安装方式 Installation Method	螺纹式 Thread Type
产品型号 Product Type	XT11464		动作类型 Action Type	2/2 NO
			动作方式 Operation Method	直动式 Direct Acting Type
			进气方式 Air Supply Mode	侧向进气 Side Port Inlet
			介质 Medium	压缩空气 Compressed Air
			适用通径 Orifice	Ø2mm
			工作压力 Working Pressure	2~15bar
			耐压强度 Compression resistance	22.5bar
			适用线圈案例 Applicable Coils	SB771 XY11403

➤ 外径Ø12mm系列/Outer Diameter Ø12mm Series

产品编号 Product No.	SB6638	外形图 Outside View	安装方式 Installation Method	压板式 Clamp Mount
产品型号 Product Type	CY123		动作类型 Action Type	2/2 NC
			动作方式 Operation Method	直动式 Direct Acting Type
			进气方式 Air Supply Mode	侧向进气 Side Port Inlet
			介质 Medium	压缩空气 Compressed Air
			适用通径 Orifice	Ø3mm
			工作压力 Working Pressure	3~8bar
			耐压强度 Compression resistance	15bar
			适用线圈案例 Applicable Coils	SB461 XY123A

➤ 外径Ø13mm系列/Outer Diameter Ø13mm Series

产品编号 Product No.	SB6614	外形图 Outside View	安装方式 Installation Method	卡簧式 Snap Ring Type
产品型号 Product Type	0927-卡簧式		动作类型 Action Type	2/2 NC
			动作方式 Operation Method	直动式 Direct Acting Type
			进气方式 Air Supply Mode	侧向进气 Side Port Inlet
			介质 Medium	压缩空气 Compressed Air
			适用通径 Orifice	Ø2.8
			工作压力 Working Pressure	0~8bar
			耐压强度 Compression resistance	12bar
			适用线圈案例 Applicable Coils	SB050 0200

➤ 外径Ø13mm系列/Outer Diameter Ø13mm Series

产品编号 Product No.	SB6856	外形图 Outside View	安装方式 Installation Method	螺纹式 Thread Type
产品型号 Product Type	XT13415		动作类型 Action Type	3/2 NO
			动作方式 Operation Method	直动式 Direct Acting Type
			进气方式 Air Supply Mode	顶部进气 Top Port Inlet
			介质 Medium	压缩空气 Compressed Air
			工作压力 Working Pressure	0~15bar
			耐压强度 Compression resistance	22.5bar
			适用线圈案例 Applicable Coils	SB547 0200D

产品编号 Product No.	SB6615	外形图 Outside View	安装方式 Installation Method	螺纹式 Thread Type
产品型号 Product Type	0927-螺纹式		动作类型 Action Type	2/2 NC
			动作方式 Operation Method	直动式 Direct Acting Type
			进气方式 Air Supply Mode	侧向进气 Side Port Inlet
			介质 Medium	压缩空气 Compressed Air
			适用通径 Orifice	Ø3
			工作压力 Working Pressure	0~12bar
			耐压强度 Compression resistance	18bar
			适用线圈案例 Applicable Coils	SB051 0200B

产品编号 Product No.	SB6856	外形图 Outside View	安装方式 Installation Method	螺纹式 Thread Type
产品型号 Product Type	XT13415B		动作类型 Action Type	3/2 NC
			动作方式 Operation Method	直动式 Direct Acting Type
			进气方式 Air Supply Mode	阀口进气 Port Inlet
			介质 Medium	压缩空气 Compressed Air
			适用通径 Orifice	Ø1.2mm
			工作压力 Working Pressure	0~20bar
			耐压强度 Compression resistance	30bar
			适用线圈案例 Applicable Coils	SB547 0200D

产品编号 Product No.	SB6613	外形图 Outside View	安装方式 Installation Method	压板式 Clamp Mount
产品型号 Product Type	SB613B		动作类型 Action Type	3/2 NC
			动作方式 Operation Method	直动式 Direct Acting Type
			进气方式 Air Supply Mode	阀口进气 Port Inlet
			介质 Medium	压缩空气 Compressed Air
			适用通径 Orifice	Ø1.8mm
			工作压力 Working Pressure	0~8bar
			耐压强度 Compression resistance	12bar
			适用线圈案例 Applicable Coils	SB050 0200

➤ 外径Ø14mm系列/Outer Diameter Ø14mm Series

产品编号 Product No.	SB6631	外形图 Outside View	安装方式 Installation Method	卡簧式 Snap Ring Type
产品型号 Product Type	A051-AC		动作类型 Action Type	2/2 NC
			动作方式 Operation Method	直动式 Direct Acting Type
			进气方式 Air Supply Mode	阀口进气 Port Inlet
			介质 Medium	压缩空气 Compressed Air
			适用通径 Orifice	Ø2.8mm
			工作压力 Working Pressure	3~8bar
			耐压强度 Compression resistance	15bar
			适用线圈案例 Applicable Coils	SB255 A051

➤ 外径Ø14.5mm系列/Outer Diameter Ø14.5mm Series

产品编号 Product No.	RV23015-B	外形图 Outside View	安装方式 Installation Method	螺纹式 Thread Type
产品型号 Product Type			动作类型 Action Type	3/2 NC
			动作方式 Operation Method	直动式 Direct Acting Type
			进气方式 Air Supply Mode	阀口进气 Port Inlet
			介质 Medium	压缩空气、水 Compressed Air or water
			适用通径 Orifice	Ø1.5mm
			工作压力 Working Pressure	0~15bar
			耐压强度 Compression resistance	22.5bar
			适用线圈案例 Applicable Coils	SB243 XM148

➤ 外径Ø14.5mm系列/Outer Diameter Ø14.5mm Series

产品编号 Product No.	SB6620	外形图 Outside View	安装方式 Installation Method	螺纹式 Thread Type
产品型号 Product Type	CS-720		动作类型 Action Type	2/2 NC
			动作方式 Operation Method	直动式 Direct Acting Type
			进气方式 Air Supply Mode	侧向进气 Side Port Inlet
			介质 Medium	压缩空气 Compressed Air
			适用通径 Orifice	Ø3.5mm
			工作压力 Working Pressure	0.5~16bar
			耐压强度 Compression resistance	24bar
			适用线圈案例 Applicable Coils	SB256 0543

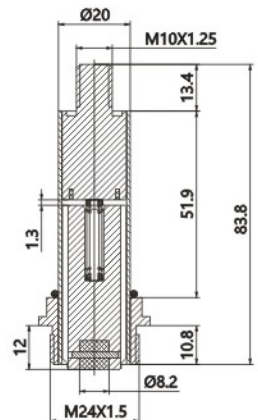

产品编号 Product No.	SB6634	外形图 Outside View	安装方式 Installation Method	螺纹式 Thread Type
产品型号 Product Type	FX04H		动作类型 Action Type	2/2 NC
			动作方式 Operation Method	直动式 Direct Acting Type
			进气方式 Air Supply Mode	侧向进气 Side Port Inlet
			介质 Medium	压缩空气 Compressed Air
			适用通径 Orifice	Ø1mm
			工作压力 Working Pressure	0.5~350bar
			耐压强度 Compression resistance	450bar
			适用线圈案例 Applicable Coils	SB257 0545

产品编号 Product No.	RV22020-B	外形图 Outside View	安装方式 Installation Method	螺纹式 Thread Type
产品型号 Product Type			动作类型 Action Type	2/2 NC
			动作方式 Operation Method	直动式 Direct Acting Type
			进气方式 Air Supply Mode	侧向进气 Side Port Inlet
			介质 Medium	压缩空气、水 Compressed Air or water
			适用通径 Orifice	Ø2mm
			工作压力 Working Pressure	0.5~10bar
			耐压强度 Compression resistance	15bar
			适用线圈案例 Applicable Coils	SB243 XM148

➤ 外径Ø16mm系列/Outer Diameter Ø16mm Series

产品编号 Product No.	2W160-15XY	外形图 Outside View	安装方式 Installation Method	螺纹式 Thread Type
产品型号 Product Type			动作类型 Action Type	2/2 NC
			动作方式 Operation Method	直动式 Direct Acting Type
			进气方式 Air Supply Mode	侧向进气 Side Port Inlet
			介质 Medium	压缩空气 Compressed Air
			适用通径 Orifice	Ø2.5mm
			工作压力 Working Pressure	1~10bar
			耐压强度 Compression resistance	15bar
			适用线圈案例 Applicable Coils	SB260 AB510

➤ 外径Ø20mm系列/Outer Diameter Ø20mm Series

产品编号 Product No.	外形图 Outside View	安装方式 Installation Method	螺纹式 Thread Type
XY472-A		动作类型 Action Type	2/2 NC
产品型号 Product Type		动作方式 Operation Method	直动式 Direct Acting Type
		进气方式 Air Supply Mode	侧向进气 Side Port Inlet
		介质 Medium	压缩空气 Compressed Air
		适用通径 Orifice	Ø2mm
		工作压力 Working Pressure	1~20bar
		耐压强度 Compression resistance	30bar
		适用线圈案例 Applicable Coils	SB298 XY20553